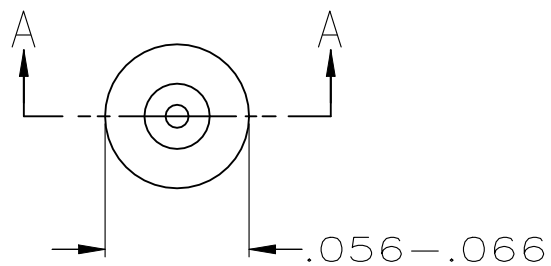


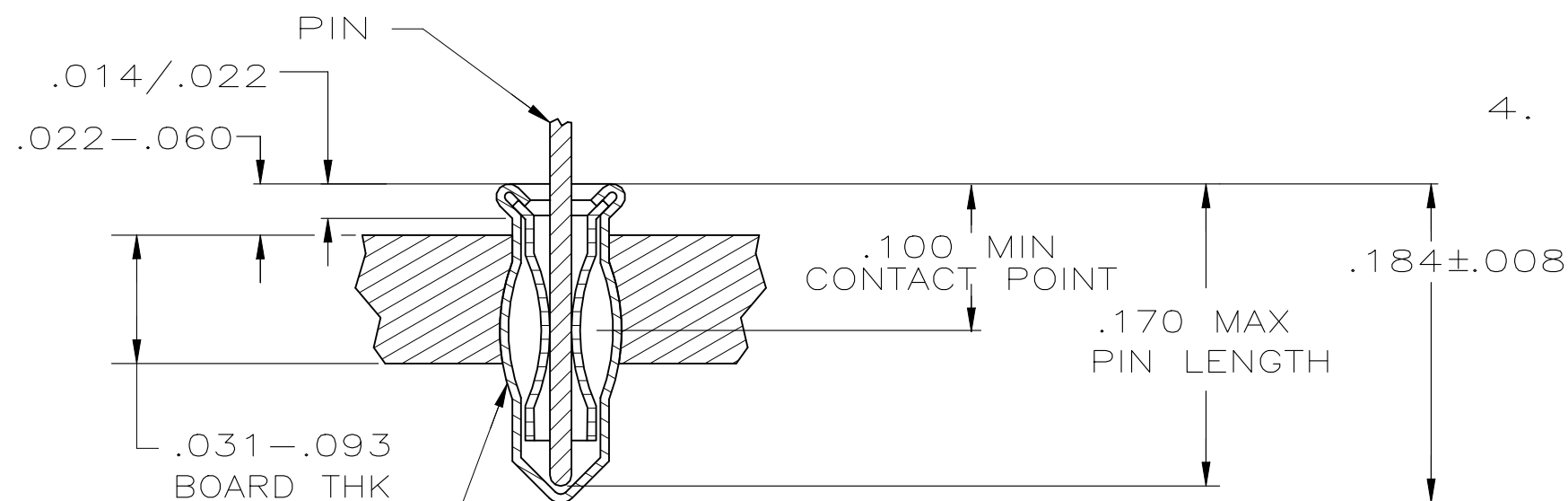
P	LTR	DESCRIPTION	DATE	DWN	APVD
	F3	REVISED AS PER ECR-24-199424	05FEB2024	NR	JK



- MATERIAL:  
EYELET - COPPER (QQ-C-576)  
SPRING - BERYLLIUM COPPER (QQ-C-533)
- PLATING:  
TIN (MIL-T-10727) .000150 MIN THK  
GOLD (MIL-G-45204) .000030 MIN THK OVER NICKEL (QQ-N-290) .000011 MIN THK ON CONTACT AREA.

3. TO INSURE 1/2 OZ MIN RETENTION DO NOT EXCEED .004 DIFFERENCE IN PIN DIA WHEN CHANGING TO A SMALLER DIA PIN

4. HOLE SIZE FOR HAND INSERTION 0.043-0.046



INSERTION MACHINE CAPABLE OF OVALIZING SOCKET FOR RETENTION IN PC BOARD WITH .042±.003 DIA HOLE PRIOR TO SOLDERING OPERATION.

SECTION A-A

OBSOLETE	.100/.170	.012/.021	GOLD	TIN	645946-2
			TIN		645946-1
	LENGTH	DIA $\Delta$ 3	SPRING	EYELET	PART NO
	PIN		FINISH		
	NO. 1 SERIES LONG				

THIS DRAWING IS A CONTROLLED DOCUMENT.		DWN M. BOWERS 12-10-82	<b>STE</b> TE Connectivity		
DIMENSIONS: INCHES		CHK P. MUTZABAUGH 6-10-85			
TOLERANCES UNLESS OTHERWISE SPECIFIED:		APVD G.D. MILLER 6-10-85	NAME MINIATURE SPRING SOCKET ASSEMBLY		
0 PLC ± -		PRODUCT SPEC			
1 PLC ± -		APPLICATION SPEC			
2 PLC ± -		WEIGHT 0.000000	SIZE A3	CAGE CODE 00779	DRAWING NO C-645946
3 PLC ± -		MATERIAL -	RESTRICTED TO -		
4 PLC ± -			CUSTOMER DRAWING		
ANGLES ± -		SCALE NTS		SHEET 1 OF 1	REV F3
FINISH -					