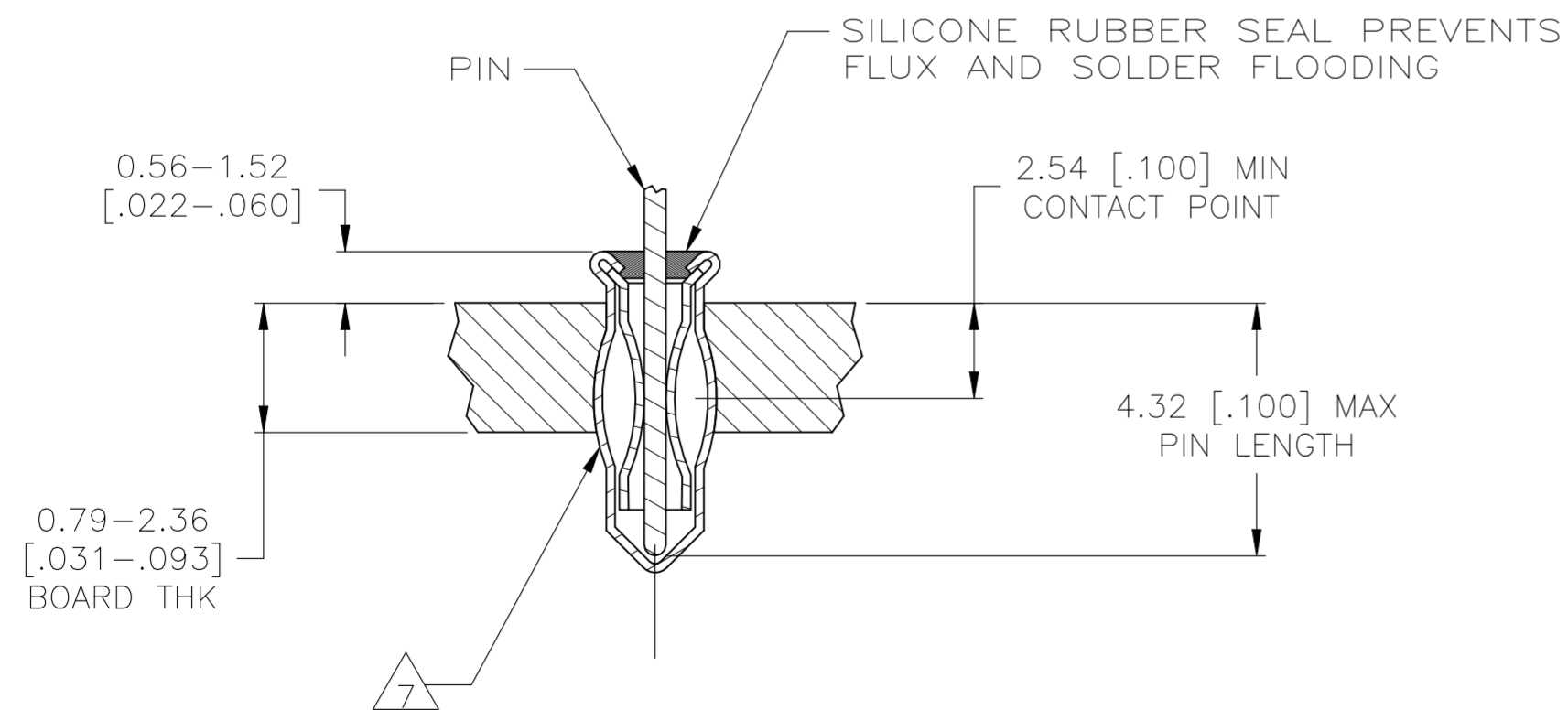
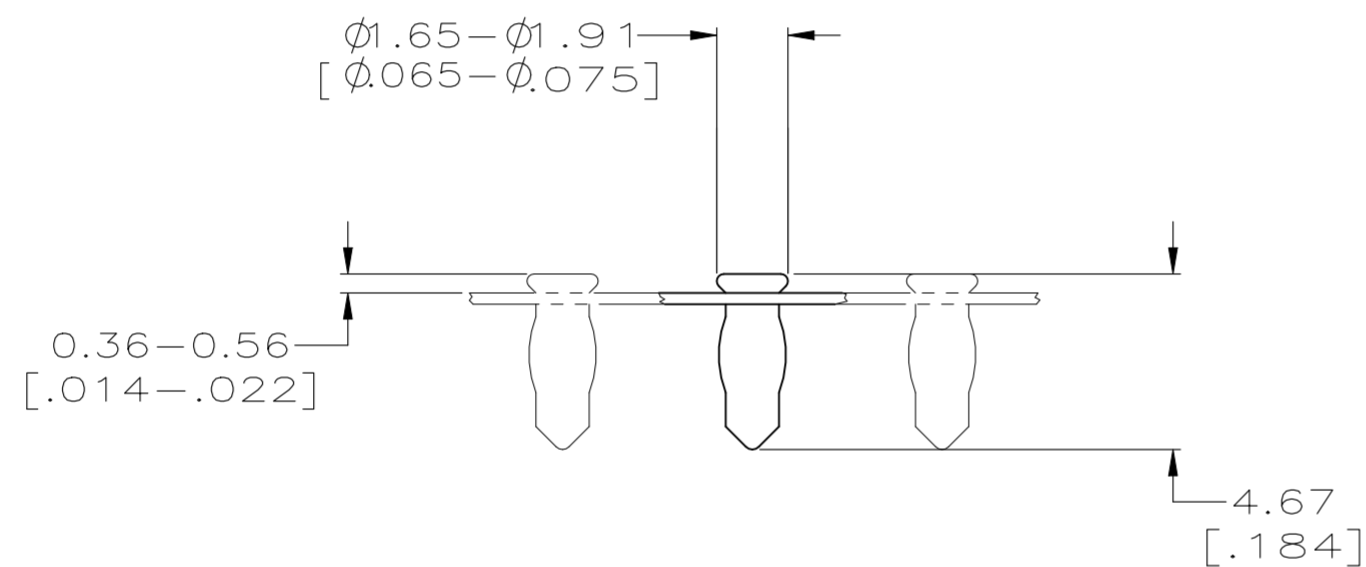
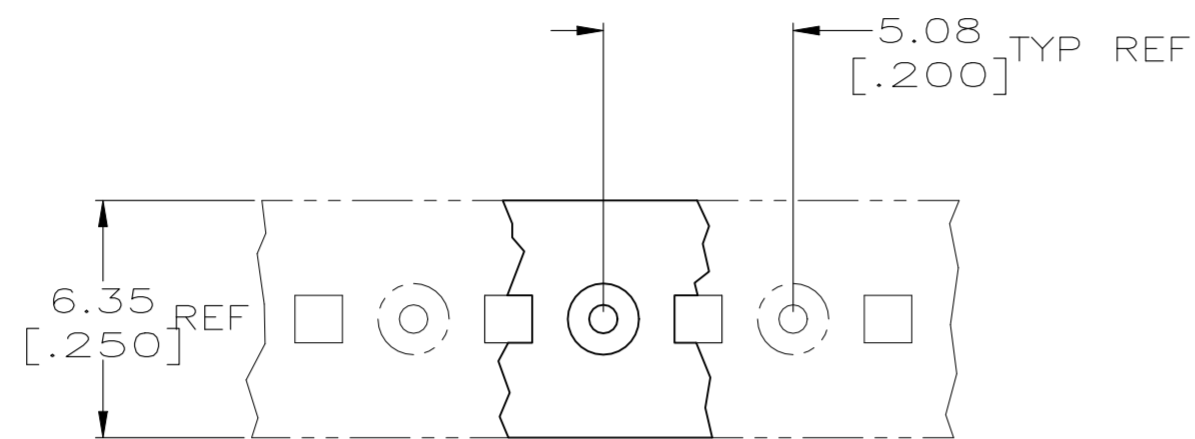


REVISIONS					
P	LTR	DESCRIPTION	DATE	DWN	APVD
	K3	REVISED AS PER ECR-24-199424	07FEB2024	NR	JK



- 1 MATERIAL:
EYELET - COPPER (QQ-C-576)
SPRING - BERYLLIUM COPPER (QQ-C-533)
SEALANT - SILICONE RUBBER
- 2 TIN PLATE (MIL-T-10727)0.00381 [.000150] MIN THK.
- 3 TIN PLATE(MIL-T-10727)0.00254 [.000100] MIN THK.
- 4 GOLD PL(MIL-G-45204)0.00076 [.000030] MIN THK ON CONTACT AREA.
- 5 PACKAGED 50,000 PER REEL
- 6 TO INSURE 1/2 OZ MIN RETENTION DO NOT EXCEED 0.10 [.004] DIFFERENCE IN PIN DIA WHEN CHANGING TO A SMALLER DIA PIN
- 7 PRODUCT IS OVALIZED FOR RETENTION IN THE P.C. BOARD. THE RECOMMENDED HOLE DIAMETER IS 1.32 [0.052] MINIMUM, +0.08 [.003] MAX. PRIOR TO SOLDERING.
- 8 TIN-LEAD PLATE 0.00381 [.000150] MIN THK.
- 9 PACKAGED 10,000 PER REEL

	2.54-4.32 [.100-.170]	0.36-0.66 [0.014-0.026]	GOLD 4	TIN 2	9 1-645955-2
	2.54-4.32 [.100-.170]	0.36-0.66 [0.014-0.026]	TIN 3	TIN 2	9 1-645955-1
	2.54-4.32 [.100-.170]	0.36-0.66 [0.014-0.026]	GOLD 4	TIN 8	5 645955-3
OBSOLETE	2.54-4.32 [.100-.170]	0.36-0.66 [0.014-0.026]	GOLD 4	TIN 2	5 645955-2
OBSOLETE	2.54-4.32 [.100-.170]	0.36-0.66 [0.014-0.026]	TIN 3	TIN 2	5 645955-1
	LENGTH	DIA 6	SPRING	EYELET	PART NO.

THIS DRAWING IS A CONTROLLED DOCUMENT.		DWN M.BOWERS 12-20-82	TE TE Connectivity		
DIMENSIONS: mm [INCHES]		CHK P.MUTZABAUGH 6-10-85			
TOLERANCES UNLESS OTHERWISE SPECIFIED:		APVD G.D. MILLER 6-10-85	NAME		
0 PLC ± -		PRODUCT SPEC	MINIATURE SPRING SOCKET ASSY		
1 PLC ± -		APPLICATION SPEC	SERIES 2 LONG		
2 PLC ± -		114-26004	SIZE	CAGE CODE	DRAWING NO
3 PLC ± 0.20[.008]		WEIGHT 0.000000	A2	00779	C=645955
4 PLC ± -		CUSTOMER DRAWING	SCALE	SHEET	REV
ANGLES ± -			NONE	1 OF 1	K3
MATERIAL 1		FINISH SEE TABLE	RESTRICTED TO		