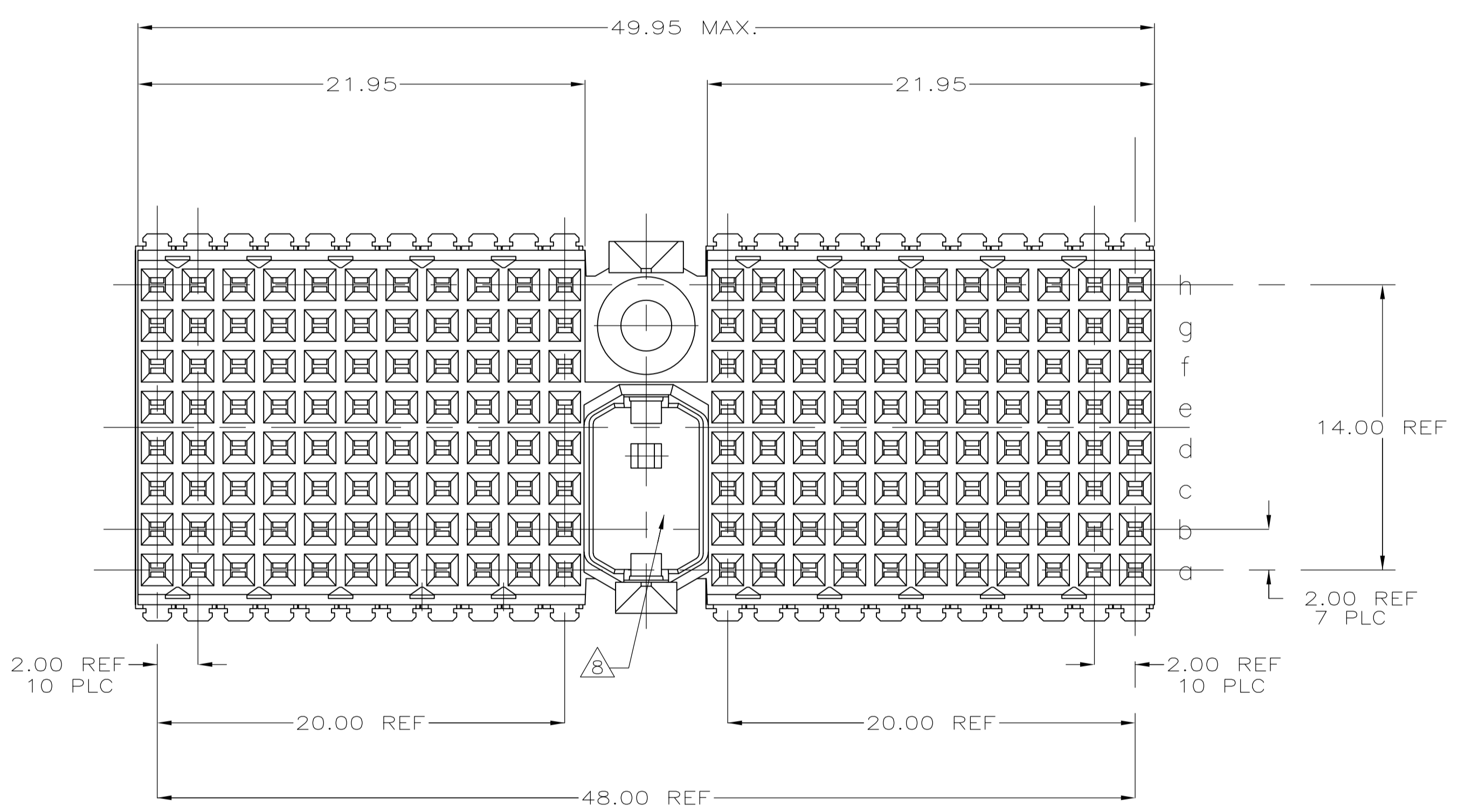
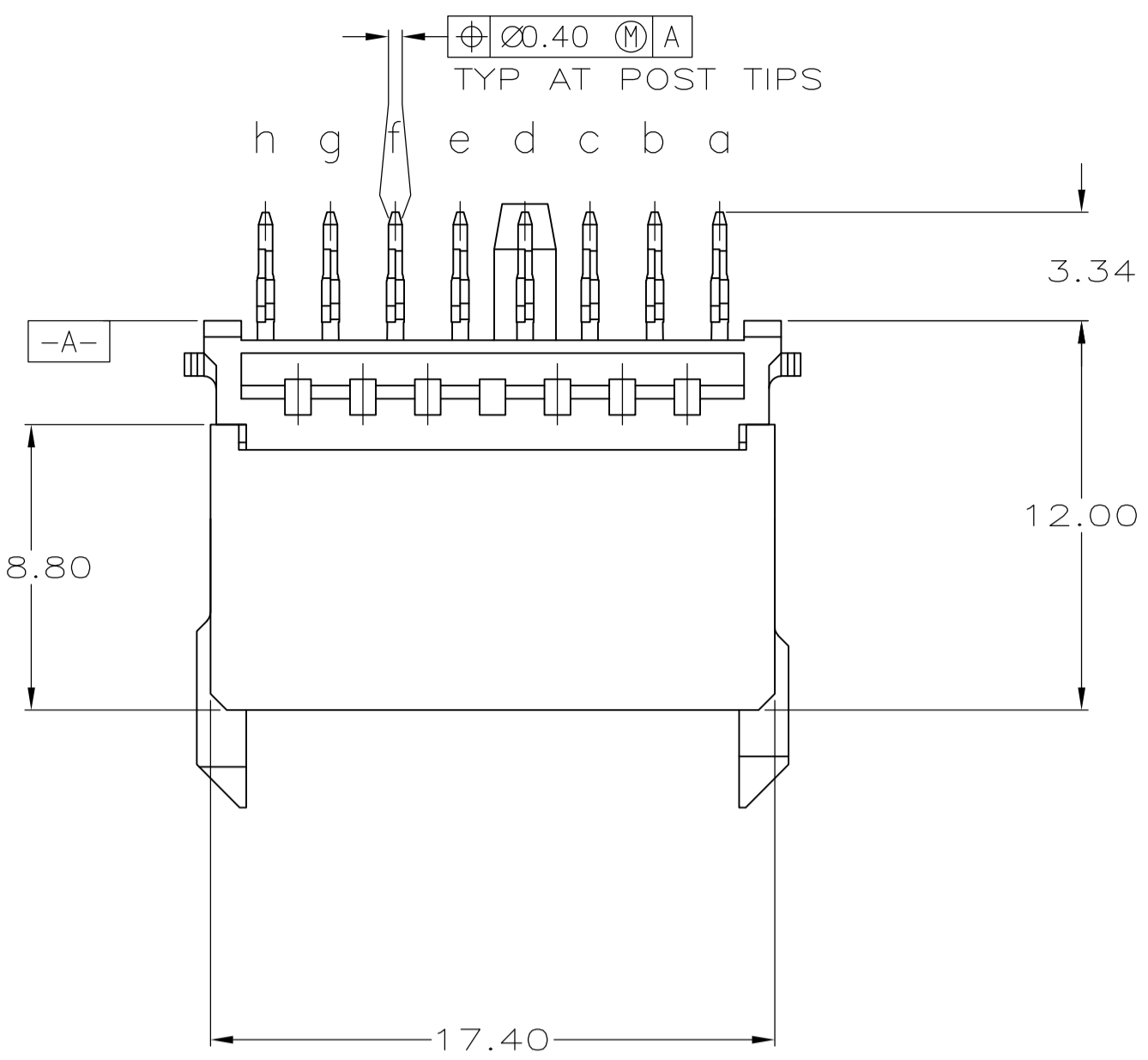
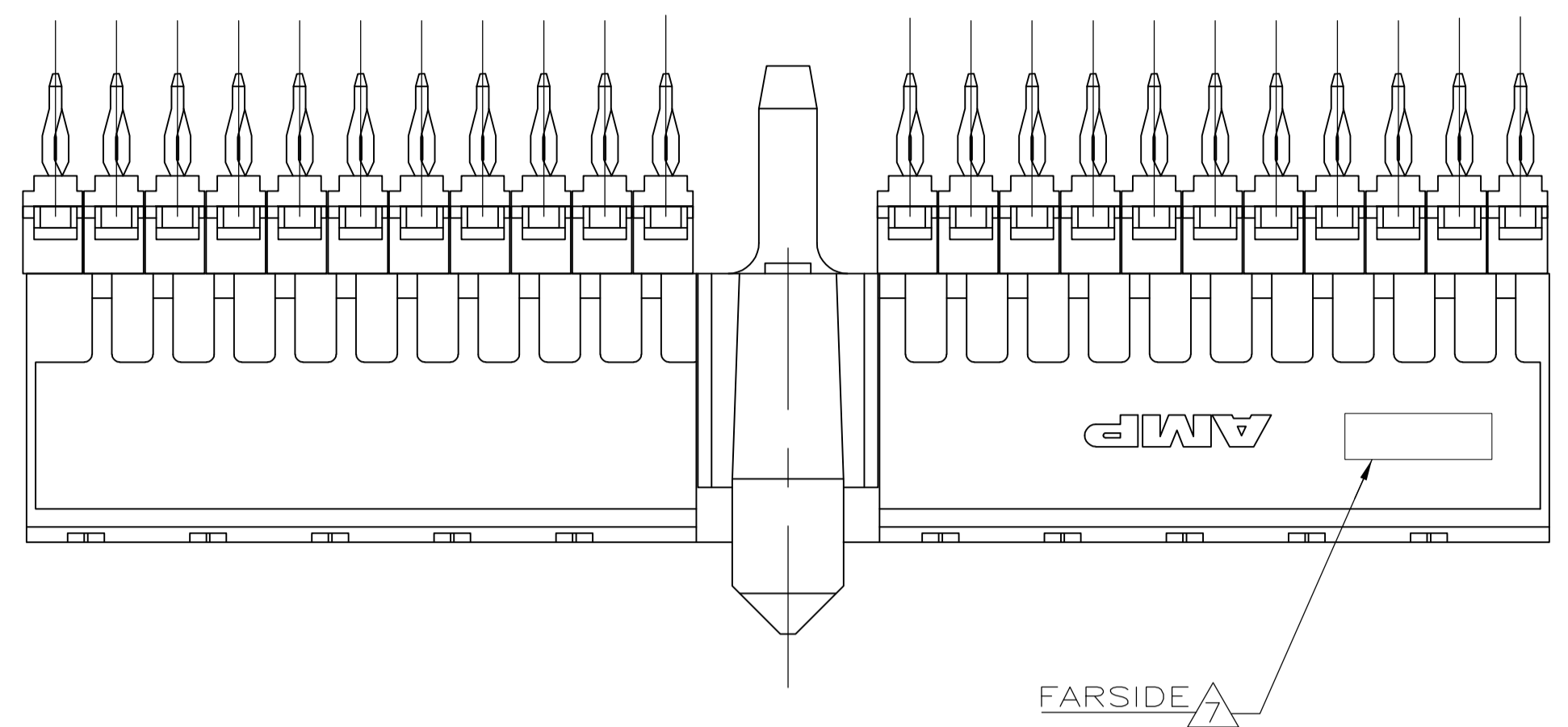
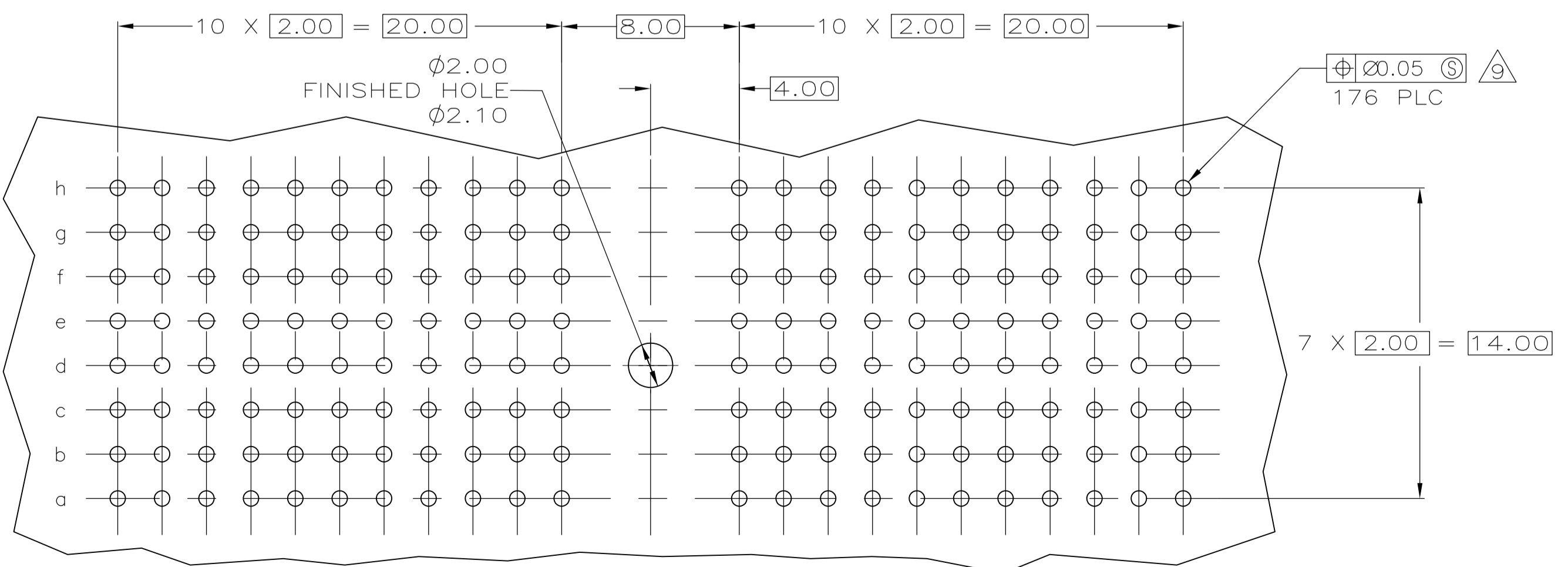


LOC		DIST		REVISIONS			
AD	00	REV	DATE	BY	CHK	APPV	
C1		REV PER ECO-10-000443	16JAN10	KK		AEG	
D		ECR-10-019054	15SEP10	DP		MQW	
E		ECO-11-024491	13DEC11	SY		MQW	
F		ECR-12-010544	06NOV12	SY		AC	



- 1 MATERIAL:
CONTACT: PHOSPHOR BRONZE.
HOUSING: GLASS-FILLED POLYESTER.
- 2 GENERAL PLATING SPECIFICATION: UNDERPLATING (ENTIRE CONTACT): 1.27µm MIN NICKEL AND ACTION PIN: 0.5µm MIN TIN LEAD. FOR PLATING OF MATING SURFACES SEE APPLICABLE SPECIFICATION REFERENCE FOR EACH DASH NUMBER.
- 3 CONFORMS TO ALL TESTING ACCORDING TO IEC 61076-4-101 PERFORMANCE LEVEL 2.
- 4 CONFORMS TO ALL TESTING ACCORDING TO IEC 61076-4-101 PERFORMANCE LEVEL 1.
- 5 CONNECTOR TESTED AND QUALIFIED AGAINST TELCORDIA GR-1217-CORE QUALITY LEVEL 3, CENTRAL OFFICE APPLICATIONS.
- 6 CONNECTOR TESTED AND QUALIFIED AGAINST TELCORDIA GR-1217-CORE QUALITY LEVEL 3, UNCONTROLLED ENVIROMENT APPLICATIONS.
- 7 CONNECTOR MARKED WITH PART NUMBER AND DATE CODE. ADDITIONAL CHARACTERS OR MARKINGS, AS WELL AS THE LOCATION OF THE MARKINGS, MAY BE ADDED FOR TRACEABILITY BASED UPON MANUFACTURERS DISCRETION.
- 8 AREA RESERVED FOR KEYING PART (BASIC P.N. 100526).
- 9 PLATED-THROUGH HOLES AT 2x2mm SQUARE GRID 176 HOLES.
- 10 CONNECTOR LUBRICATED WITH BELCORE APPROVED LUBRICANT, TECHNICAL REFERENCE: TR-NWT-001217 ISSUE 1, SEP 1992.
- 11 OBSOLETE PARTS: OBSOLETE CIS STREAMLINING PER D.RENAUD/D.SINISI



PLATED THRU HOLES PARAMETERS
REFERENCE APPLICATION SPECIFICATION

11	OBSOLETE	2/5/10	1-646538-9
	OBSOLETE	2/5/10	-646538-9-
11	OBSOLETE	2/4	-646538-4-
		2/3	646538-1
FINISH			PART NUMBER

RECOMMENDED PCB HOLE LAYOUT
COMPONENT SIDE SHOWN

THIS DRAWING IS A CONTROLLED DOCUMENT.

DIMENSIONS: mm	TOLERANCES UNLESS OTHERWISE SPECIFIED:	DIN B. CARBO 06DEC05	Tyco Electronics Corporation Harrisburg, PA 17105-3608
0-PLC ±	1-PLC ±	06DEC05	
2-PLC ±0.13	3-PLC ±	APVD G. SKIPPER 06DEC05	NAME: RECEPTACLE ASSEMBLY, VERTICAL, 176 POSN., TYPE D, 8 ROW, Z-PACK 2mm HM
4-PLC ±	ANGLES ±	PRODUCT SPEC	
MATERIAL 1	FINISH SEE TABLE	108-1622	SIZE: A1
		114-19029	CAGE CODE: 00779
		WEIGHT: -	DRAWING NO: 646538
		CUSTOMER DRAWING	SCALE: 5:1 SHEET: 1 OF 1 REV: F