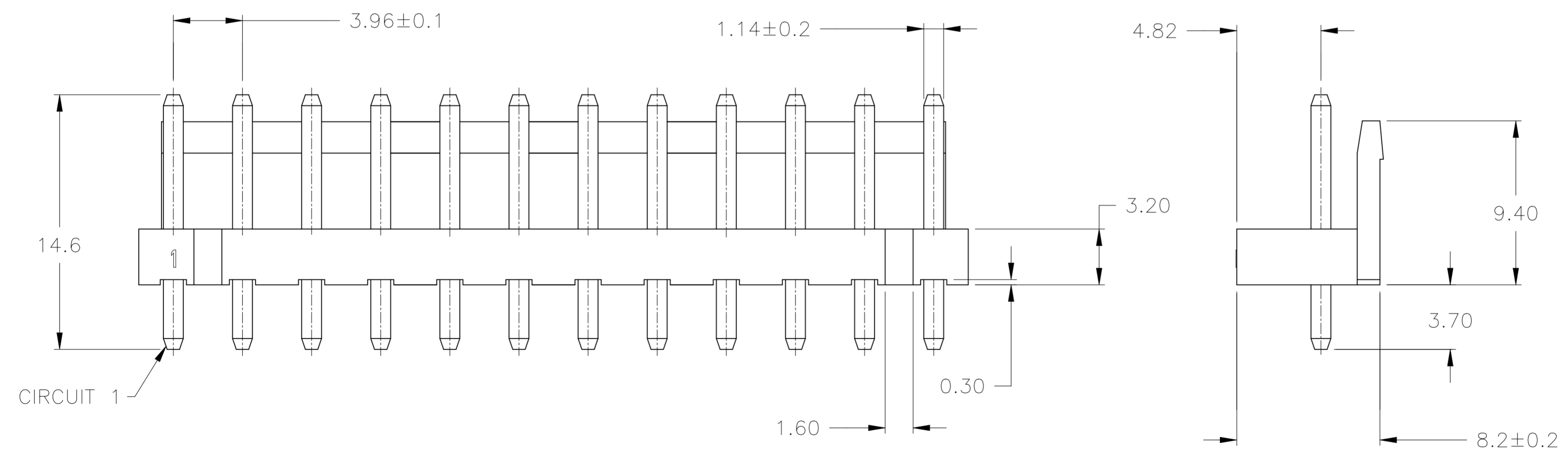


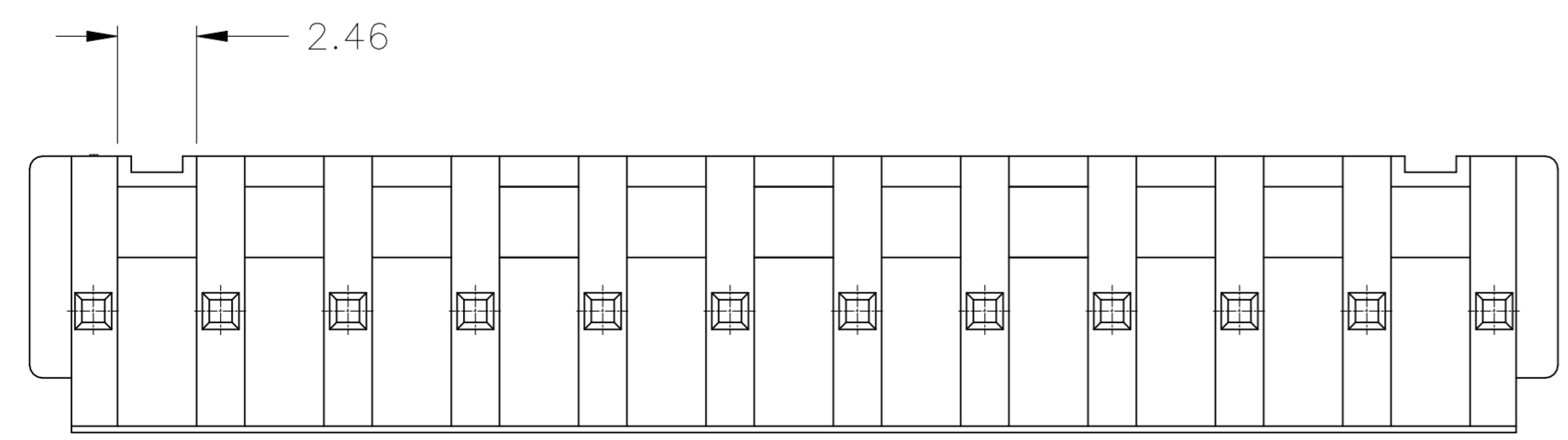
REVISIONS					
P	LTR	DESCRIPTION	DATE	DWN	APVD
B		REVISED PER ECR-23-189254	13MAR2024	WH	LC



- 1 HOUSING MATERIAL: NYLON UL 94V-0.
- 2 PIN CONTACT MATERIAL: BRASS.



CIRCUIT 1



THIS DRAWING IS A CONTROLLED DOCUMENT.		DWN K. WHITAKER 17NOV03		
DIMENSIONS: mm		CHK J. ELLIS 17NOV03		
TOLERANCES UNLESS OTHERWISE SPECIFIED:		APVD J. ELLIS 17NOV03	NAME -	
0 PLC ± -		PRODUCT SPEC 108-5609	EP HEADER ASSEMBLY	
1 PLC ± 0.15		APPLICATION SPEC 114-32134	SIZE A2	CAGE CODE 00779
2 PLC ± 0.10		WEIGHT -	DRAWING NO C-647689	RESTRICTED TO -
3 PLC ± -		MATERIAL -	SCALE N/A	SHEET 1 of 1
4 PLC ± -		FINISH -	CUSTOMER DRAWING	REV B
ANGLES ± 3°				

NATURAL	12	1-647689-2
COLOR	NO OF POSITIONS	PART NUMBER