

THIS DRAWING IS UNPUBLISHED. RELEASED FOR PUBLICATION 20
 © COPYRIGHT 20 BY TYCO ELECTRONICS CORPORATION. ALL RIGHTS RESERVED.

LOC		DIST		REVISIONS			
P	LTR	DESCRIPTION	DATE	DWN	APVD		
	A	RELEASE TO ACTIVE	08JUN2006	BB	SM		
	AI	ADD NOTE 7.	12MAY2009	KG	SB		

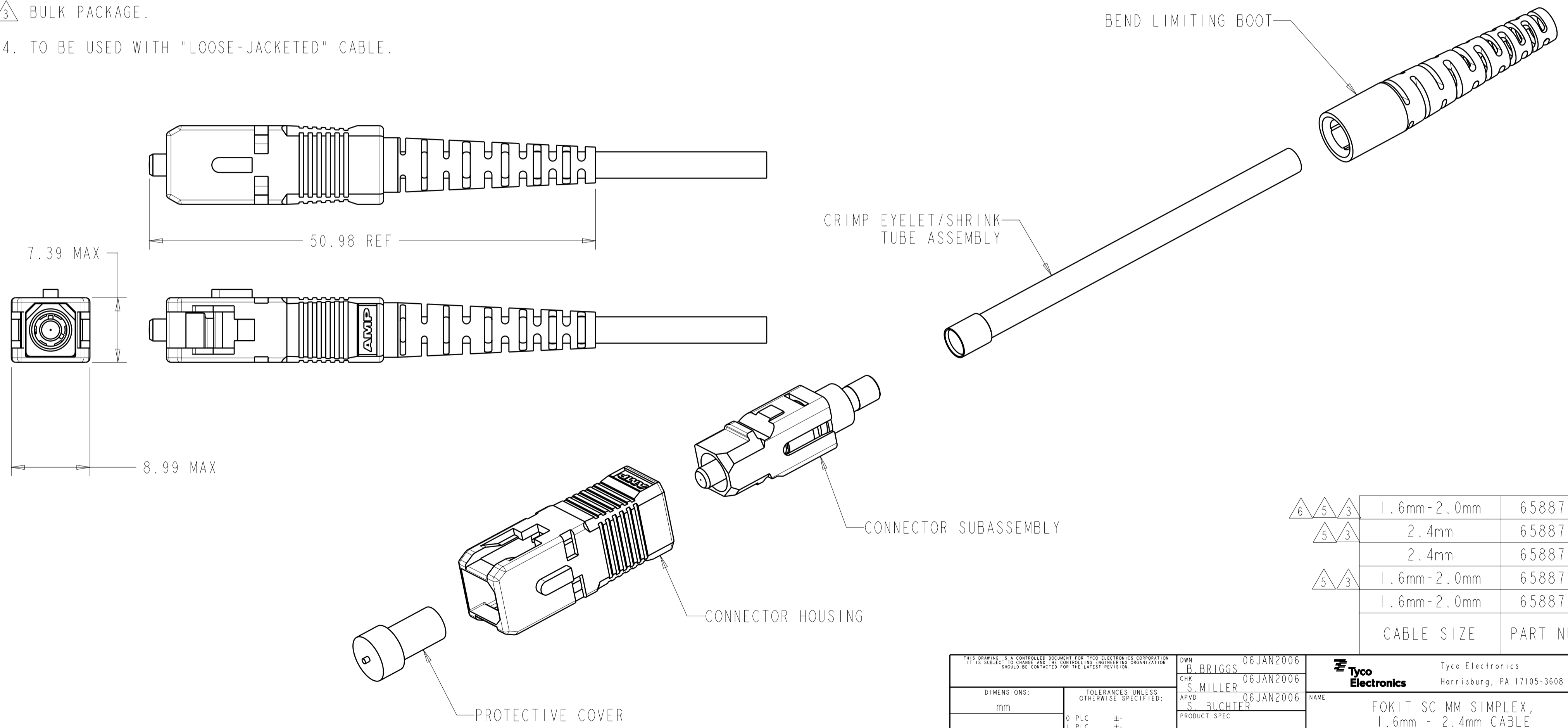
1 MATERIAL:
 PROTECTIVE COVER: LDPE, COLOR: BLACK, NON-FR.
 CONNECTOR HOUSING: PBT-GF17, COLOR: BEIGE.*
 CONNECTOR SUBASSEMBLY:
 PLUG BODY: PES-GF20, COLOR: BEIGE.*
 FERRULE ASSEMBLY: CERAMIC / PBT-GF17, COLOR: BEIGE.*
 EPOXY - FILL TUBING: PVC, COLOR: CLEAR, UL VW-1 RATED.
 SPRING: STAINLESS STEEL.
 RETAINER BODY: ALUMINUM.
 CRIMP EYELET/SHRINK TUBE ASSEMBLY: ALUMINUM/POLYOLEFIN,
 COLOR: WHITE/BLACK (2.4mm), UL VW-1 RATED.
 BEND LIMITING BOOT: PP, COLOR: BEIGE.*
 * UL94 V-0 RATED AT QUALIFYING THICKNESS.

5 KIT CONTAINS NO BOOTS.
 6 KIT CONTAINS NO CRIMP EYELET/SHRINK TUBE ASSEMBLY.
 7. INSTRUCTION SHEET 408-8674 AVAILABLE FOR DOWNLOAD AT
www.tycoelectronics.com/documents OR
www.ampnetconnect.com/foguide.

2 FINISH:
 RETAINER BODY: CLEAR ANODIZE.
 CRIMP EYELET: CLEAR ANODIZE.

3 BULK PACKAGE.

4. TO BE USED WITH "LOOSE-JACKETED" CABLE.



6	5	3	CABLE SIZE	PART NUMBER
6	5	3	1.6mm-2.0mm	6588715-5
5	3		2.4mm	6588715-4
			2.4mm	6588715-3
5	3		1.6mm-2.0mm	6588715-2
			1.6mm-2.0mm	6588715-1

THIS DRAWING IS A CONTROLLED DOCUMENT FOR TYCO ELECTRONICS CORPORATION. IT IS SUBJECT TO CHANGE AND THE CONTROLLING ENGINEERING ORGANIZATION SHOULD BE CONTACTED FOR THE LATEST REVISION.		DWN B. BRIGGS 06 JAN 2006	Tyco Electronics Harrisburg, PA 17105-3608	
DIMENSIONS: mm		CHK S. MILLER 06 JAN 2006	NAME FOKIT SC MM SIMPLEX, 1.6mm - 2.4mm CABLE	
TOLERANCES UNLESS OTHERWISE SPECIFIED: 0 PLC ± 1 PLC ± 2 PLC ± 3 PLC ± 4 PLC ± ANGLES ± FINISH		APVD S. BUCHTER 06 JAN 2006	SIZE A2	CAGE CODE 00779
MATERIAL		PRODUCT SPEC -	DRAWING NO 6588715	RESTRICTED TO -
1		APPLICATION SPEC -	SCALE NTS	SHEET 1
2		WEIGHT -	REV AI	
CUSTOMER DRAWING				