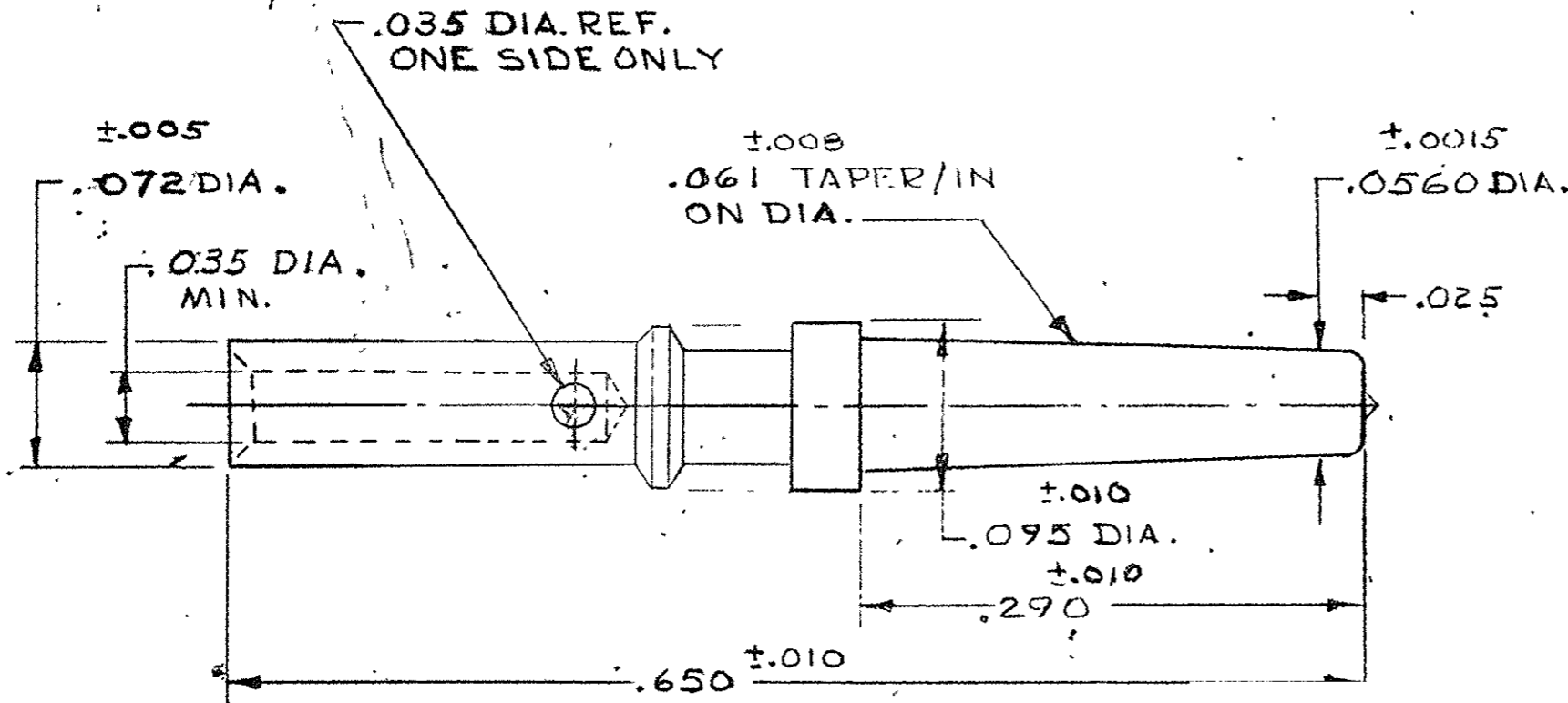


© 1969 BY AMP INCORPORATED. ALL RIGHTS RESERVED. AMP PRODUCTS COVERED BY PATENTS AND/OR PATENTS PENDING.

REVISIONS				
ZONE	LTR	DESCRIPTION	DATE	APPROVED
	A	REDRAWN & REVISED 2078	9-14-69	m.s. J.H.
	B	LOC. SWASAB, DIST 12 WAS 39 9347	1-7-72	JP
	C	OBSOLETE - 2, BRIGHT TIN .0001 WAS TIN, EA 970	2-1-79	DJA
	D	BRIGHT TIN-LEAD WAS BRIGHT TIN, EA 1818	6-18-81	DS
	E	REV PER DF-2051	10-3-89	mlc
	F	REV PER DF-2412, REACT-3	T.W.	mlc
	G	REV PER OH14-0139-05	1-06	PY RG



- 1 BRIGHT TIN-LEAD $\pm .0001$ THICK
- 2 SILVER $\pm .0002$ THICK
- 3 GOLD $\pm .000030$ OVER $.000050$ NICKEL.
- 4 MATTE TIN - $.0001$ THICK

PART NO.	FINISH.	WIRE SIZE
66074-1	1	#24 - #22
66074-2	2	#24 - #22
66074-3	3	#24 - #22
5-66074-1	4	#24 - #22

UNLESS OTHERWISE SPECIFIED DIMENSIONS ARE IN INCHES TOLERANCES ON: DECIMALS $\pm .015$ ANGLES \pm	CONTRACT NO.		AMP AMP INCORPORATED HARRISBURG, PENNSYLVANIA		
	DRY	4-11-69			
	CHK	J.S. Heide 5-12-69	NAME	PIN, TAPER, "53" SERIES, UNINSULATED	
	APPD	C. Snyder 5/15/69	REL		W. F. Fisher 5-15-69
	MATERIAL	BRASS	DSGN APPD	SIZE	CODE IDENT NO.
		OTHER APPD	B	00779	66074
			SCALE	10-1	SHEET