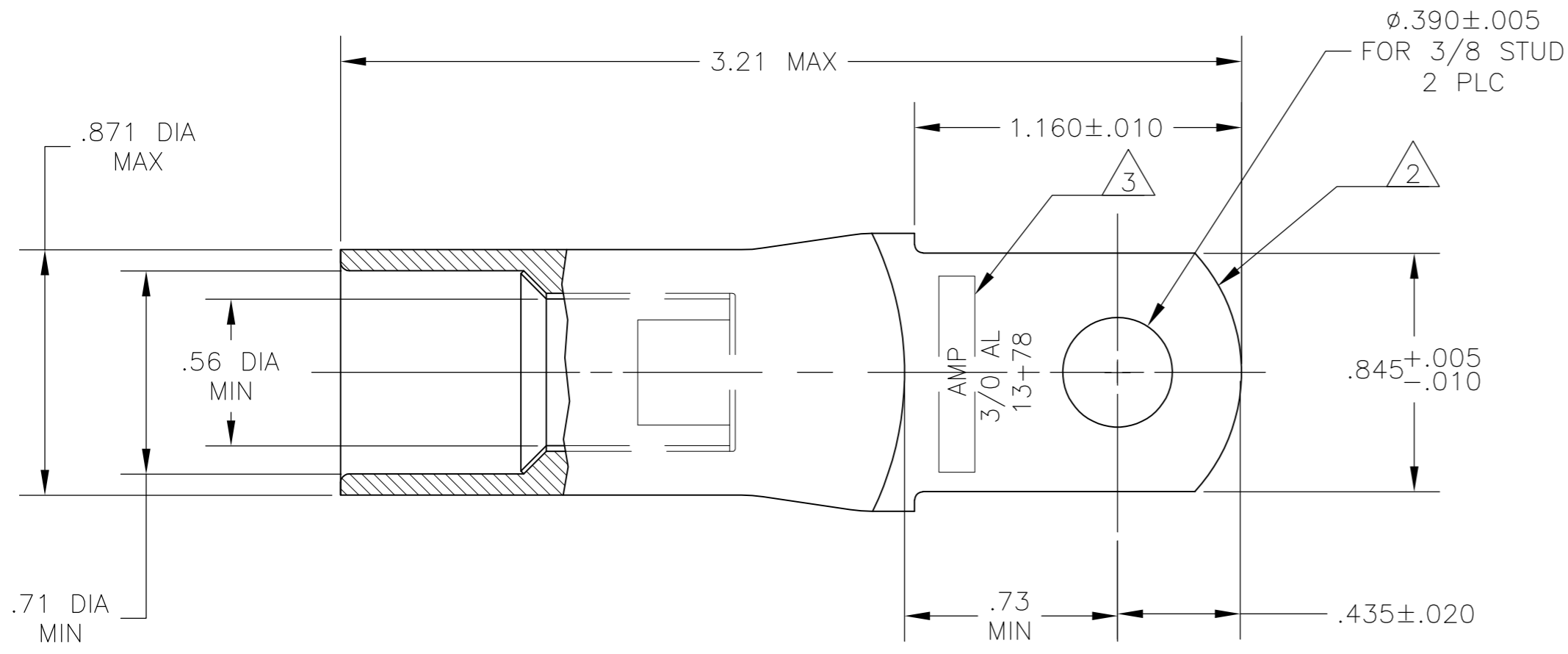
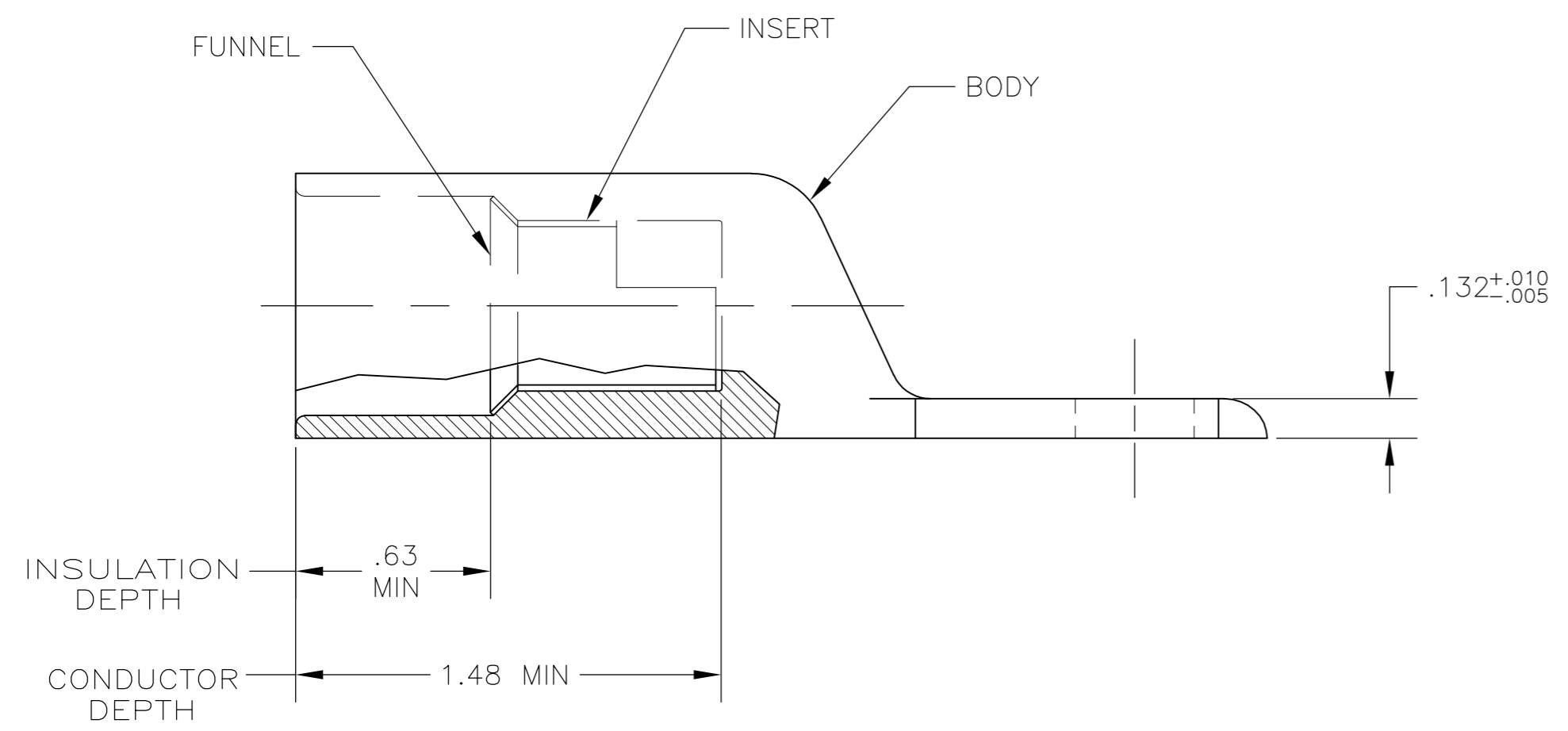


THIS DRAWING IS UNPUBLISHED. RELEASED FOR PUBLICATION
 © COPYRIGHT - By - ALL RIGHTS RESERVED.

| LOC | | DIST | | REVISIONS | | | |
|-----|-----|---------------------------|---------|-----------|------|--|--|
| P | LTR | DESCRIPTION | DATE | DWN | APVD | | |
| J | | REVISED PER ECO-15-005109 | 27APR15 | KG | PD | | |



- 1 WIRE INSULATION: .520-.633 DIA
- 2 THE TONGUE RADIUS FEATURE IS NOT A TOOLING CONTROLLED DIMENSION AND MAY NOT BE A TRUE RADIUS.
- 3 STAMP "AMP 3/0 AL 13-78" SIZE AND LOCATION APPROX AS SHOWN



| | |
|--|----------|
| BODY: COPPER ASTM-B187 ANNEALED TIN PL PER ASTM B-545 .000150 MIN THK INSERT & FUNNEL: BRASS ASTM B36 NICKEL PL SAE AMS QQ-N-290A, DATED JULY 2000, 0.00254 [.000100] MIN THK | 696881-1 |
| MATERIAL & FINISH | PART NO. |

| | | | | | |
|--|--|--------------|-----------|---------|---|
| THIS DRAWING IS A CONTROLLED DOCUMENT. | | DWN | JR RUTH | 30SEP05 | TE Connectivity |
| DIMENSIONS: MM [INCHES] | | CHK | MJ SPICER | 30SEP05 | |
| TOLERANCES UNLESS OTHERWISE SPECIFIED: | | APVD | MJ SPICER | 30SEP05 | |
| 0 PLC ± - 1 PLC ± - 2 PLC ± - 3 PLC ± .008 4 PLC ± - ANGLES ± - | | PRODUCT SPEC | NAME | | |
| MATERIAL SEE TABLE | | FINISH | SEE TABLE | | WIRE TERMINAL, RING, NARROW TONGUE, SEALED COPALUM, WIRE SIZE: 3/0 ALUMINUM |
| WEIGHT | | 103±5 GRAMS | | A2 | RESTRICTED TO |
| CUSTOMER DRAWING | | SCALE | 2:1 | SHEET | 1 of 1 |
| | | REV | J | | |

696881