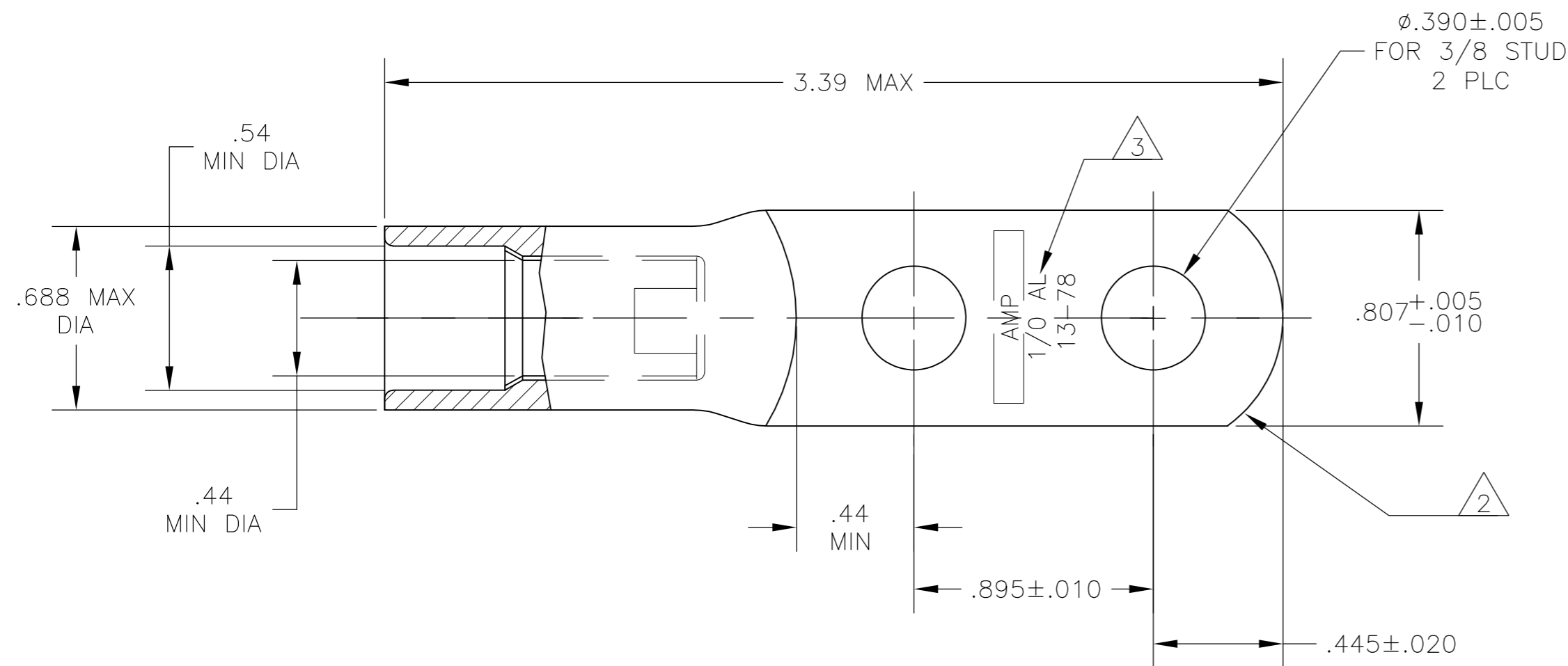
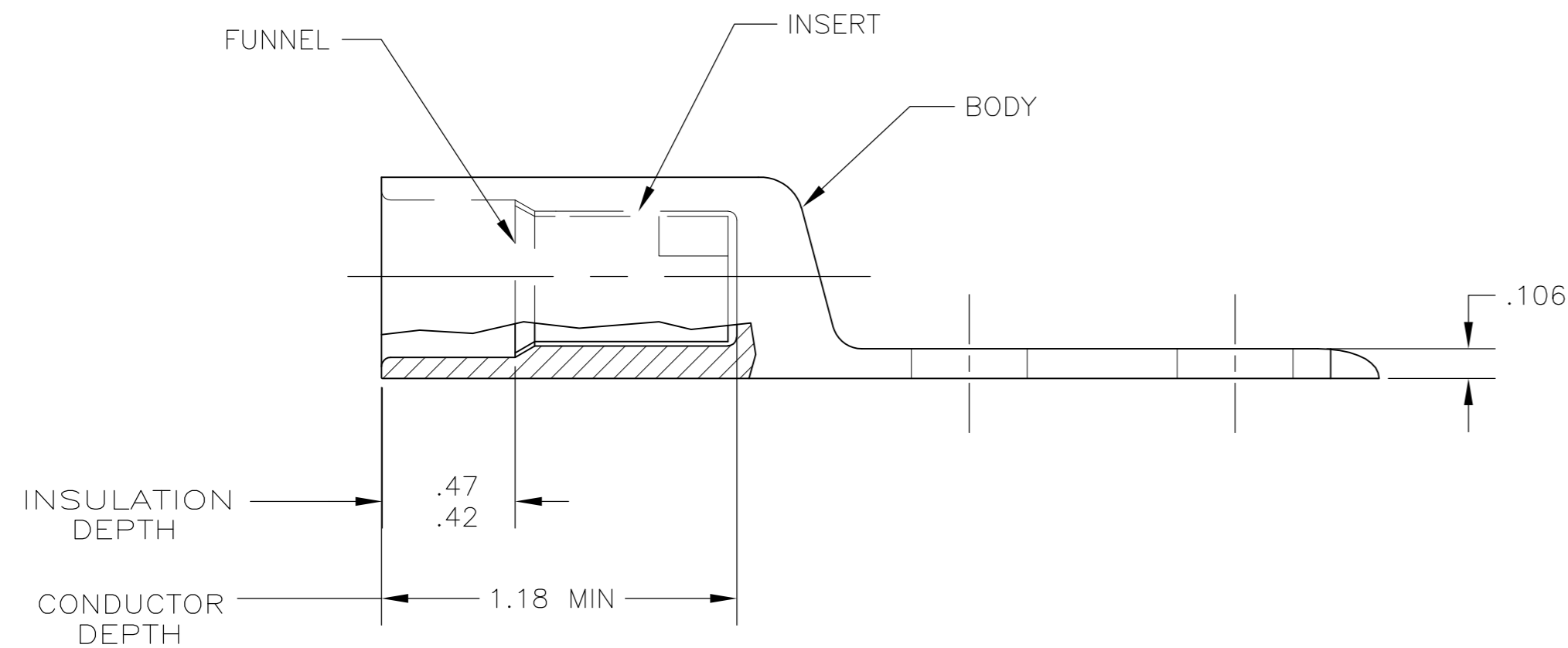


THIS DRAWING IS UNPUBLISHED. RELEASED FOR PUBLICATION
 © COPYRIGHT - TE Connectivity ALL RIGHTS RESERVED.

REVISIONS				
P	LTR	DESCRIPTION	DATE	APVD
A		REV PER ECO 17-015037	10-17-17	CT PD



- 1 WIRE INSULATION: .437-.513 DIA
- 2 THE TONGUE RADIUS FEATURE IS NOT A TOOLING CONTROLLED DIMENSION AND MAY NOT BE A TRUE RADIUS.
- 3 STAMP "AMP 1/0 AL 13-78" SIZE AND LOCATION APPROX AS SHOWN



<u>INSERT & FUNNEL:</u> BRASS MIL-C-50 NICKEL PL QQ-N-290 .000300 AVG THK	696957-1
<u>BODY:</u> COPPER ASTM-B187 ANNEALED TIN PL PER ASTM B-545 .000150 MIN THK	
MATERIAL & FINISH	PART NO.

THIS DRAWING IS A CONTROLLED DOCUMENT.		DWN JR RUTH 09MAY06																				
DIMENSIONS: INCHES		CHK MJ SPICER 09MAY06																				
TOLERANCES UNLESS OTHERWISE SPECIFIED:		APVD MJ SPICER 09MAY06	NAME																			
<table border="1"> <tr><td>0 PLC</td><td>±</td><td>-</td></tr> <tr><td>1 PLC</td><td>±</td><td>-</td></tr> <tr><td>2 PLC</td><td>±</td><td>-</td></tr> <tr><td>3 PLC</td><td>±</td><td>.008</td></tr> <tr><td>4 PLC</td><td>±</td><td>-</td></tr> <tr><td>ANGLES</td><td>±</td><td>-</td></tr> </table>		0 PLC	±	-	1 PLC	±	-	2 PLC	±	-	3 PLC	±	.008	4 PLC	±	-	ANGLES	±	-	PRODUCT SPEC	WIRE TERMINAL, RING TONGUE SEALED COPALUM, 2 HOLE WIRE SIZE: 1/0 ALUMINUM	
0 PLC	±	-																				
1 PLC	±	-																				
2 PLC	±	-																				
3 PLC	±	.008																				
4 PLC	±	-																				
ANGLES	±	-																				
MATERIAL SEE TABLE		FINISH SEE TABLE	APPLICATION SPEC	RESTRICTED TO																		
		WEIGHT 0.000000	SIZE A2	CAGE CODE 00779																		
		CUSTOMER DRAWING	DRAWING NO C=696957	SCALE 2:1																		
			SHEET 1 of 1	REV A																		