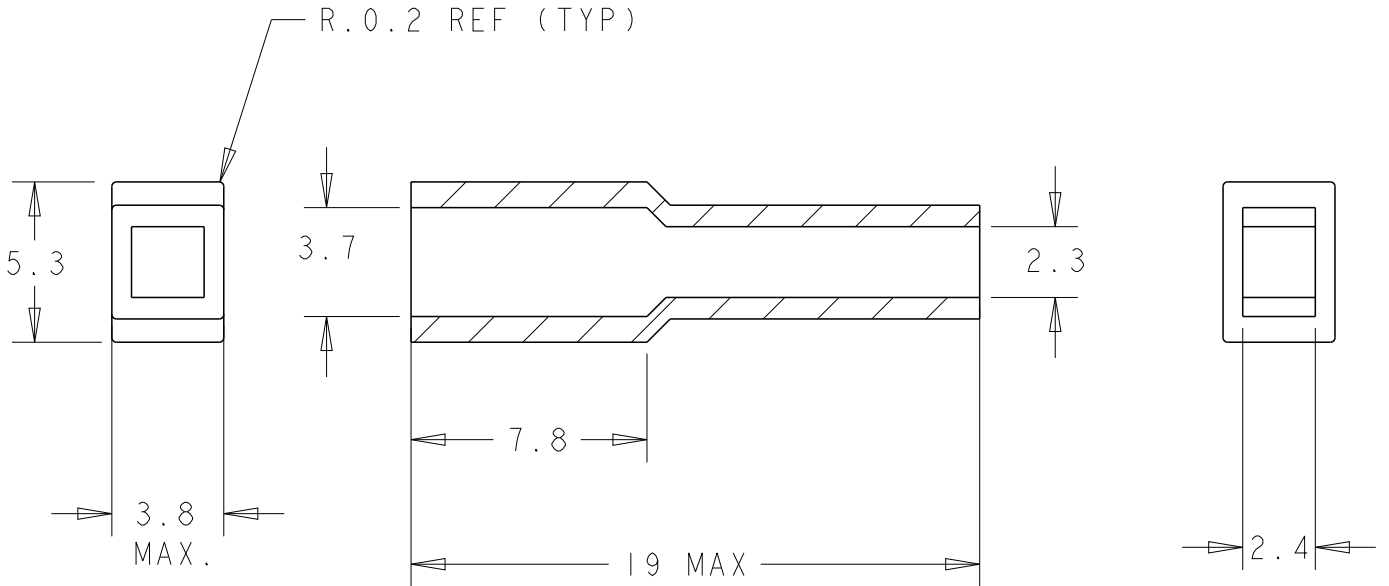


LOC	DIST	REVISIONS				
P	LTR	DESCRIPTION	DATE	DWN	APVD	
AL	2					
	L1	REDRAWN WITHOUT CHANGE	09NOV2007	J.L	J.S	
	L2	REVISED PER ECO-09-025714	17DEC09	KK	AEG	
	L3	REVISED PER ECR-23-180671	13JUL2023	DB	RE	

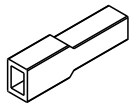


SECTION A - A

NOTES: -

OBSOLETE PARTS: OBSOLETE CIS STREAMLINING PER D.RENAUD/D.SINISI

ALTURA DE ENGASTE AISLANTE 2.5MM MAX.



SCALE 1:1

 OBSOLETE	NARANJA	735052-9
	VIOLETA	735052-8
	GRIS	735052-7
	MARRON	735052-6
	NEGRO	735052-5
	AMARILLO	735052-4
	AZUL	735052-3
VERDE	735052-2	
OBSOLETE	ROJO	735052-1
SUPERSEDED	NATURAL	735052-0
	COLOR	REFERENCIA

20
 RELEASED FOR PUBLICATION
 BY TYCO ELECTRONICS CORPORATION. ALL RIGHTS RESERVED.
 COPYRIGHT 20
 THIS DRAWING IS UNPUBLISHED.

DIMENSIONS: mm	DWN J.Lazaro	09NOV2007	MATERIAL	POLIETILENO	FINISH	-
	CHK J.Salo	09NOV2007	Tyco Electronics AMP ESPAÑOLA S.A. Barcelona / España			
TOLERANCES UNLESS OTHERWISE SPECIFIED:	APVD L.Batillo	09NOV2007				
0 PLC ±GENERAL	PRODUCT SPEC	-	NAME			
1 PLC ±TOLERANCE			PROTECTOR FASTON MINIATURA			
2 PLC ±0.2	APPLICATION SPEC	-	SIZE	CAGE CODE	DRAWING NO	RESTRICTED TO
3 PLC ±			A 4	00779	C-735052	-
4 PLC ±	WEIGHT	-	CUSTOMER DRAWING			
ANGLES ±			SCALE	4:1	SHEET	1 OF 1
					REV	L3