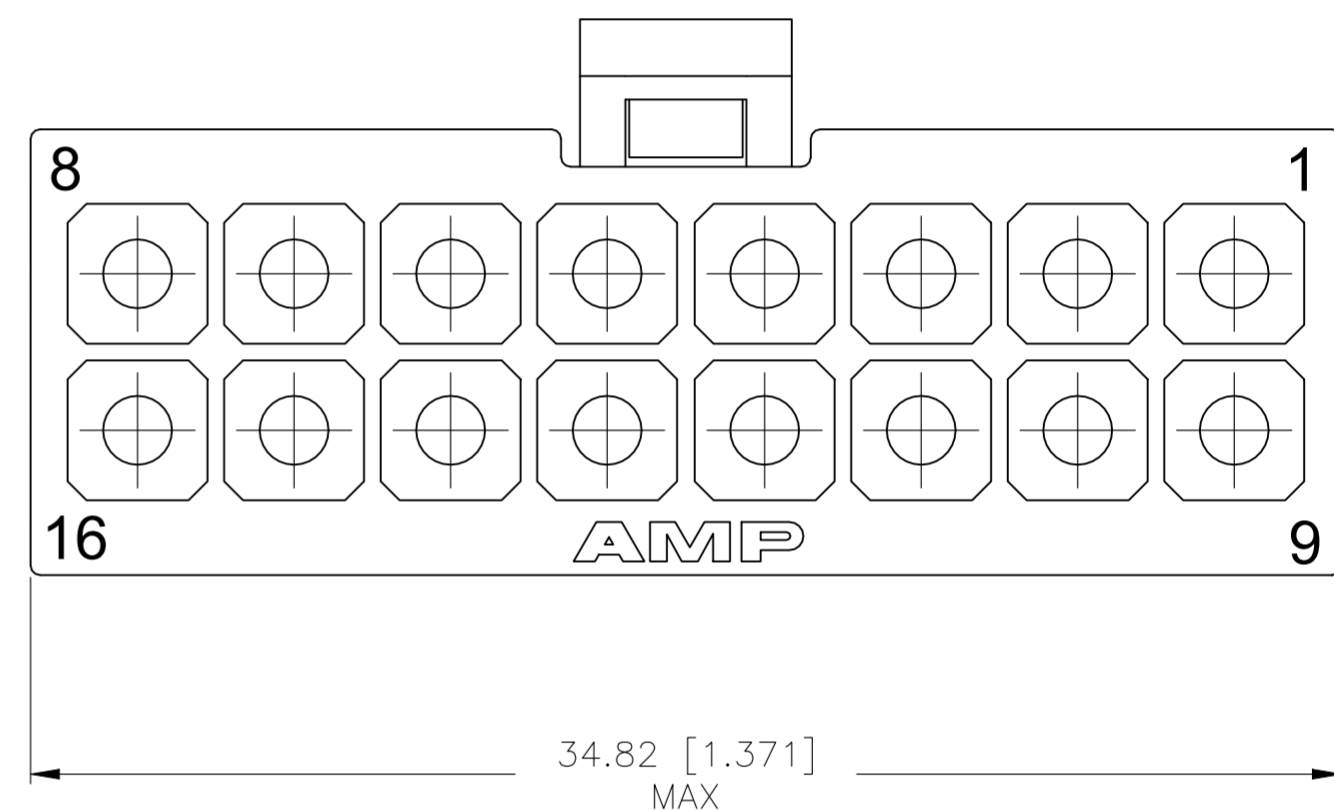
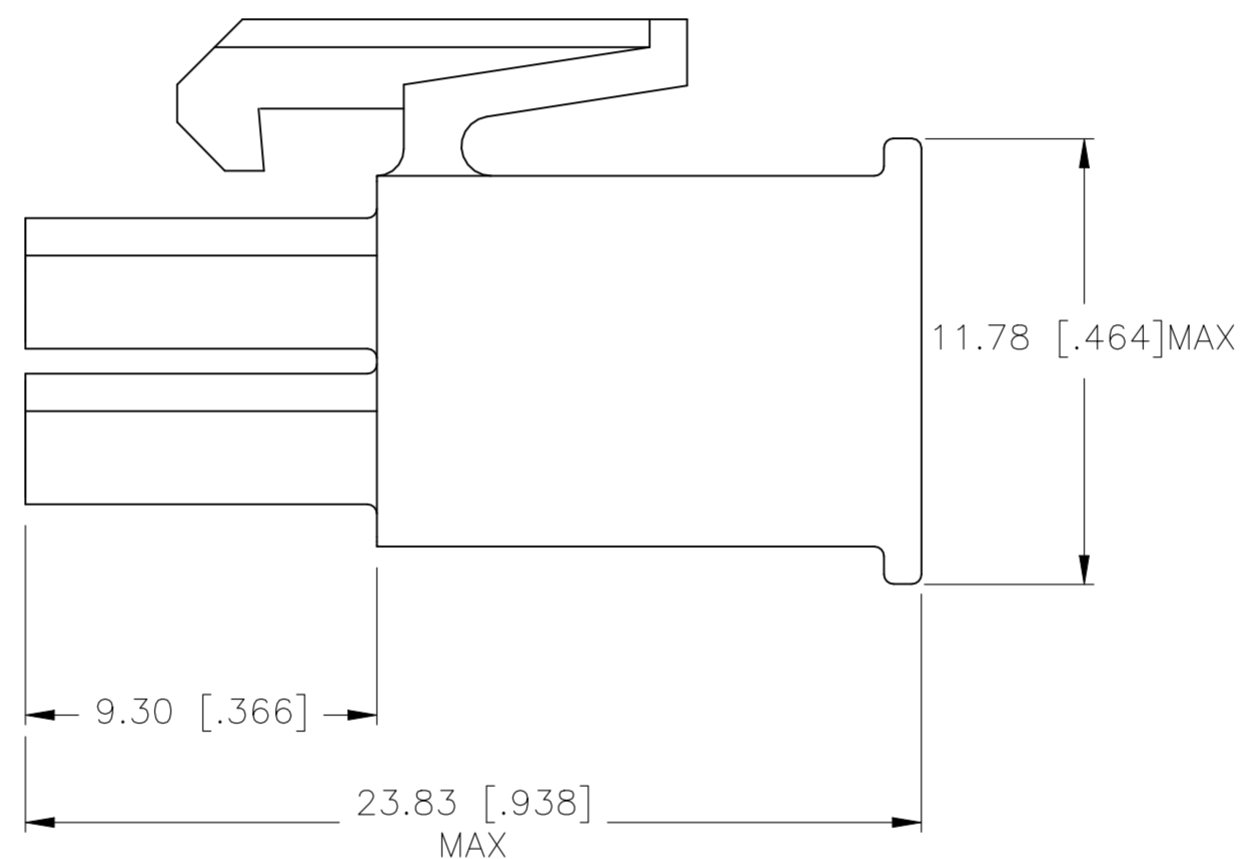
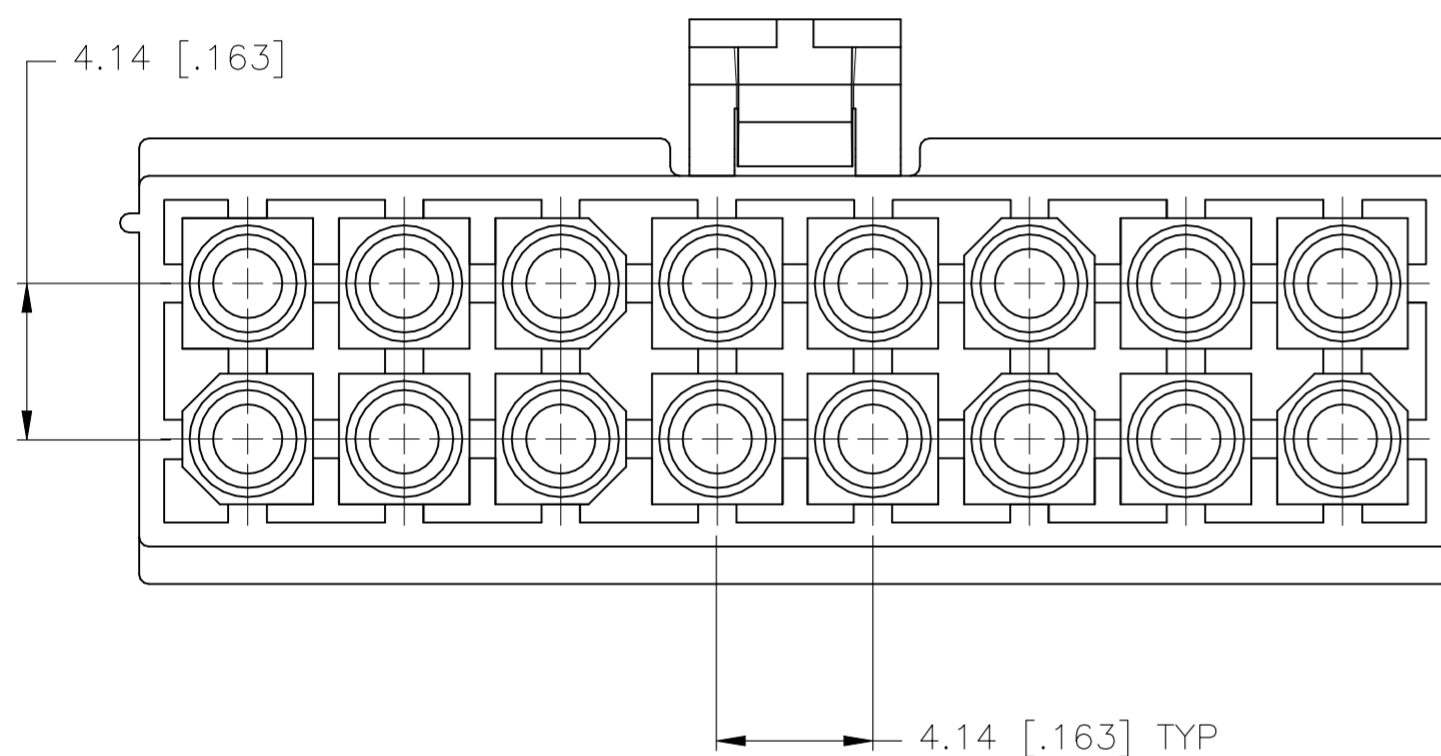
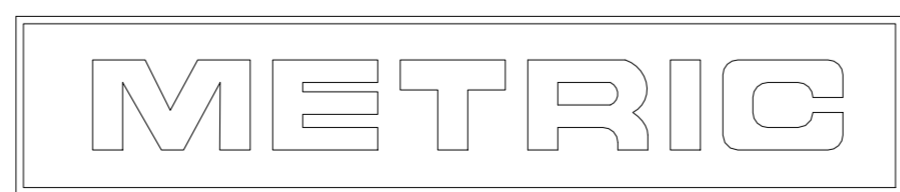


REVISIONS					
P	LTR	DESCRIPTION	DATE	DWN	APVD
L		REVISED PER ECR-24-208943	17MAY2024	DK	JP

1. INDIVIDUAL CORING FEATURES AROUND BASES OF SILOS MAY NOT BE PRESENT IN ALL LOCATIONS SHOWN.



770583-1
PART NUMBER



THIS DRAWING IS A CONTROLLED DOCUMENT.		DWN S. HOOVER 12-MAY-2004		
DIMENSIONS: mm [INCHES]		CHK C. JONES 12-MAY-2004		
TOLERANCES UNLESS OTHERWISE SPECIFIED:		APVD C. JONES 12-MAY-2004	NAME PLUG, 16 CIRCUIT, MINI UNIVERSAL MATE-N-LOK™	
0 PLC ±	1 PLC ±	PRODUCT SPEC	SIZE A2	CAGE CODE 00779
2 PLC ±	3 PLC ± 0.13 [.005]	APPLICATION SPEC	DRAWING NO C=770583	RESTRICTED TO
4 PLC ±	ANGLES ±	WEIGHT 0.000000	SCALE 5:1	SHEET 1 of 1
MATERIAL NYLON, UL 94V-0 WHITE	FINISH	CUSTOMER DRAWING	REV L	