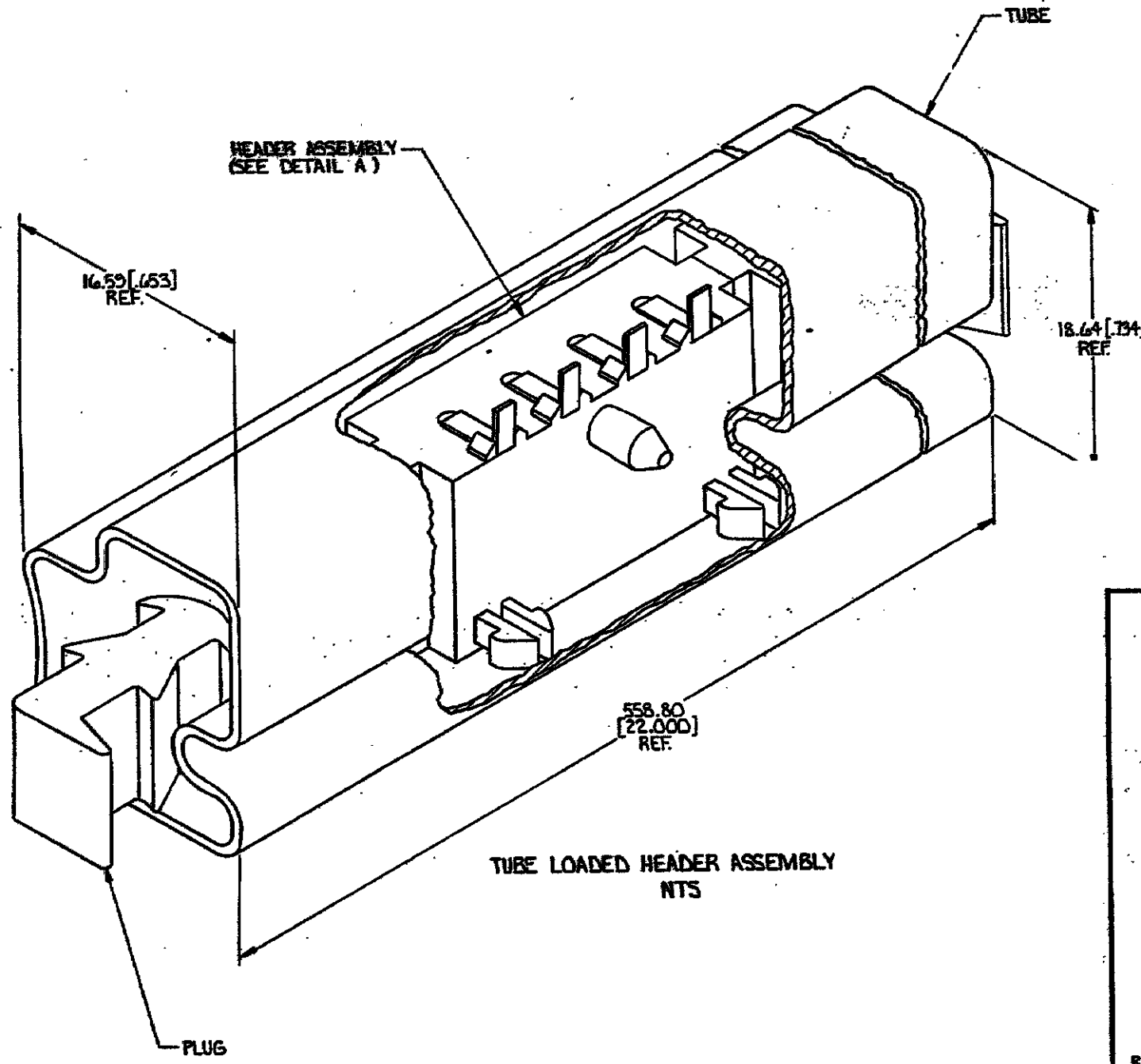


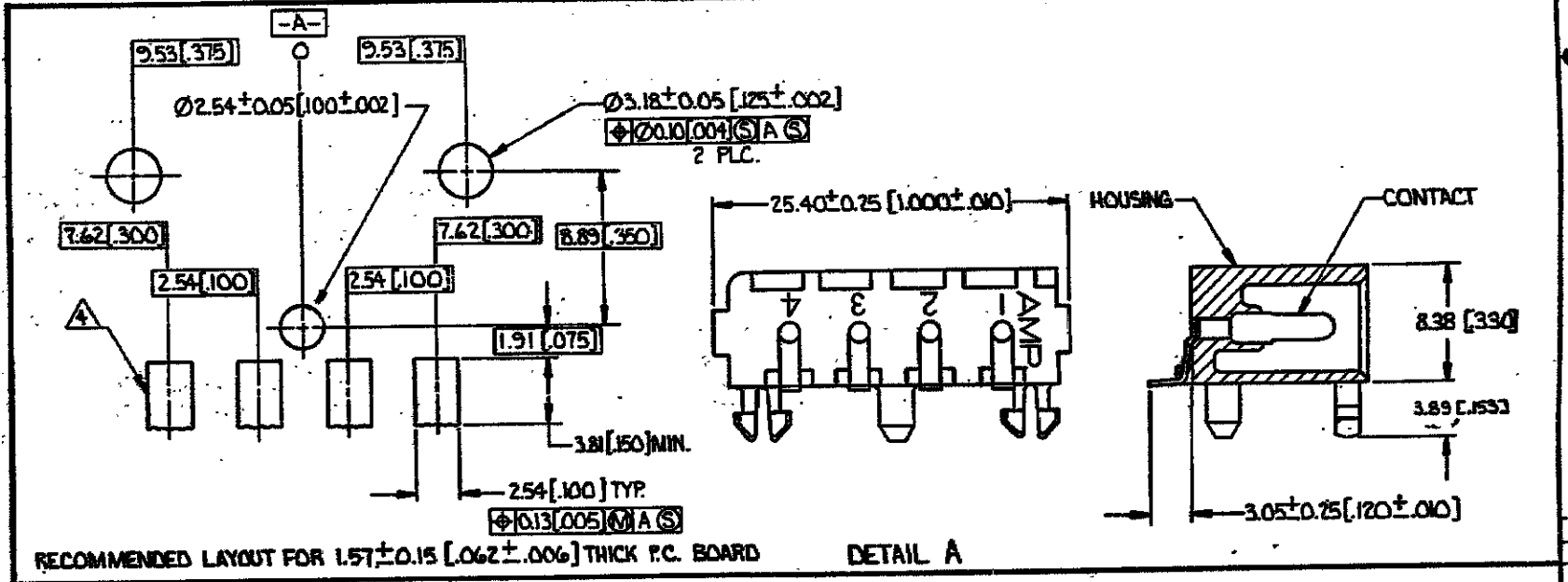
DRAWING MADE IN THIRD ANGLE PROJECTION

THIS DRAWING IS UNPUBLISHED. RELEASED FOR PUBLICATION  
 © COPYRIGHT 19 BY AMP INCORPORATED, HARRISBURG, PA. ALL INTERNATIONAL RIGHTS RESERVED. AMP PRODUCTS MAY BE COVERED BY U.S. AND FOREIGN PATENTS AND/OR PATENTS PENDING.

REVISIONS				
REV	ZONE/LTR	DESCRIPTION	DATE	APPROVED
✓	C	REV PER ECN CM-3500	9-2-91	DS
✓	D	REV PER ECN CM-3560	11-8-91	DS
✓	E	REV PER ECN CM-3757	4-15-92	DS
	E1	REVISED PER ECR-21-117185	200CT2001	PJ



- 1 PARTS COMPLY WITH AMP SPEC 109-11-3.
- 2 MATERIAL: HOUSING-NYLON, UL94V-2 (BLACK)  
100% VIRGIN (NO REGRIND)  
CONTACT-COPPER ALLOY, PRE-TIN PLATED.
- 3 DIMENSIONS IN BRACKETS ARE IN INCHES.
- 4 0.25[.010] MIN THICK SOLDER PASTE, 63/27 TIN-LEAD.
- 5 DIMENSION SHOWN REPRESENT PRODUCT IN DRY CONDITION. ADDITIONAL 2% GROWTH DUE TO END USE LOCATION MOISTURE ABSORPTION MAY OCCUR AND SHOULD BE ACCOUNTED FOR.



**METRIC**

20	2	4	770829 -1
HEADER ASSEMBLY	PLUG	NUMBER OF POSITIONS	PART NUMBER
QTY PER TUBE		HEADER ASSEMBLY	

UNLESS OTHERWISE SPECIFIED DIMENSIONS ARE IN MM TOLERANCES ON: DECIMALS ±0.13 [.005] ANGLES ±	CONTRACT NO	TE Connectivity	
	OR P. Coll. 3-14-91	NAME	HEADER ASSEMBLY, RIGHT ANGLE, 4 CIRCUIT, TUBE LOADED, COMMERCIAL MATE-N-LOK
	CHK. P. Coll. 3-15-91	DESIGN APPD	
	APPRO. P. Coll. 3-18-91	OTHER APPD	
MATERIAL	SIZE	PCBN NO	DRAWING NO
	D	00779	770829
FINISH	SCALE	SHEET 1 OF 1	
	4:1		

CUSTOMER DRAWING