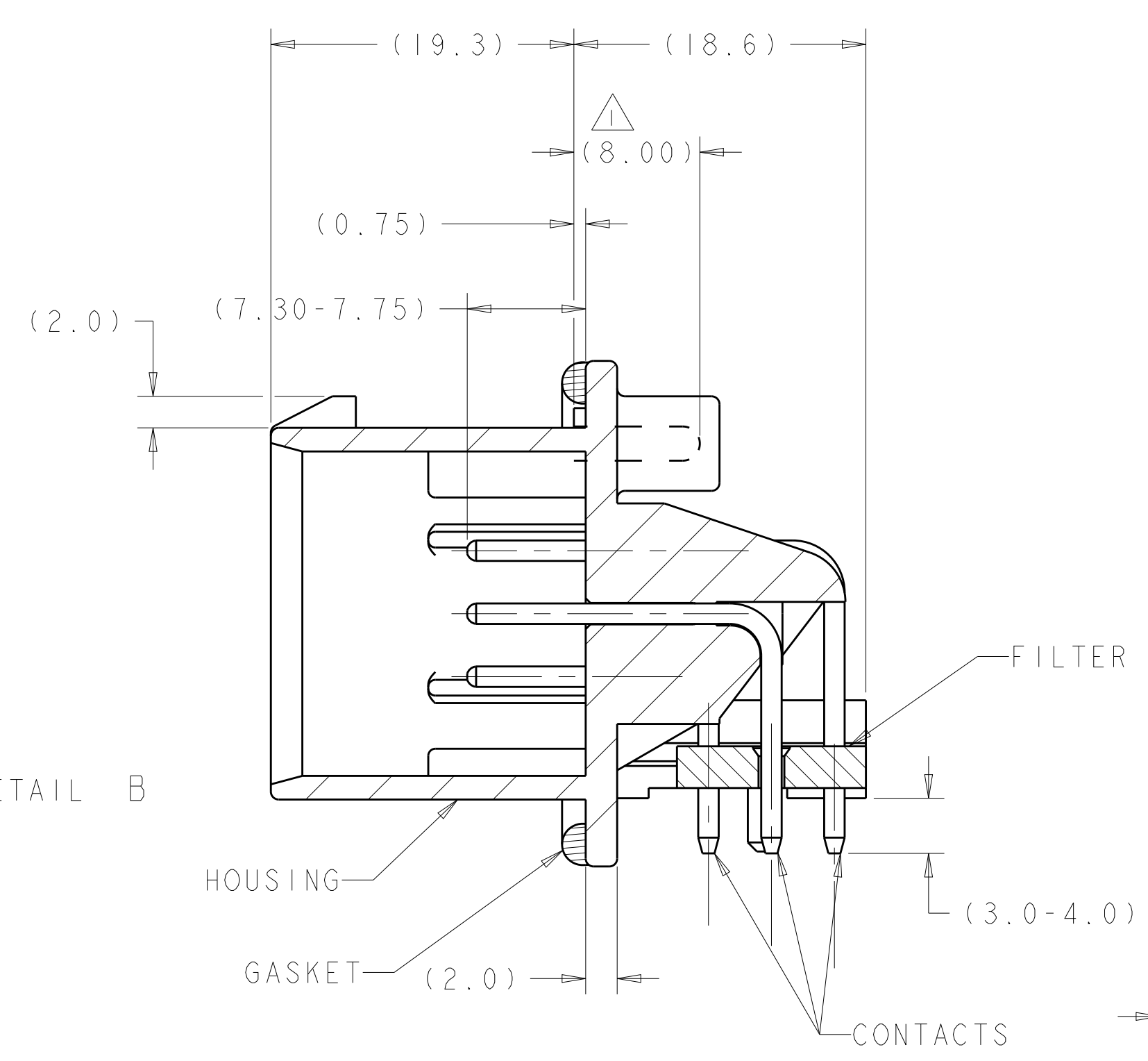
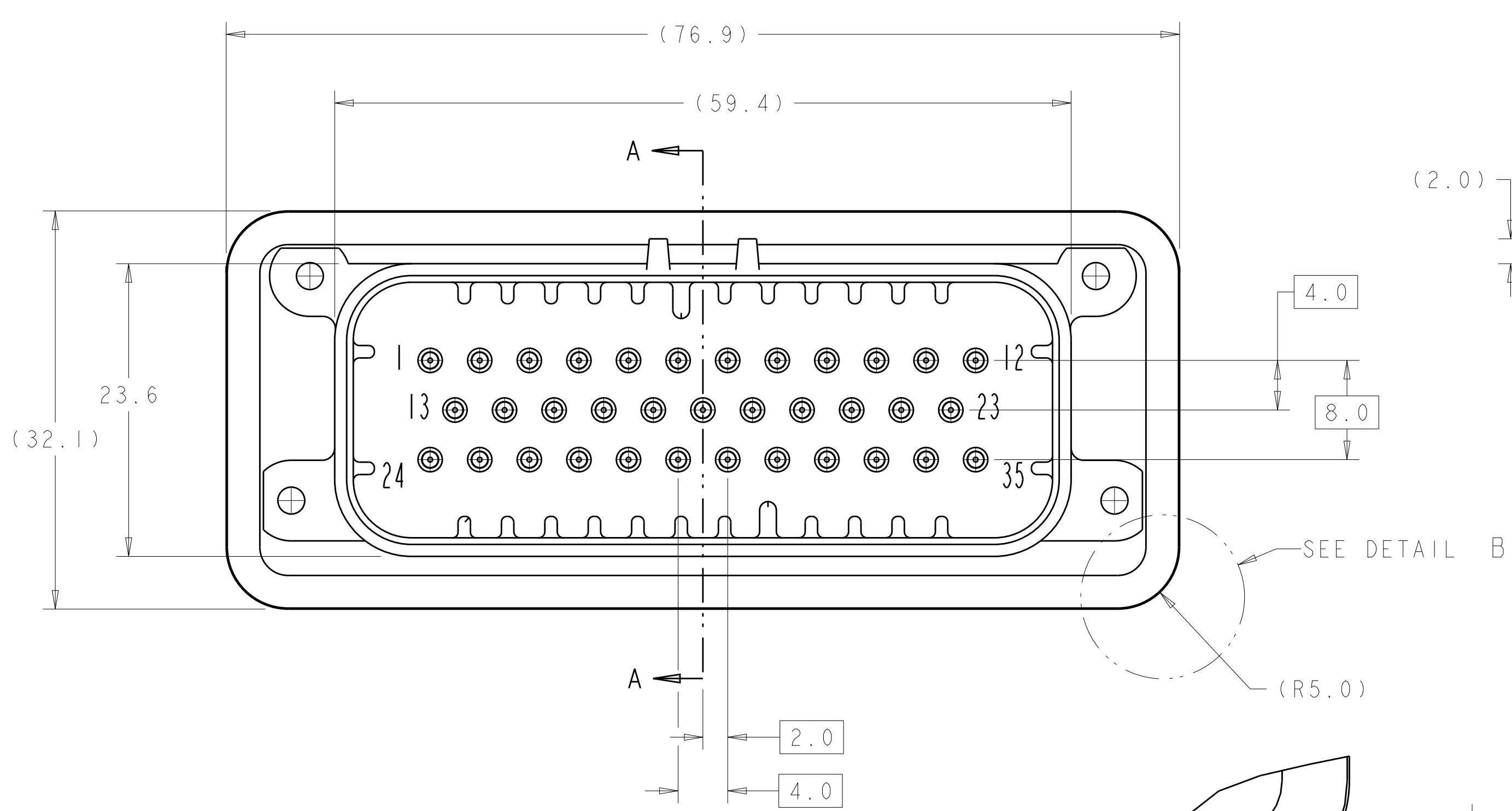
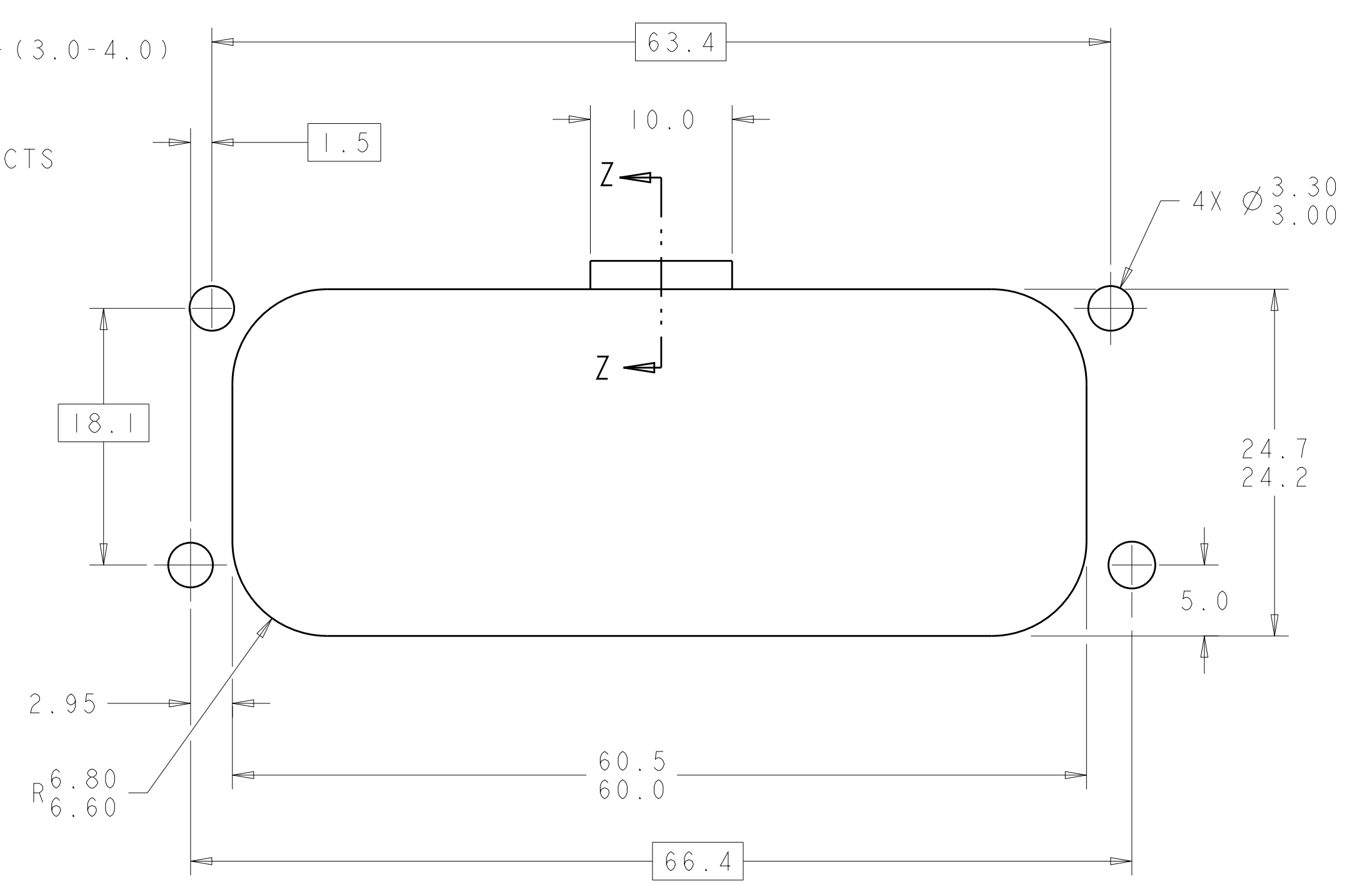
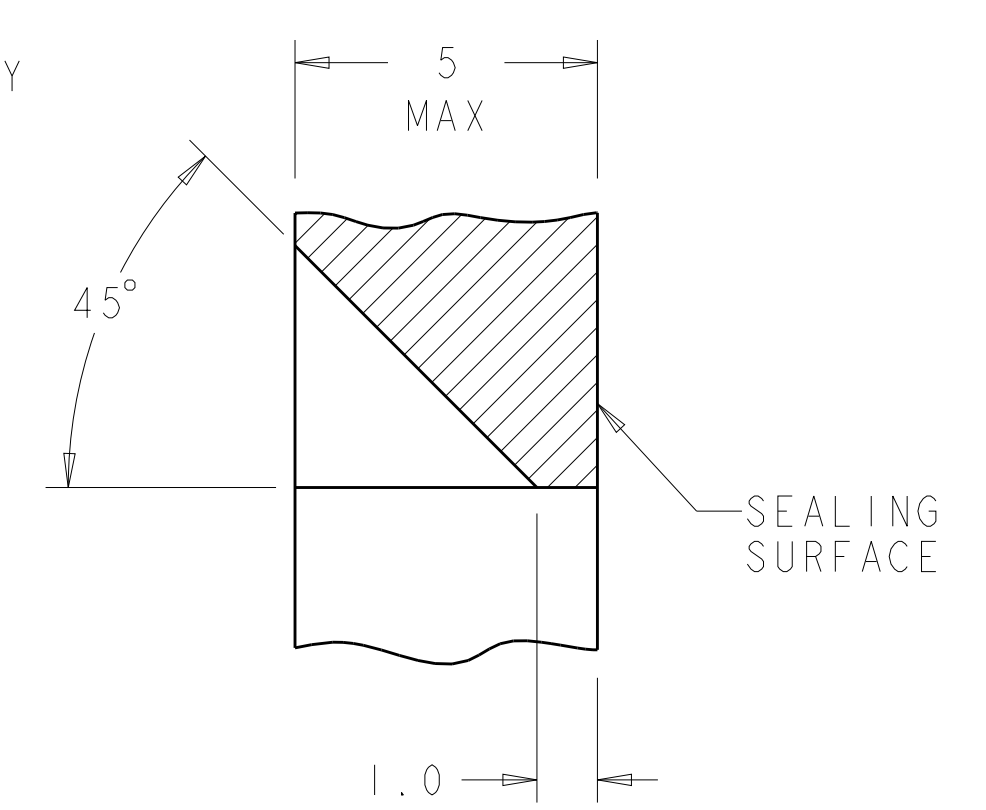
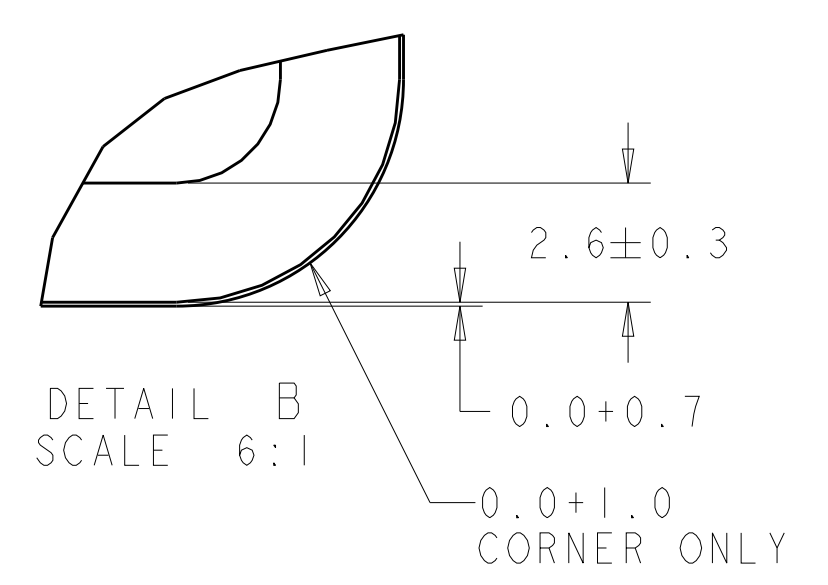
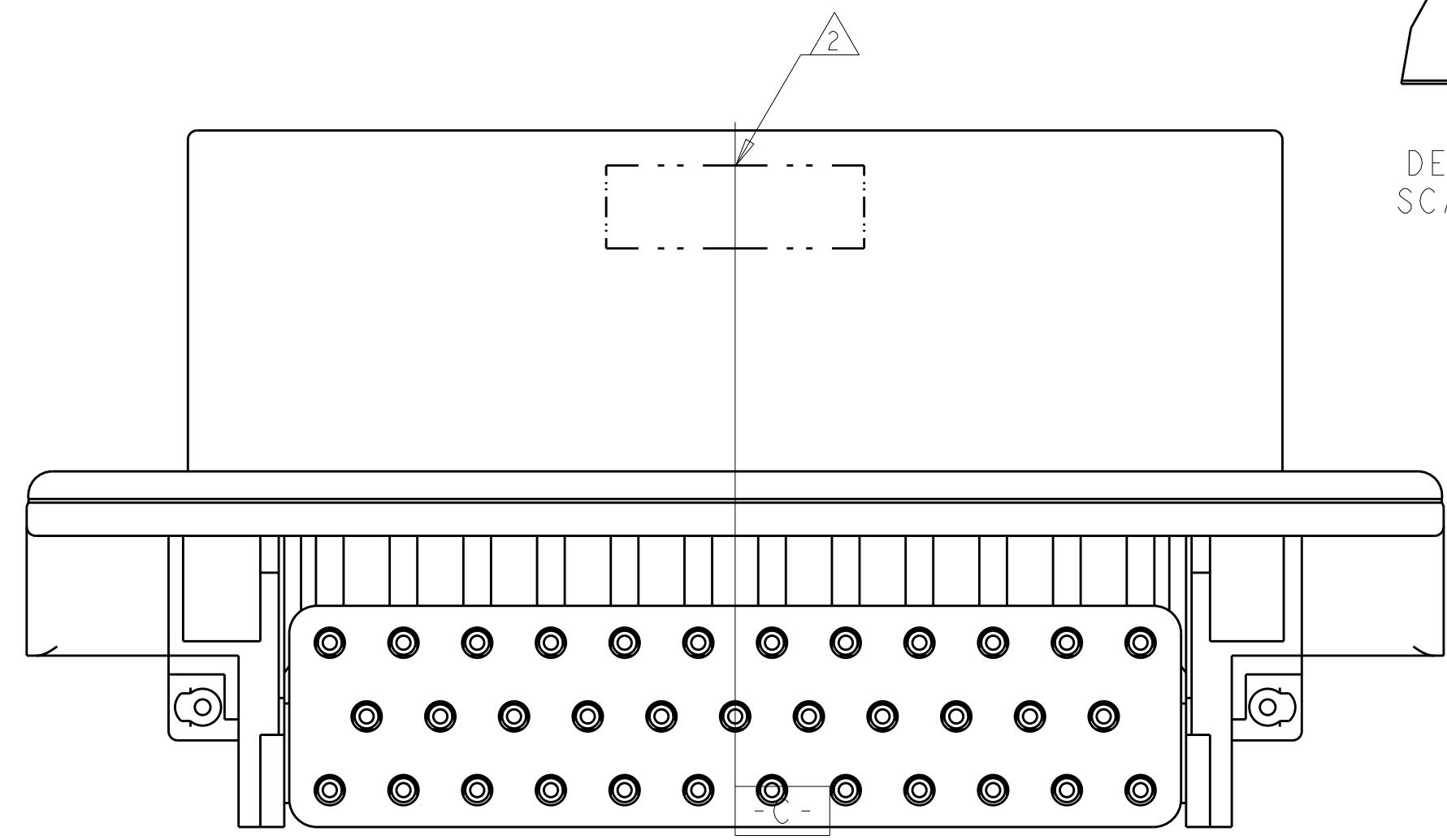


LOC	DIST	REVISIONS					
		P	LTN	DESCRIPTION	DATE	DWN	APVD
GE	00	A1		REV PER EC 0K40-0381-03	19JUN2003	RGV	MPT
		A2		REVISED PER ECO-12-009257	29MAY2012	DD	DS
		A3		OBS PER ECO-19-012540	20AUG2019	DS	DS

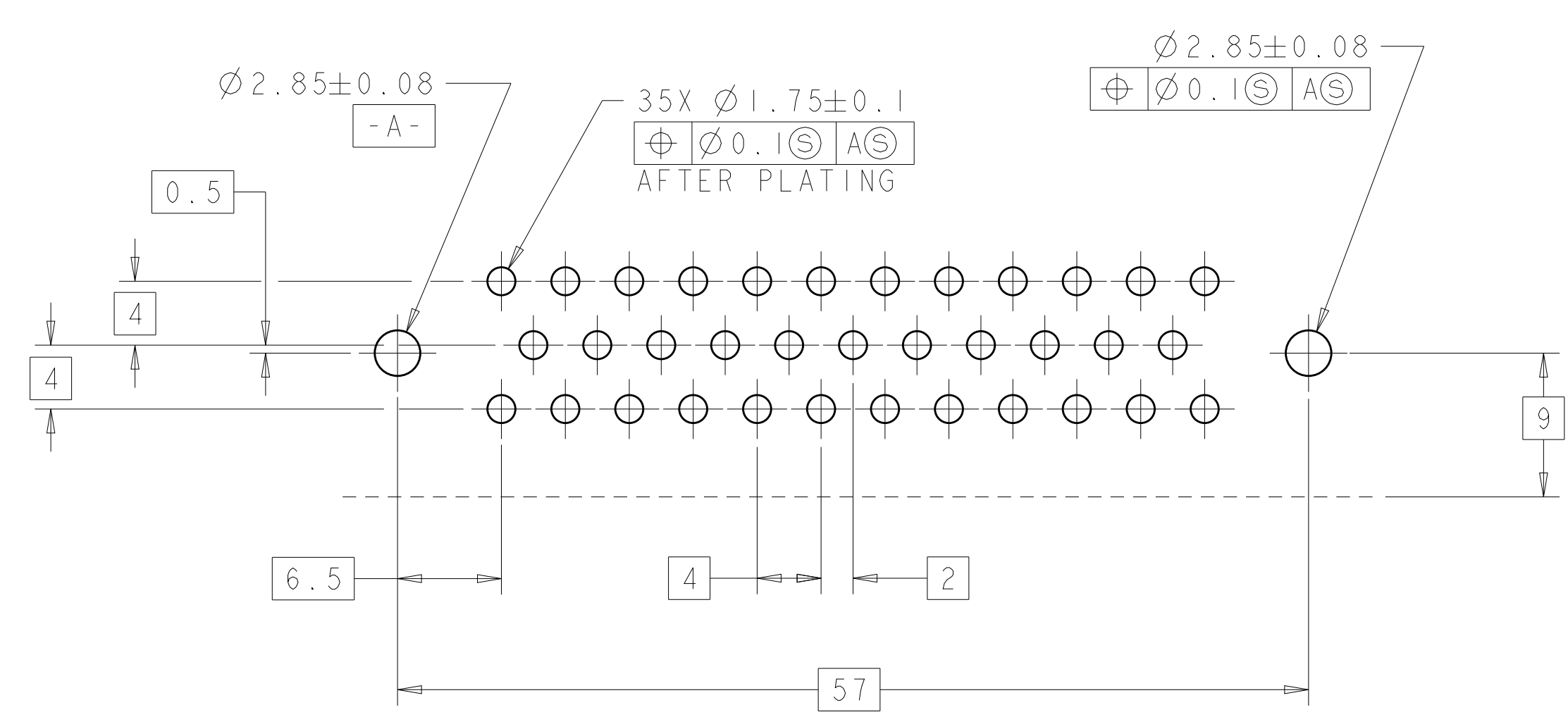


- △ ACCEPTS #4 SELF TAPPING THREAD FORMING SCREW OR METRIC EQUIVALENT TO BE DRIVEN AT 0.6±0.2 N-M.
- △ DATE CODE IN THIS LOCATION USING 5 DIGIT CODE FIRST 2 DIGITS = YEAR, SECOND 2 DIGITS = WEEK LAST DIGIT = DAY
- △ HOUSING COLORS ARE MECHANICALLY KEYS TO MATE ONLY WITH IDENTICALLY COLORED PLUG ASSEMBLIES.
- △ MATERIAL: HEADER HOUSING - GLASS FILLED PBT
 PINS - TIN OR GOLD PLATED BRASS
 GASKET - SILSCONE
 FILTER - PBT
- 5. HEADER MATES TO PLUG ASSEMBLY 776164 WHICH USES REELED TERMINAL 770520 OR LOOSE PIECE TERMINAL 770854

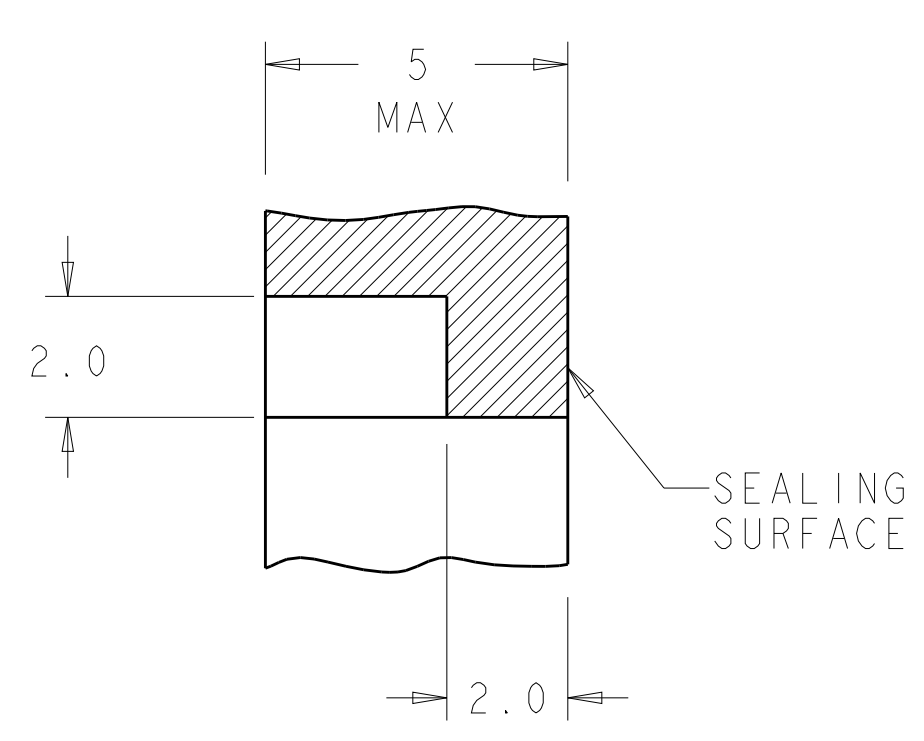


RECOMMENDED MOUNTING HOLE LAYOUT FOR 5.0 MAX THICK PANEL

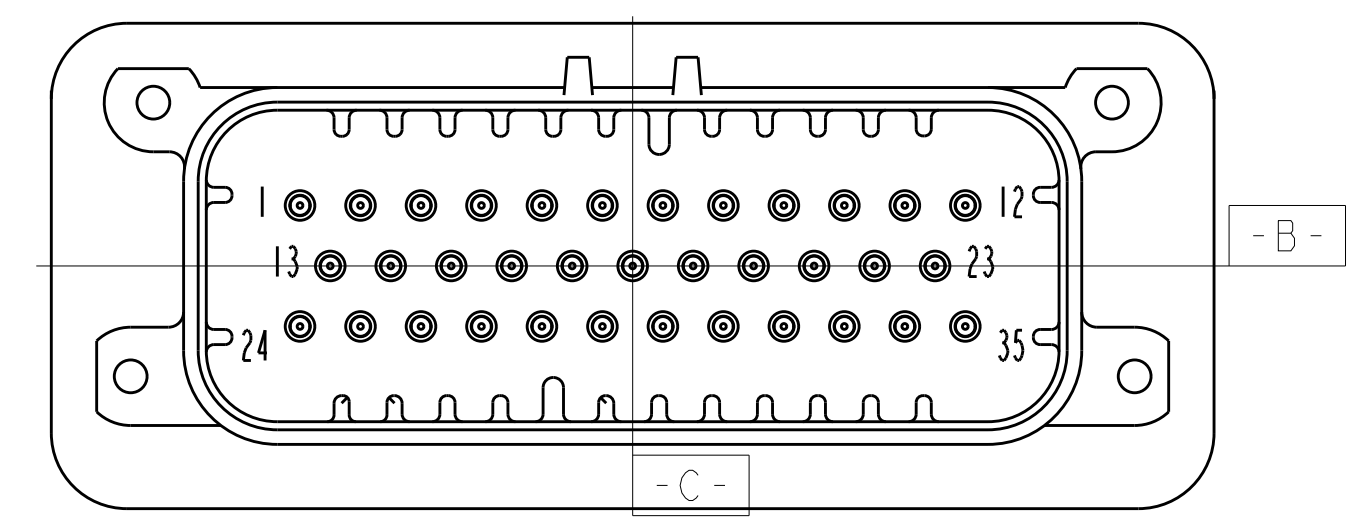
SECTION Z-Z
 OPTIONAL CONSTRUCTION IF THICKNESS IS GREATER THAN 2.0
 SCALE 8:1



RECOMMENDED P.C. BOARD LAYOUT FOR 1.57 THICK P.C. BOARD



SECTION Z-Z
 OPTIONAL CONSTRUCTION IF THICKNESS IS GREATER THAN 2.0
 SCALE 8:1



1-776339-2
 KEY LOCATION AS SHOWN

1-776339-1 AS SHOWN

OBSOLETE

FINISH	HOUSING COLOR	PART NUMBER
DURAGOLD	NATURAL (WHITE)	1-776339-2
DURAGOLD	BLACK	1-776339-1

THIS DRAWING IS A CONTROLLED DOCUMENT.		DWN: R. VESTAL 31DEC2002	TE Connectivity NAME: HEADER ASSEMBLY, 35 POSITION, RIGHT ANGLE, HIGH TEMPERATURE, AMPSEAL SIZE: 114-16016 WEIGHT: A100779 SCALE: 2:1 SHEET 1 OF 1 REV A3
DIMENSIONS: mm		CHK: D. CROWE 31DEC2002	
TOLERANCES UNLESS OTHERWISE SPECIFIED:		APVD: D. CROWE 31DEC2002	
0 PLC ± 1 PLC ±0.3 2 PLC ±0.13 3 PLC ± 4 PLC ± ANGLES ± FINISH ±		PRODUCT SPEC: 108-1329	
MATERIAL: △		APPLICATION SPEC: 114-16016	RESTRICTED TO:
CUSTOMER DRAWING		WEIGHT: A100779	