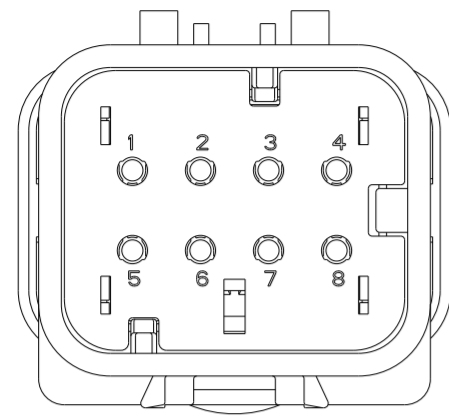
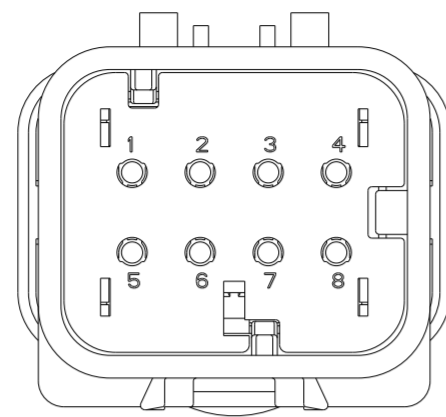


THIS DRAWING IS UNPUBLISHED. RELEASED FOR PUBLICATION. ALL RIGHTS RESERVED.

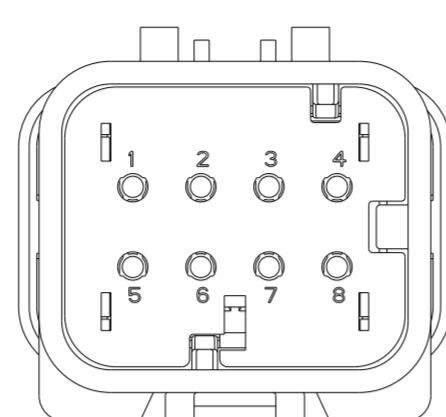
REVISIONS				
P	LTR	DESCRIPTION	DATE	APVD
C	I	REVISED PER ECO-11-005294	21APR2011	RK HMR
D		REVISED PER ECO-13-019231	09DEC2013	DR RB
D	I	REVISED PER PCN-23-190965	31OCT2023	AP CB



776495-2  
SCALE 2:1

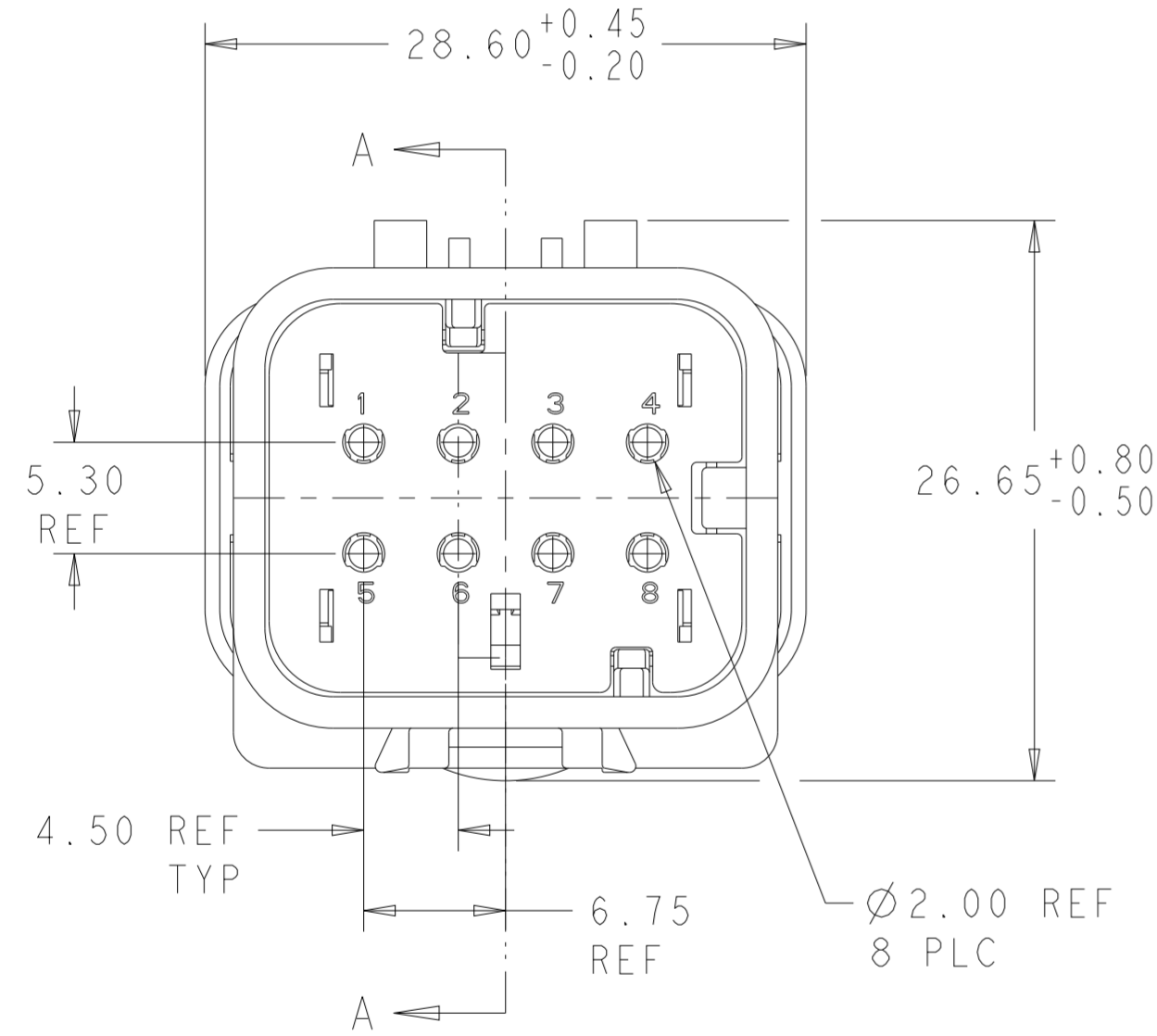


776495-3  
SCALE 2:1

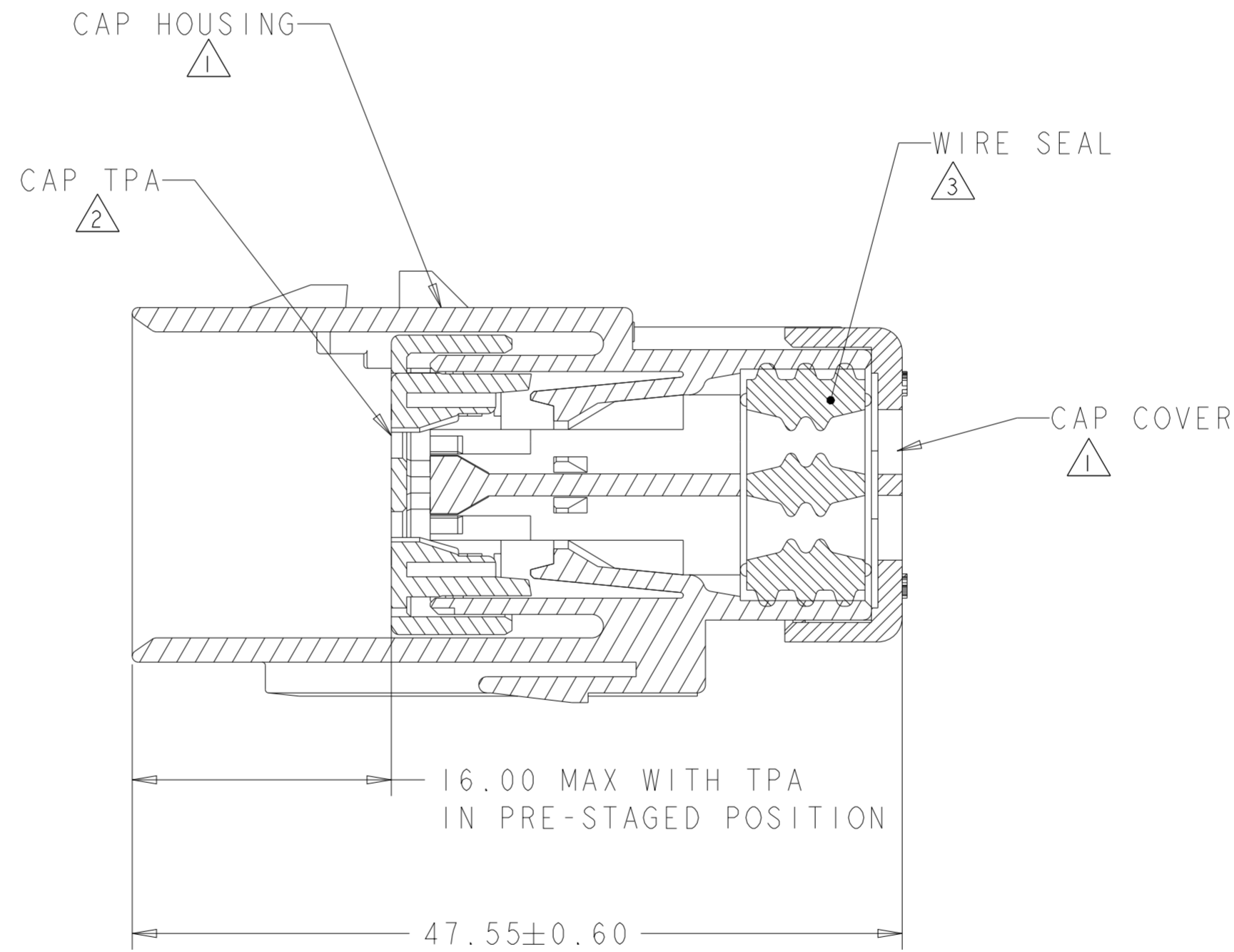


776495-4  
SCALE 2:1

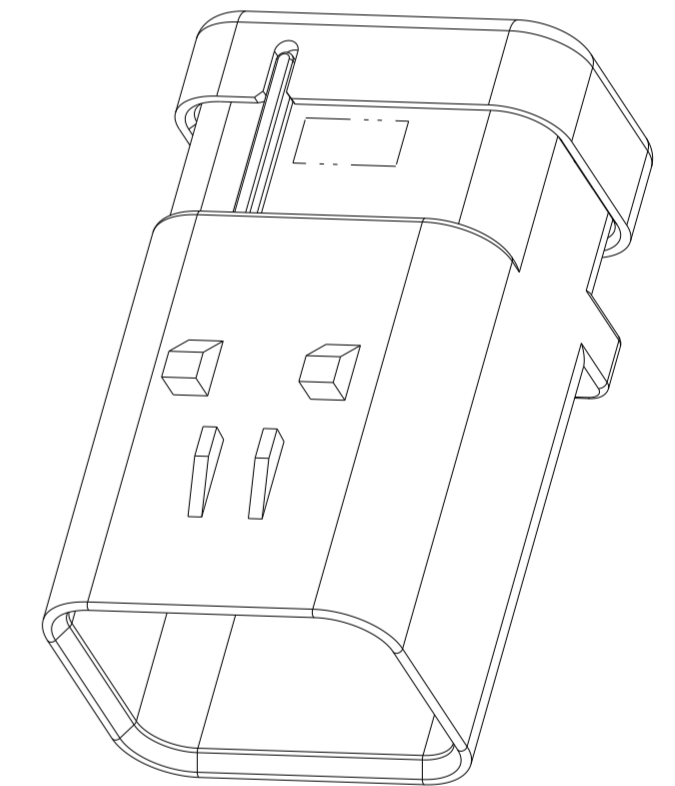
- ① MATERIAL: 15% GLASS FILLED THERMOPLASTIC  
COLOR: BLACK
- ② MATERIAL: 15% GLASS FILLED THERMOPLASTIC  
COLOR: (SEE TABLE)
- ③ MATERIAL: SILICONE  
COLOR: GREEN



776495-1 SHOWN



SECTION A-A



SCALE 2:1

GREEN	776495-4
YELLOW	776495-3
GRAY	776495-2
RED	776495-1
TPA COLOR	PART NUMBER

THIS DRAWING IS A CONTROLLED DOCUMENT.		DWN Y. PETERSON 17DEC02	TE Connectivity	
DIMENSIONS: mm		CHK R. GREINER 17DEC02		
TOLERANCES UNLESS OTHERWISE SPECIFIED:		APVD R. GREINER 17DEC02	NAME CAP ASSEMBLY, 8 POSITION, DUAL ROW, AMPSEAL 16	
0 PLC ± 1 PLC ± 2 PLC ± 3 PLC ± 4 PLC ± ANGLES ± FINISH -		PRODUCT SPEC 108-2184	SIZE A2	CAGE CODE -
MATERIAL -		APPLICATION SPEC 114-13065	DRAWING NO G-776495	RESTRICTED TO -
		WEIGHT 17.5±1g	SCALE 2:1	SHEET 1 OF 1
		Customer Drawing	REV DI	