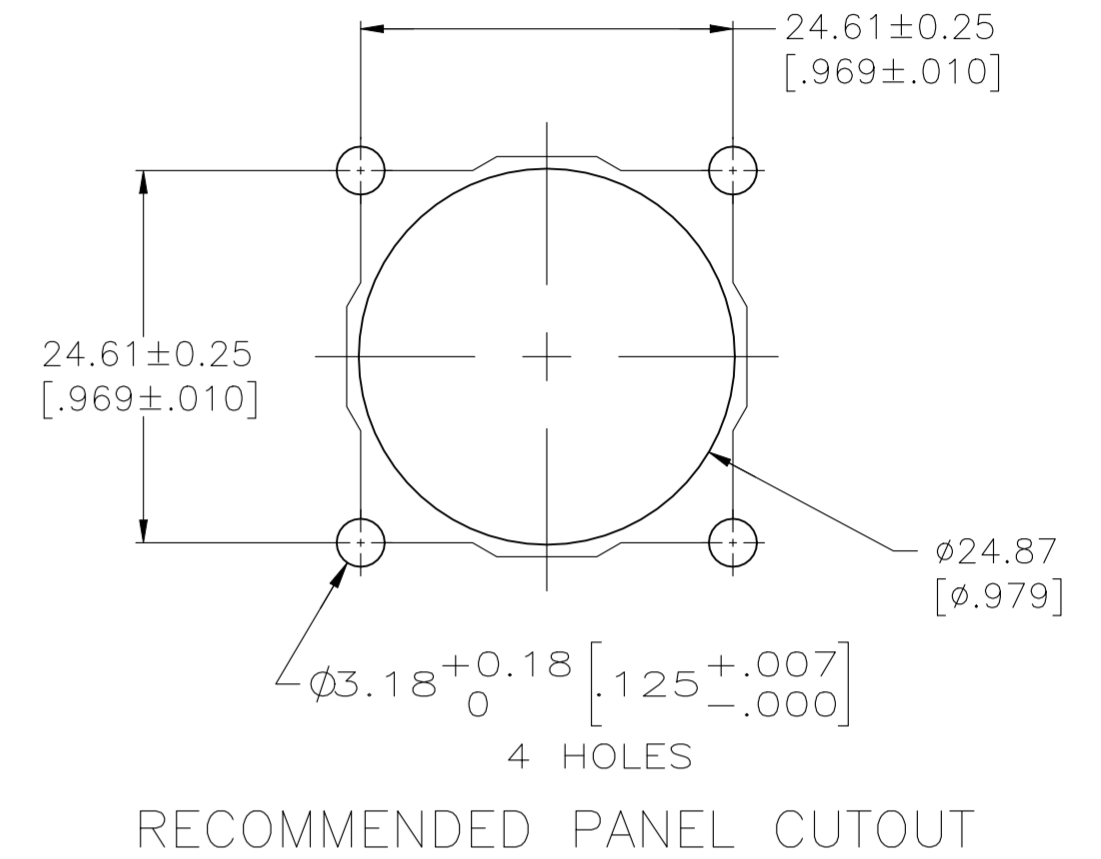
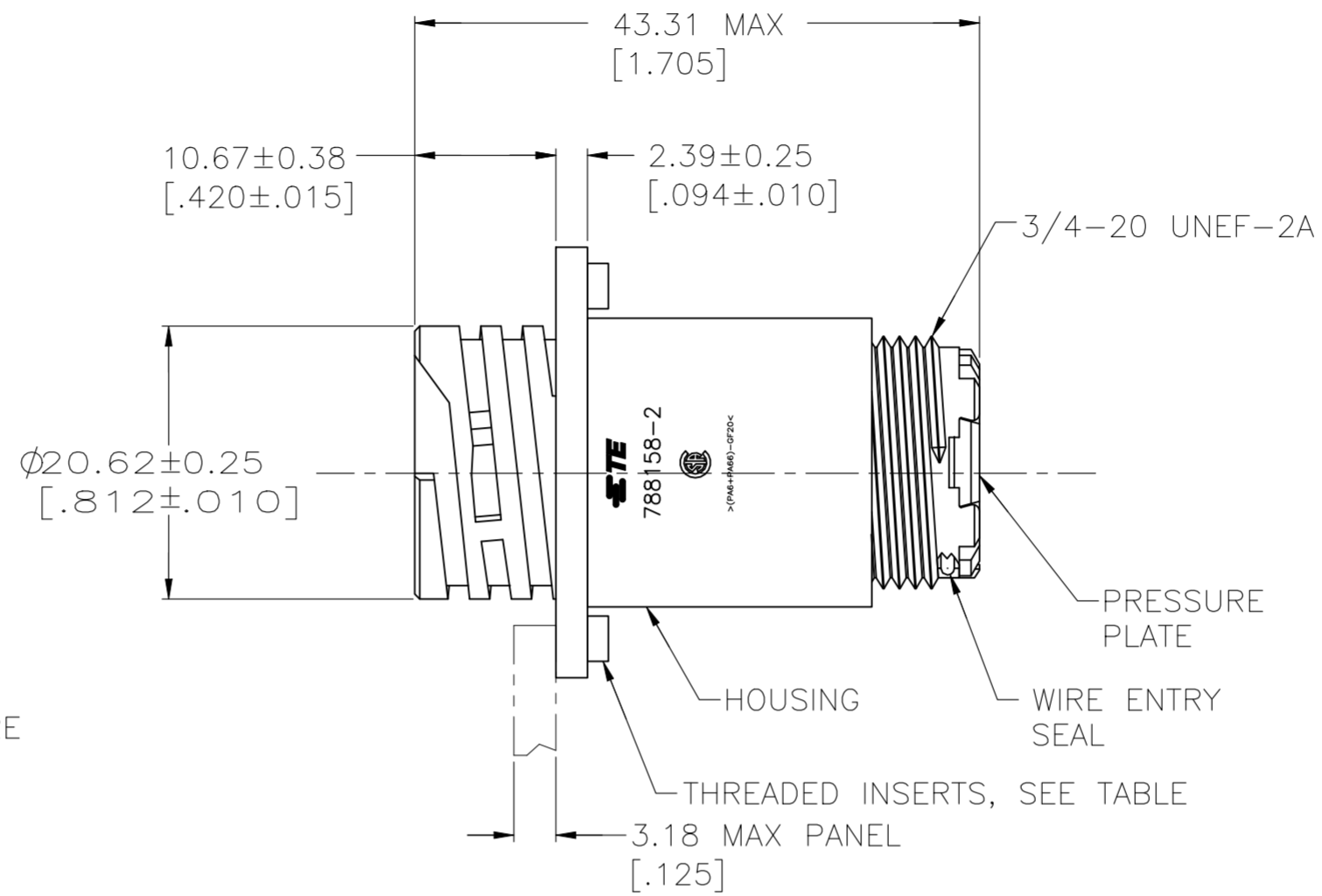
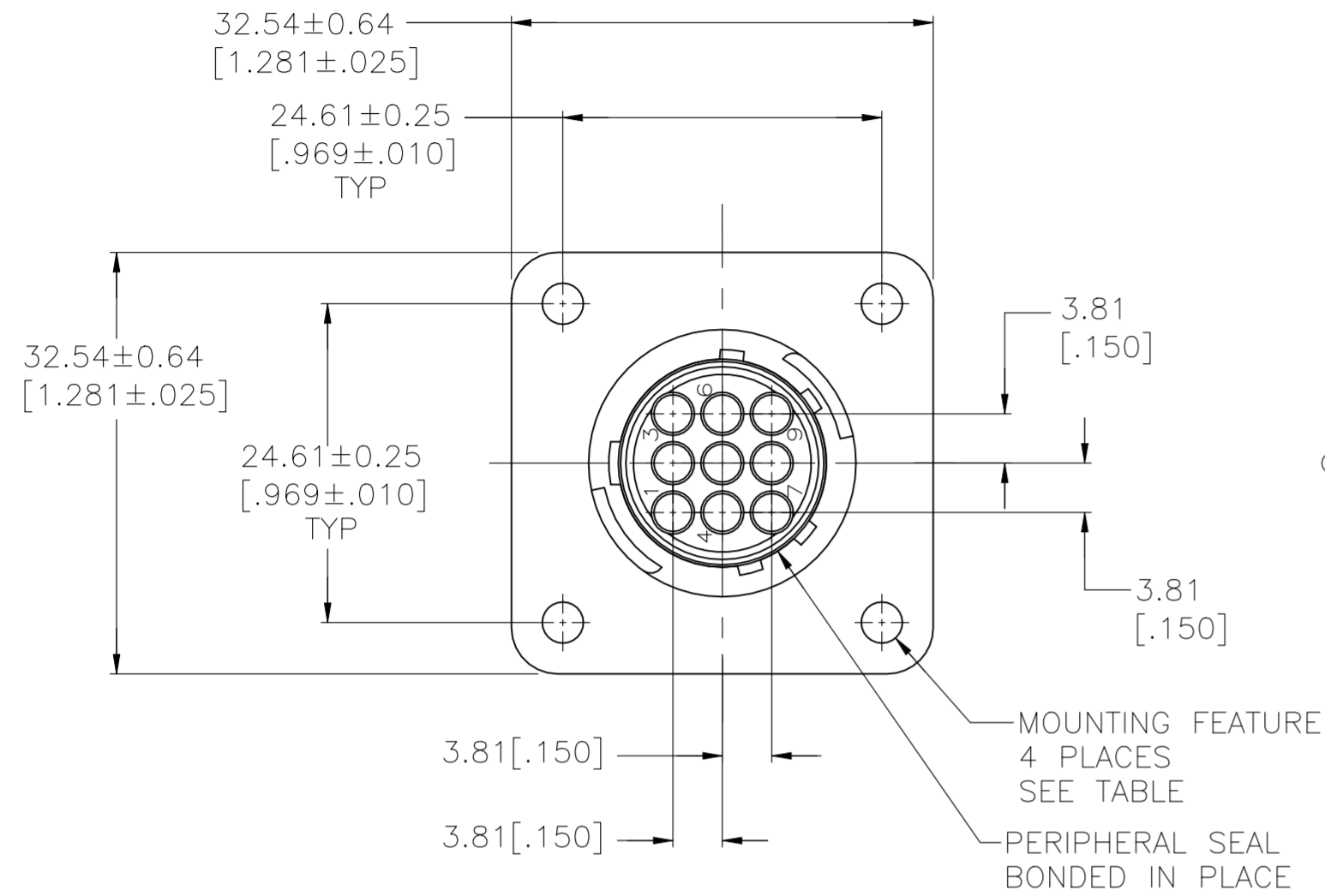


REVISIONS					
P	LTR	DESCRIPTION	DATE	DWN	APVD
F		REVISED PER ECO-21-006944	12OCT2021	RK	MZ



1 THIS PART WILL ACCEPT NINE (9) MULTIMATE PIN CONTACTS.

2 HOUSING AND PRESSURE PLATE: NYLON, BLACK.
 PERIPHERAL SEAL: ELASTOMER, BLACK.
 WIRE ENTRY SEAL: ELASTOMER, RED-IRON OXIDE.
 THREADED INSERTS: BRASS.

3 OBSOLETE PARTS: OBSOLETE CIS STREAMLINING PER D.RENAUD/D.SINISI.

3 OBSOLETE	#4-40 THREADED INSERTS	.065-.100	STANDARD	788158-4
3 OBSOLETE	#4-40 THREADED INSERTS	.040-.080	SMALL	788158-3
3 OBSOLETE	Ø3.18 (.125) HOLES	.065-.100	STANDARD	788158-2
3 OBSOLETE	Ø3.18 (.125) HOLES	.040-.080	SMALL	788158-1
	MOUNTING FEATURE	WIRE INSULATION DIAMETER RANGE	INSULATION	PART NUMBER

THIS DRAWING IS A CONTROLLED DOCUMENT.		DWN	26 AUG 98	C.DORWART	
DIMENSIONS: mm [INCHES]		CHK	26 AUG 98	R.WALTER	
TOLERANCES UNLESS OTHERWISE SPECIFIED:		APVD	26 AUG 98	R.WALTER	
0 PLC	± -	NAME			
1 PLC	± -	RCPT ASSY, 13-9,			
2 PLC	± 0.13 [.005]	STD SEX, SERIES I, SEALED,			
3 PLC	± -	CIRCULAR PLASTIC CONNECTOR			
4 PLC	± -	SIZE	CAGE CODE	DRAWING NO	RESTRICTED TO
ANGLES	± -	A2	00779	C=788158	-
MATERIAL	FINISH	WEIGHT	CUSTOMER DRAWING		
2	-	-	SCALE	SHEET	REV
			2:1	1 OF 1	F