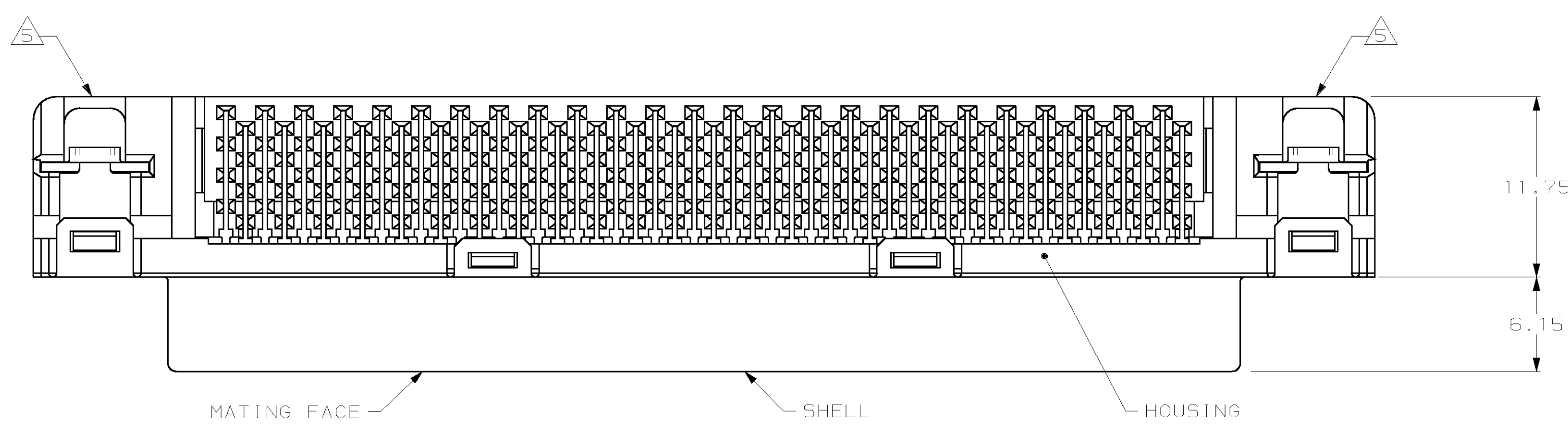
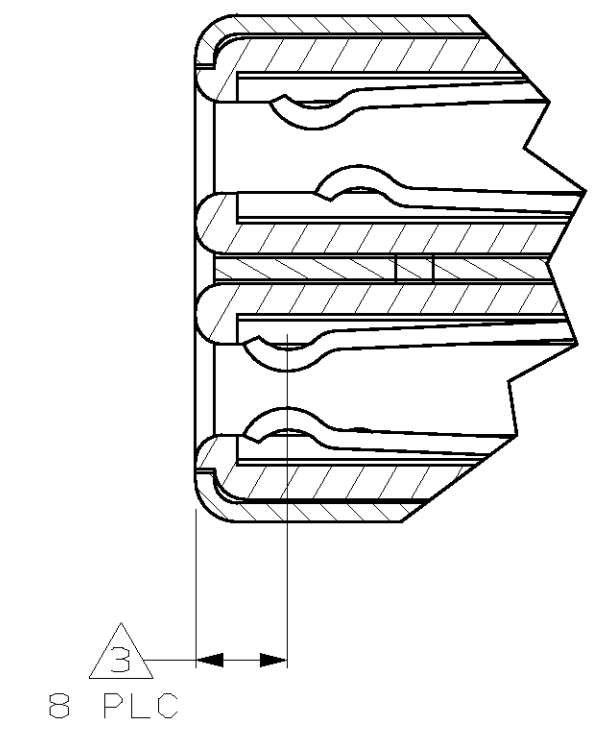
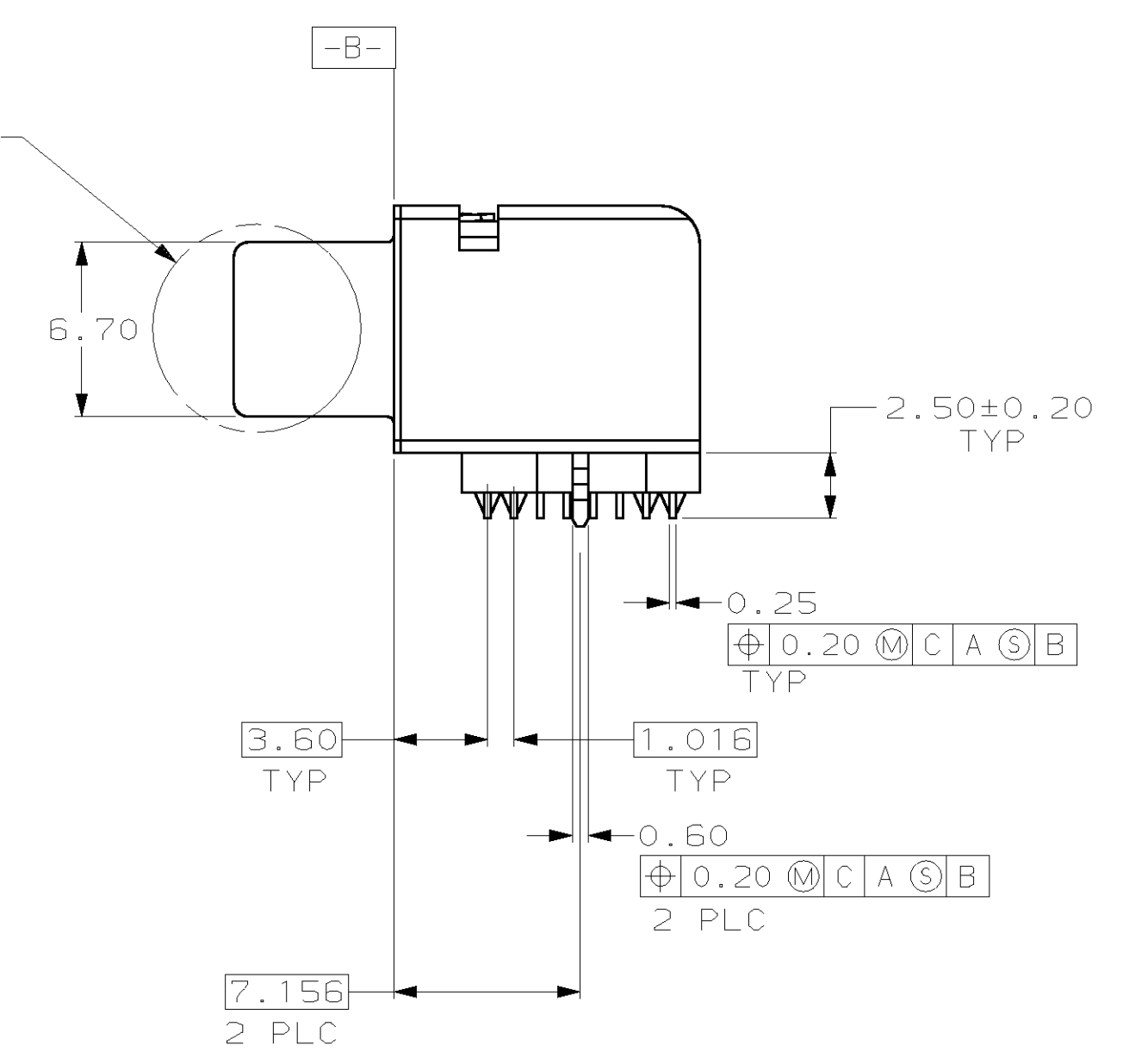
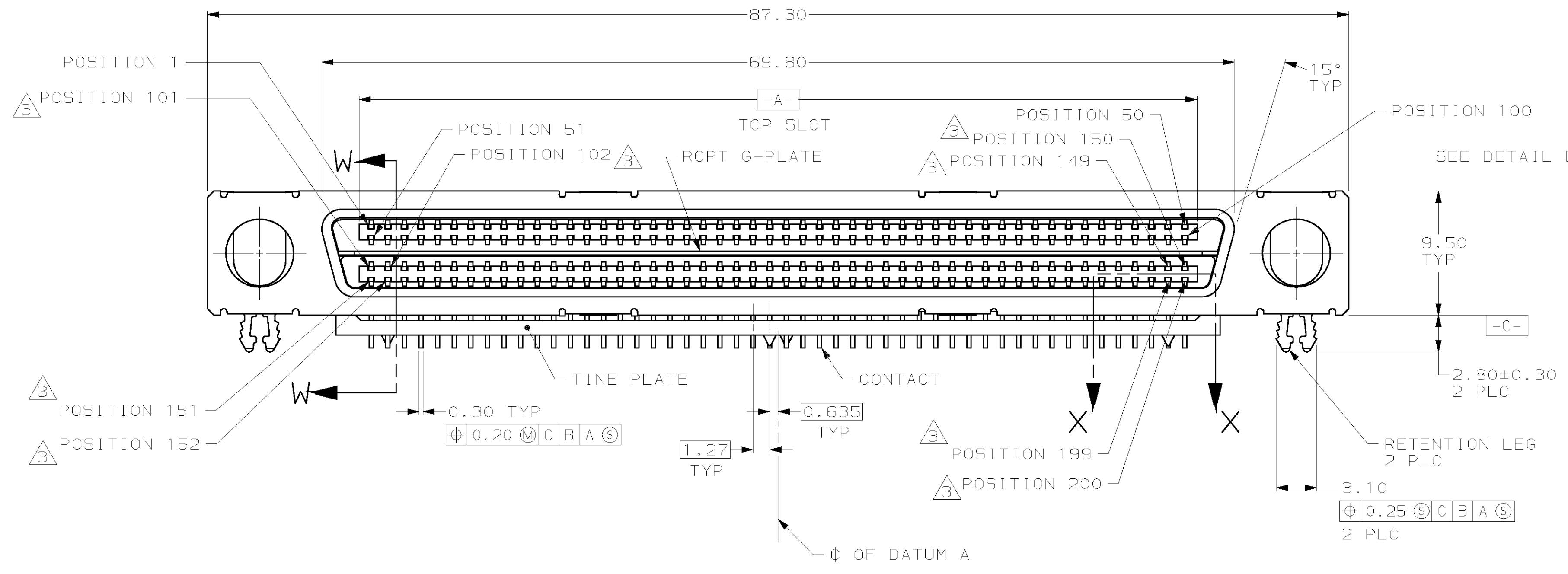


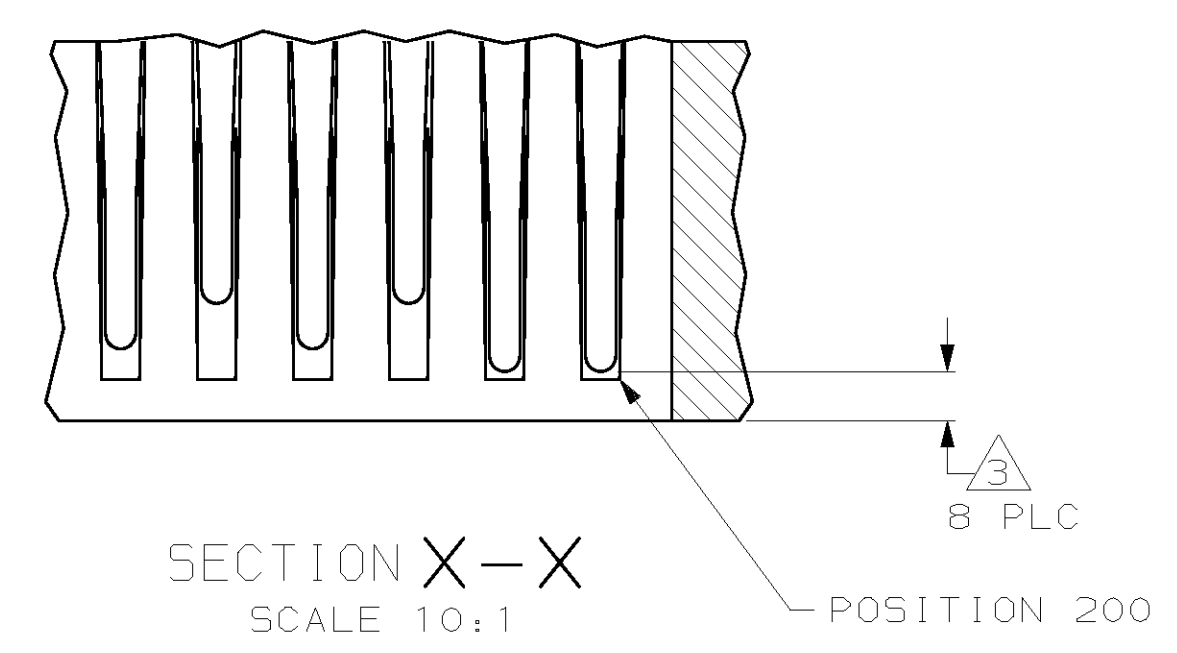
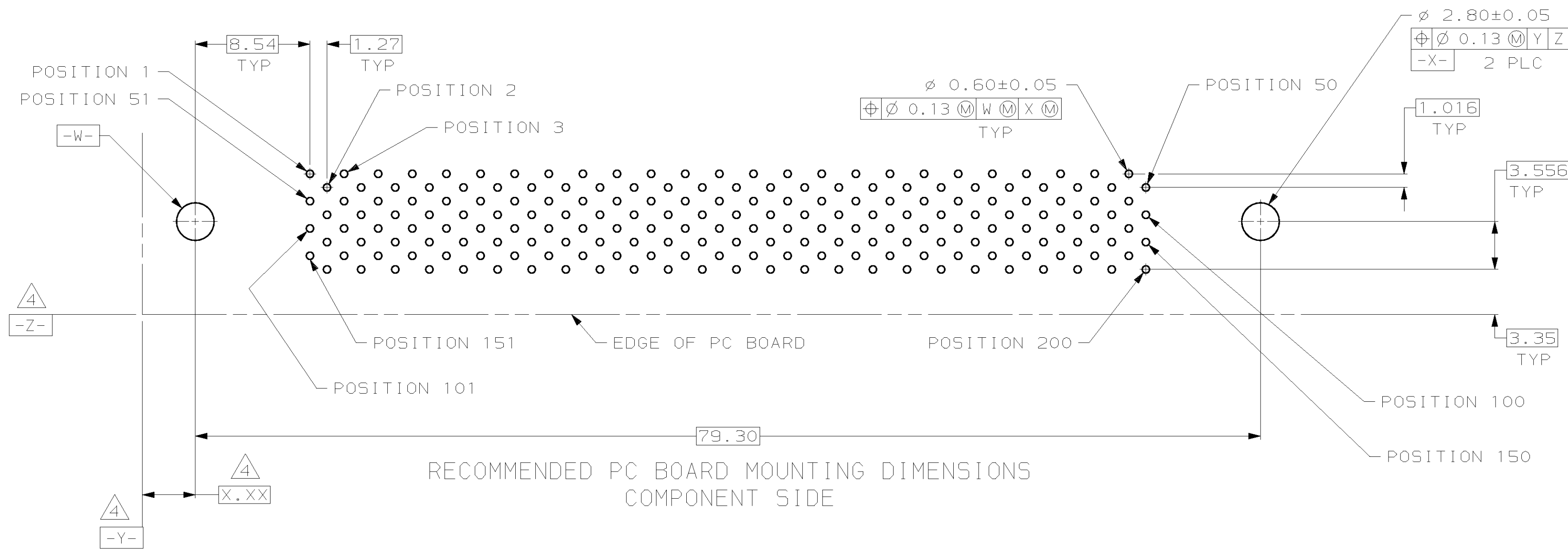
REVISONS		DATE	OWN	APPRO
0	RLSE PER NPR 154 WAS 98-1998-1	21 OCT 98	-	-



- ① HOUSING AND TINE PLATE: POLYESTER, NATURAL.  
CONTACTS: PHOSPHOR BRONZE.  
SHELL: CARBON STEEL.  
RCPT G-PLATE: STAINLESS STEEL.  
RETENTION LEG: BRASS.
- ② SHELL: 3.00µm MIN NICKEL OVER 1.30µm MIN COPPER.  
RETENTION LEG: 2.00µm MIN TIN-LEAD OVER 1.00µm MIN NICKEL.  
CONTACTS: 0.76µm MIN GOLD FOR A LENGTH OF 0.90 MIN FROM MATING END,  
2.54 MIN TIN-LEAD FOR A LENGTH OF 2.70 MIN FROM OPPOSITE END,  
BOTH OVER 1.27µm MIN NICKEL.
- ③ CONTACTS 101, 102, 149, 150, 151, 152, 199, AND 200 ARE SEQUENCED TOWARD MATING FACE AS SHOWN, ALL OTHERS ARE SEQUENCED IN A STAGGERED PATTERN.
- ④ DATUMS AND BASIC DIMENSIONS ESTABLISHED BY CUSTOMER.
- ⑤ DATE CODE MAY BE MARKED ON EITHER END.



DETAIL D  
SCALE 10:1



788450-1  
PART NUMBER

THIS DRAWING IS A CONTROLLED DOCUMENT.		DWN M. BINNER 21 OCT 98	AMP Incorporated Harrisburg, PA 17105-3608
TOLERANCES UNLESS OTHERWISE SPECIFIED.		CHK C. OBERMAN 22 OCT 98	
DIMENSIONS:	mm	APPROV S. L. INDRSTROM 27 OCT 98	NAME
0 PLC	±	PRODUCT SPEC	RECEPTACLE ASSEMBLY, 200
1 PLC	±0.25	APPLICATION SPEC	POSITION, RIGHT ANGLE, .050, CHAMP™
2 PLC	±	SIZE	A1
3 PLC	±	CAGE CODE	788450
4 PLC	±	DRAWING NO	788450
UNLESS FINISH	AS*	WEIGHT	-
MATERIAL		CUSTOMER DRAWING	SCALE 4:1 SHEET 1 OF 1 REV 0