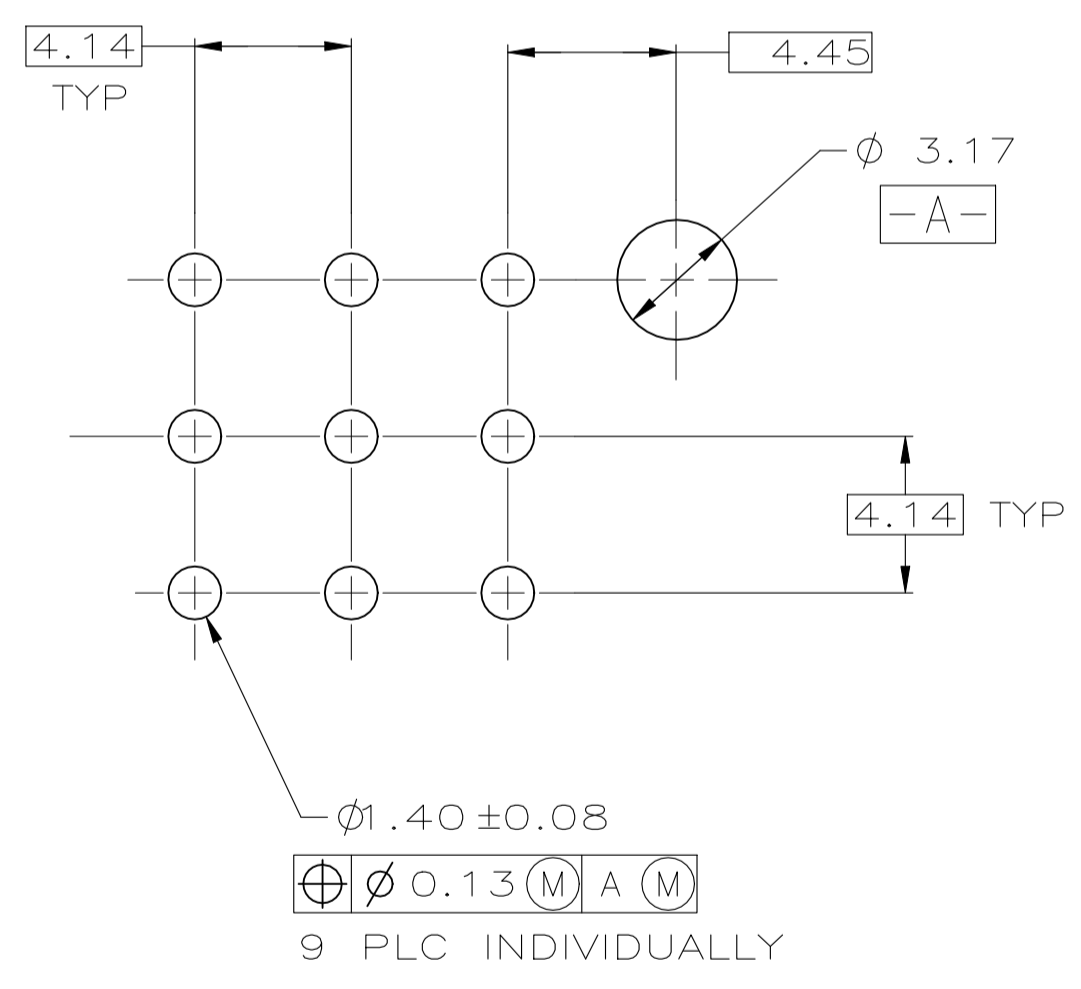
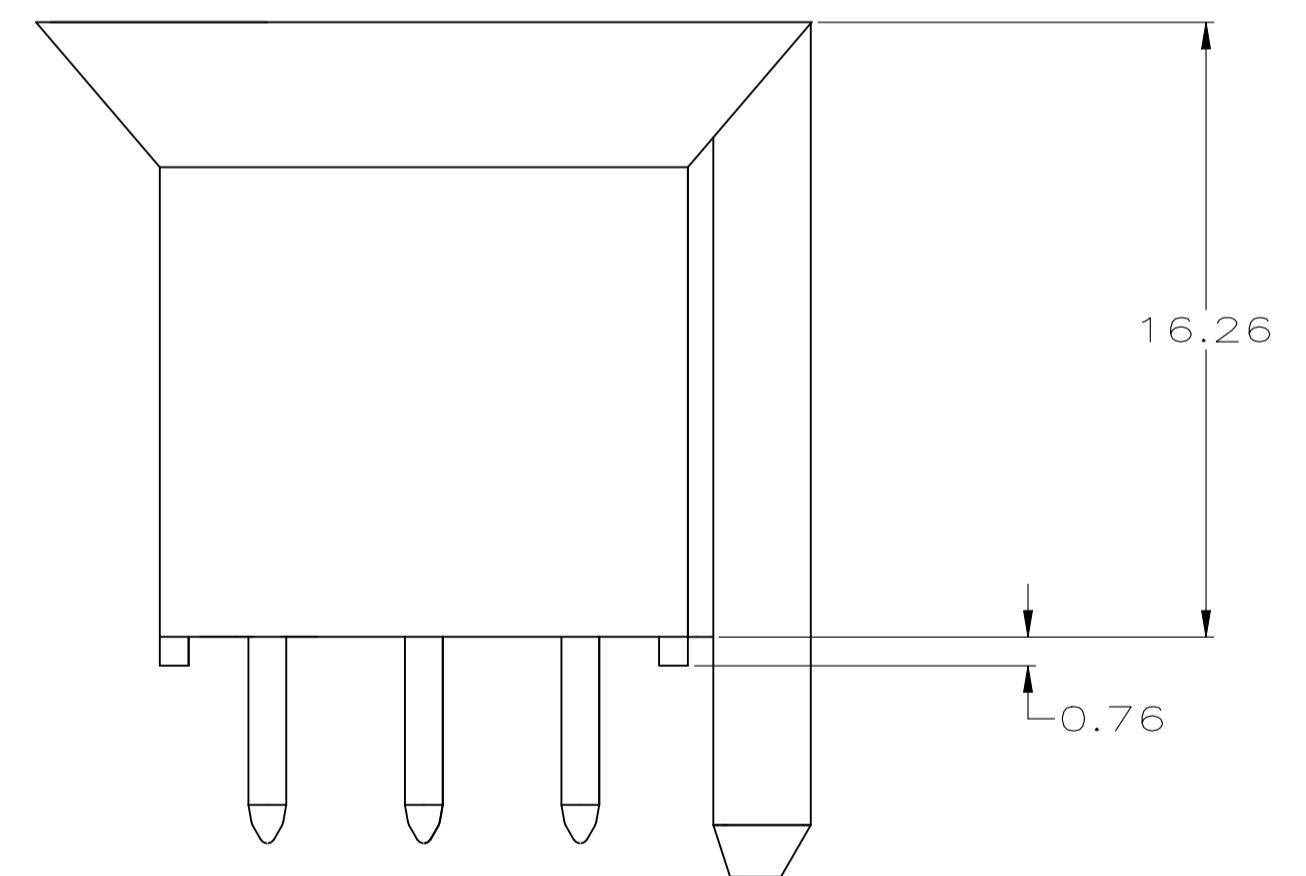
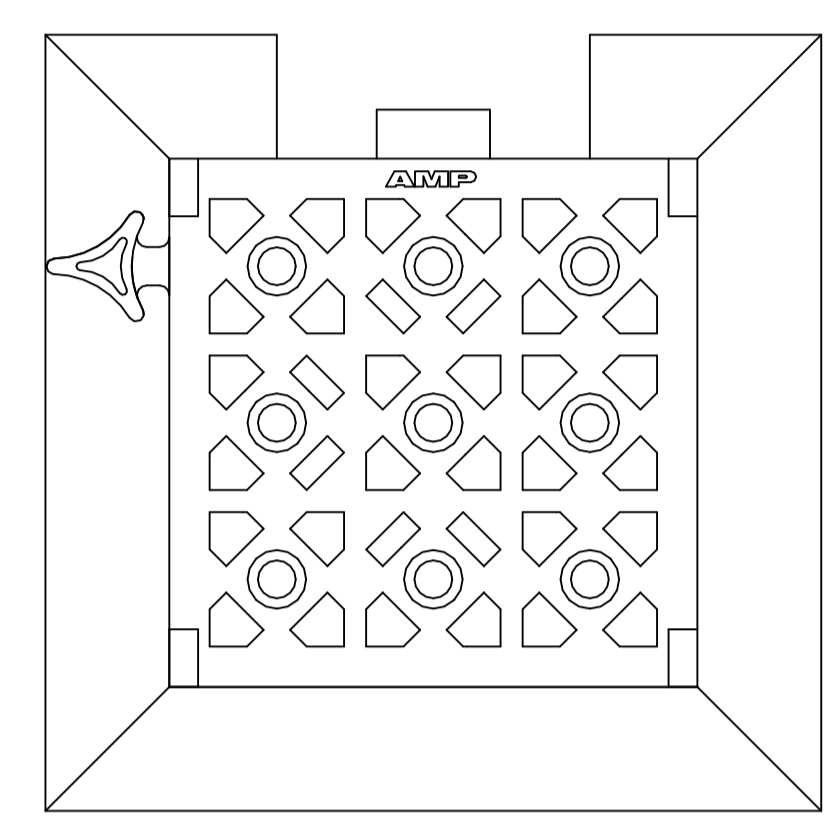
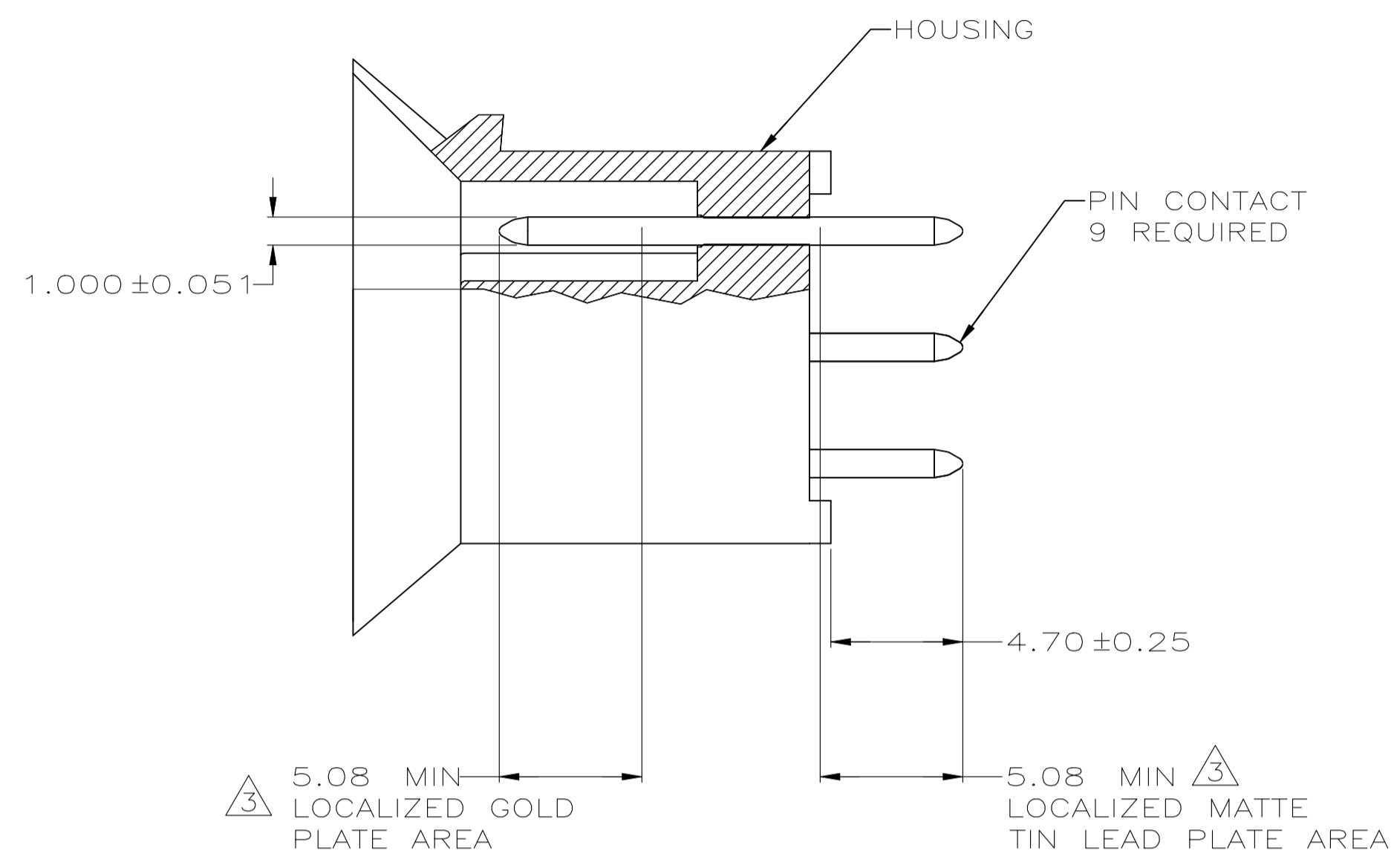
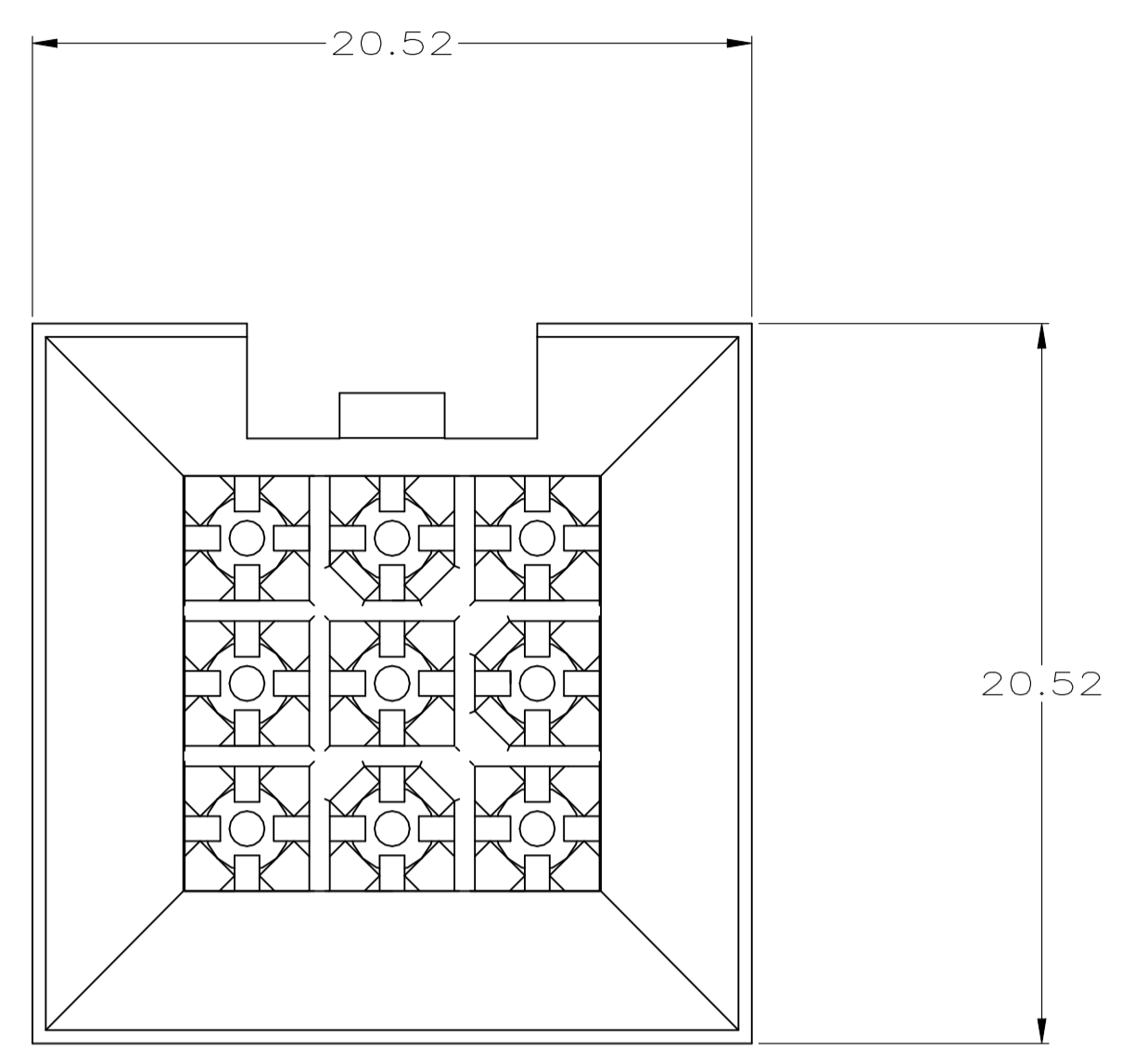
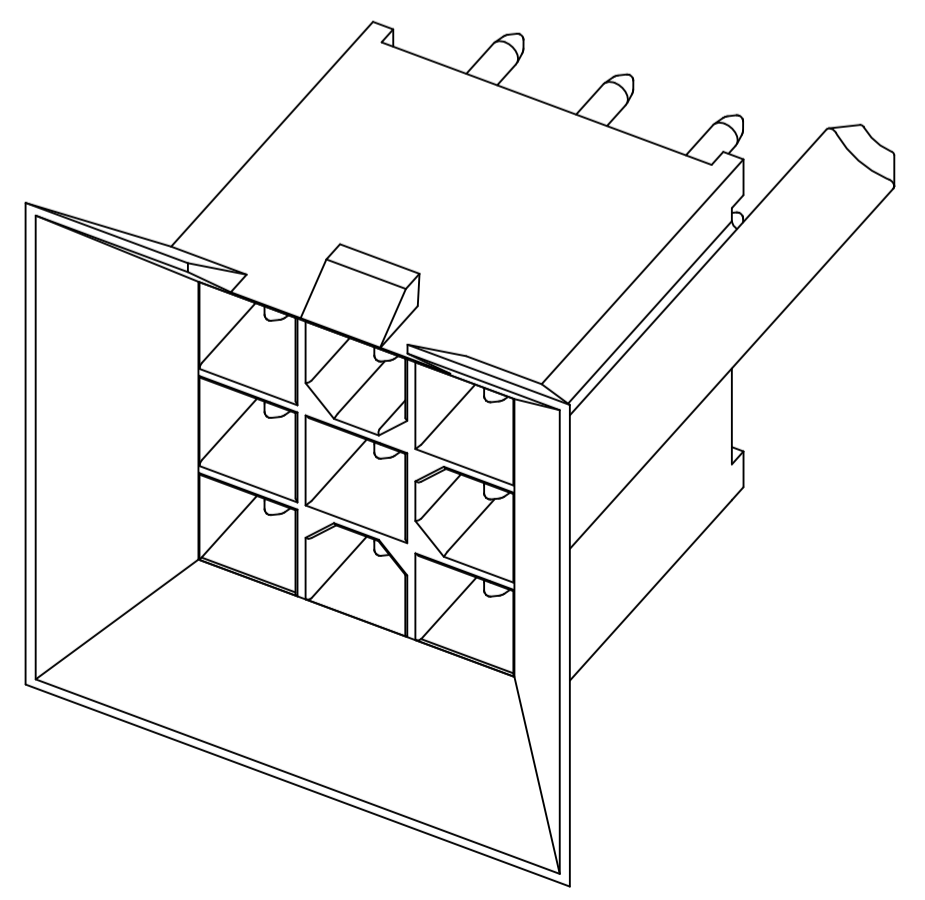


| REVISIONS |           |                           |    |       |
|-----------|-----------|---------------------------|----|-------|
| REV       | DATE      | DESCRIPTION               | BY | APP'D |
| D4        | 28MAY2024 | REVISED PER ECR-24-209984 | DK | JP    |

- PINS TO COMPLY WITH AMP SOLDERABILITY SPEC. 108-11-3.
- 0.00381 MIN MATTE TIN LEAD OVER 0.00127 MIN NICKEL.
- 0.00076 MIN GOLD PLATE IN THE LOCALIZED PLATE AREA, 0.00381 MATTE TIN LEAD IN THE LOCALIZED PLATE AREA, BOTH OVER 0.00127 MIN NICKEL.
- 0.00381 MIN MATTE TIN OVER 0.00127 MIN NICKEL.
- 0.00076 MIN GOLD PLATE IN THE LOCALIZED GOLD PLATE AREA, 0.00381 MIN MATTE TIN IN THE LOCALIZED TIN PLATE AREA, BOTH OVER 0.00127 MIN NICKEL.



RECOMMENDED MOUNTING HOLE PATTERN FOR 1.57 THICK P.C. BOARD



3-DIMENSIONAL MODEL NTS

| MM      | IN       | MM    | IN   |
|---------|----------|-------|------|
| 1.000   | .0394    | 20.52 | .808 |
| 0.76    | .030     | 16.26 | .640 |
| 0.25    | .010     | 5.08  | .200 |
| 0.13    | .005     | 4.70  | .185 |
| 0.08    | .003     | 4.45  | .175 |
| 0.051   | .0020    | 4.14  | .163 |
| 0.00381 | 0.000150 | 3.17  | .125 |
| 0.00127 | 0.000050 | 1.57  | .062 |
| 0.00076 | 0.000030 | 1.40  | .055 |
| MM      | IN       | MM    | IN   |

CONVERSION TABLE

| PIN CONTACT MATERIAL | FINISH | HOUSING MATERIAL AND COLOR | PART NUMBER |
|----------------------|--------|----------------------------|-------------|
| BRASS                | 5      | NYLON, 94V-0, WHITE        | 1-794130-1  |
| BRASS                | 4      | NYLON, 94V-0, WHITE        | 1-794130-0  |
| BRASS                | 3      | NYLON, 94V-0, WHITE        | 794130-2    |
| BRASS                | 2      | NYLON, 94V-0, WHITE        | 794130-1    |

|  |        |                         |                  |
|--|--------|-------------------------|------------------|
| THIS DRAWING IS A CONTROLLED DOCUMENT. |        | DIN K WHITAKER 10-14-96 | TE Connectivity  |
| DIMENSIONS: mm                         |        | CHK R SWING 10-14-96    |                  |
| TOLERANCES UNLESS OTHERWISE SPECIFIED: |        | APP'D R ORSTAD 10-14-96 | NAME             |
| 0. PLC                                 | ±      | PRODUCT SPEC            | APPLICATION SPEC |
| 1. PLC                                 | ±      | SIZE                    | CAGE CODE        |
| 2. PLC                                 | ± 0.13 | WEIGHT                  | DRAWING NO       |
| 3. PLC                                 | ±      | RESTRICTED TO           | SCALE            |
| 4. PLC                                 | ±      | CUSTOMER DRAWING        | SHEET 1 OF 1     |
| ANGLES                                 | ±      |                         | REV D4           |