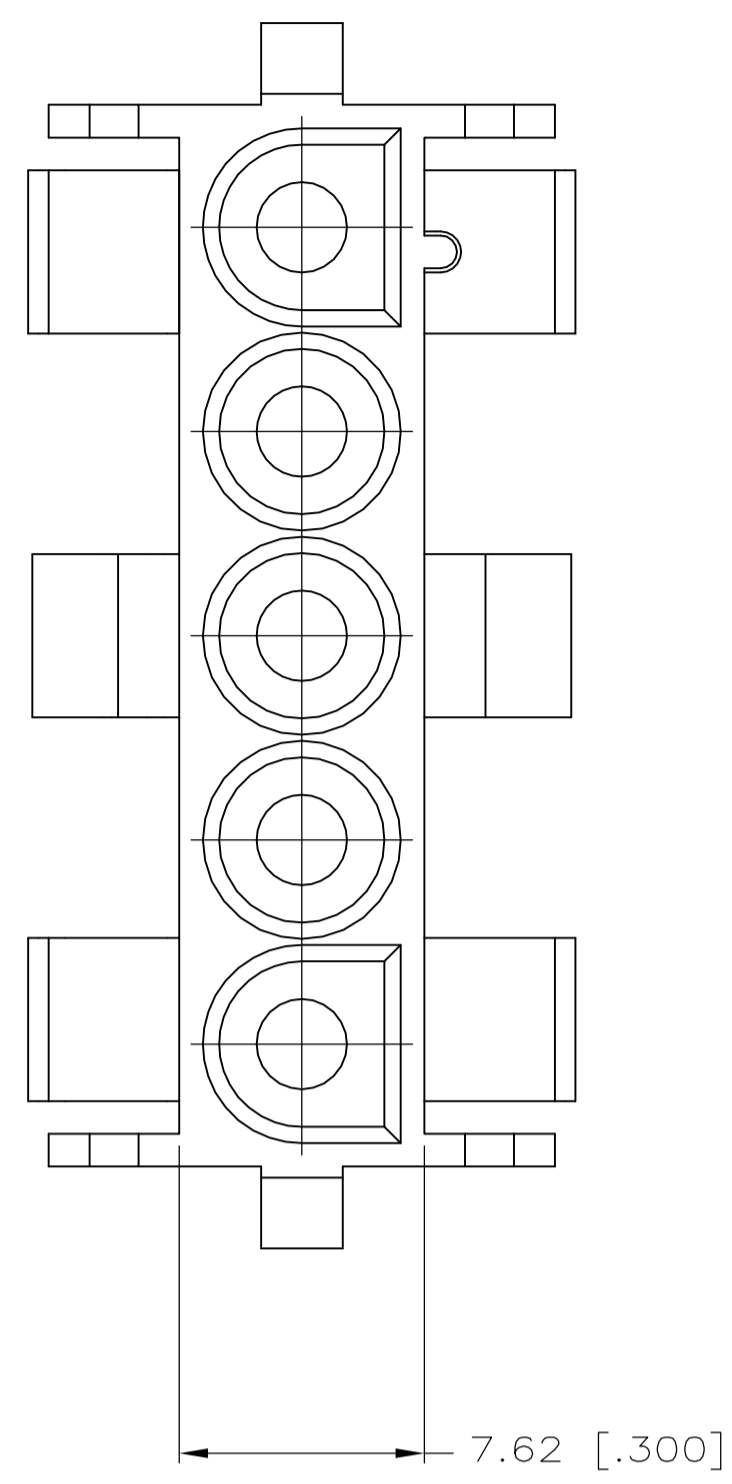
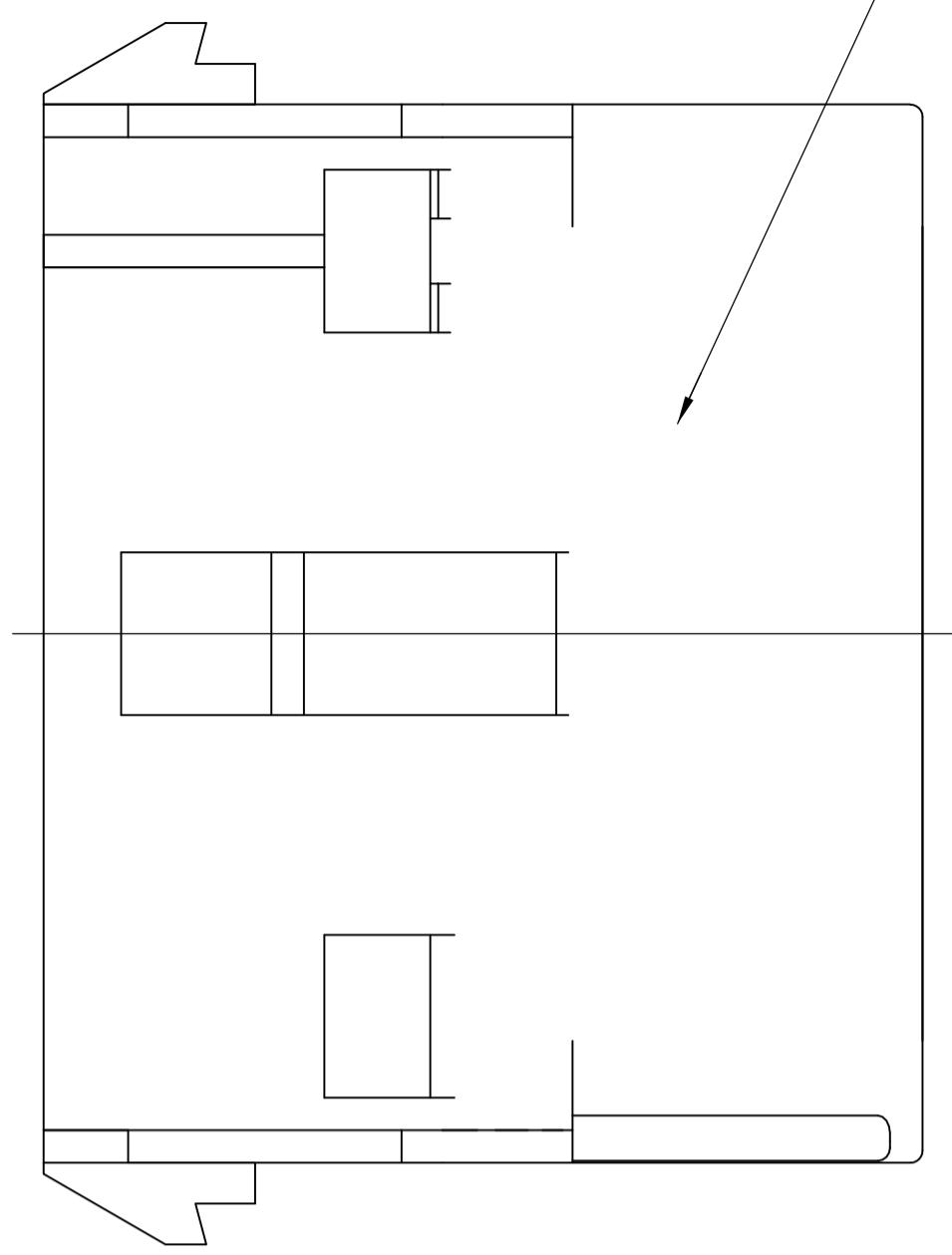


REVISIONS					
P	LTR	DESCRIPTION	DATE	OWN	APVD
A2		REVISED PER ECO-17-011927	23AUG2017	RS	KR

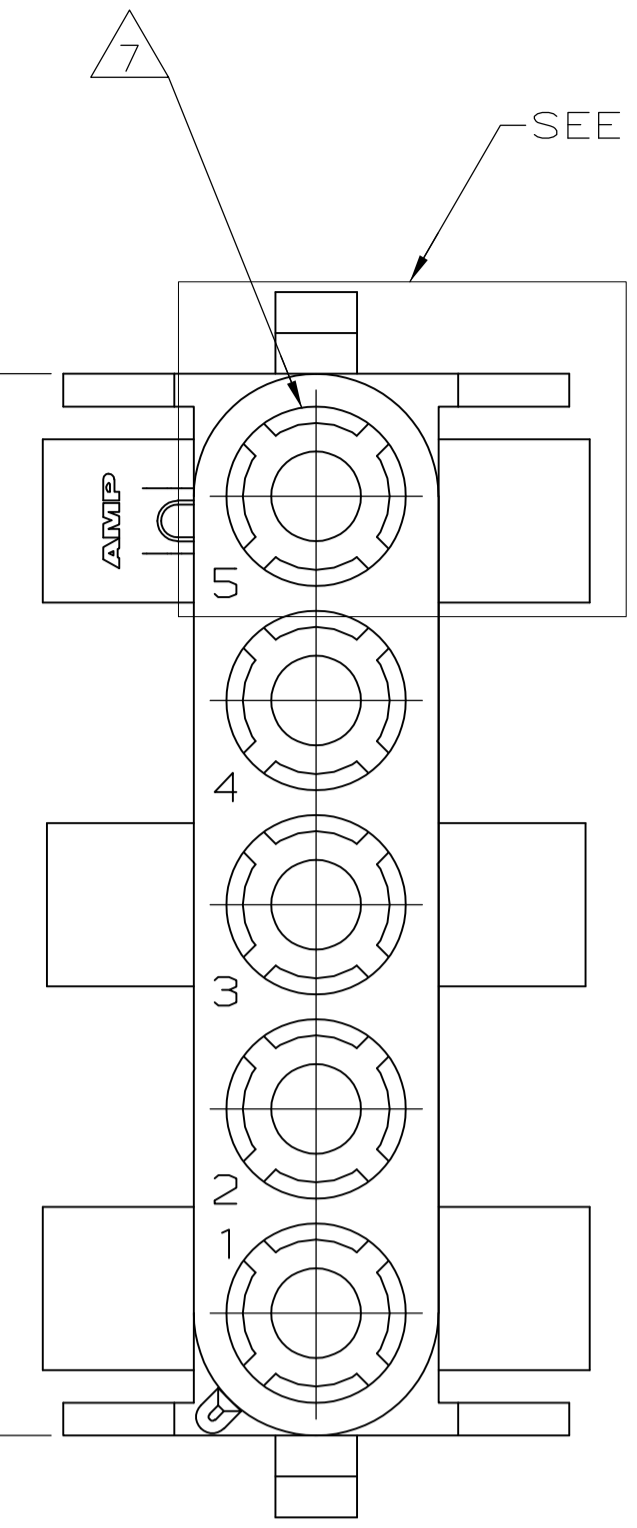


7.62 [.300]



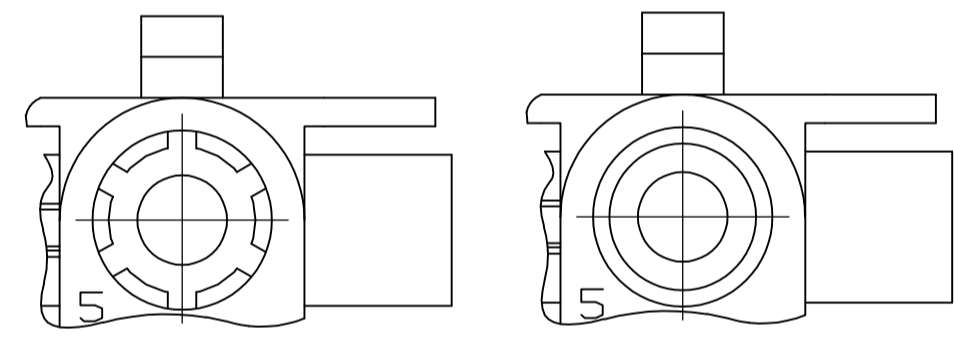
8

33.02±0.25 [1.300±.010]

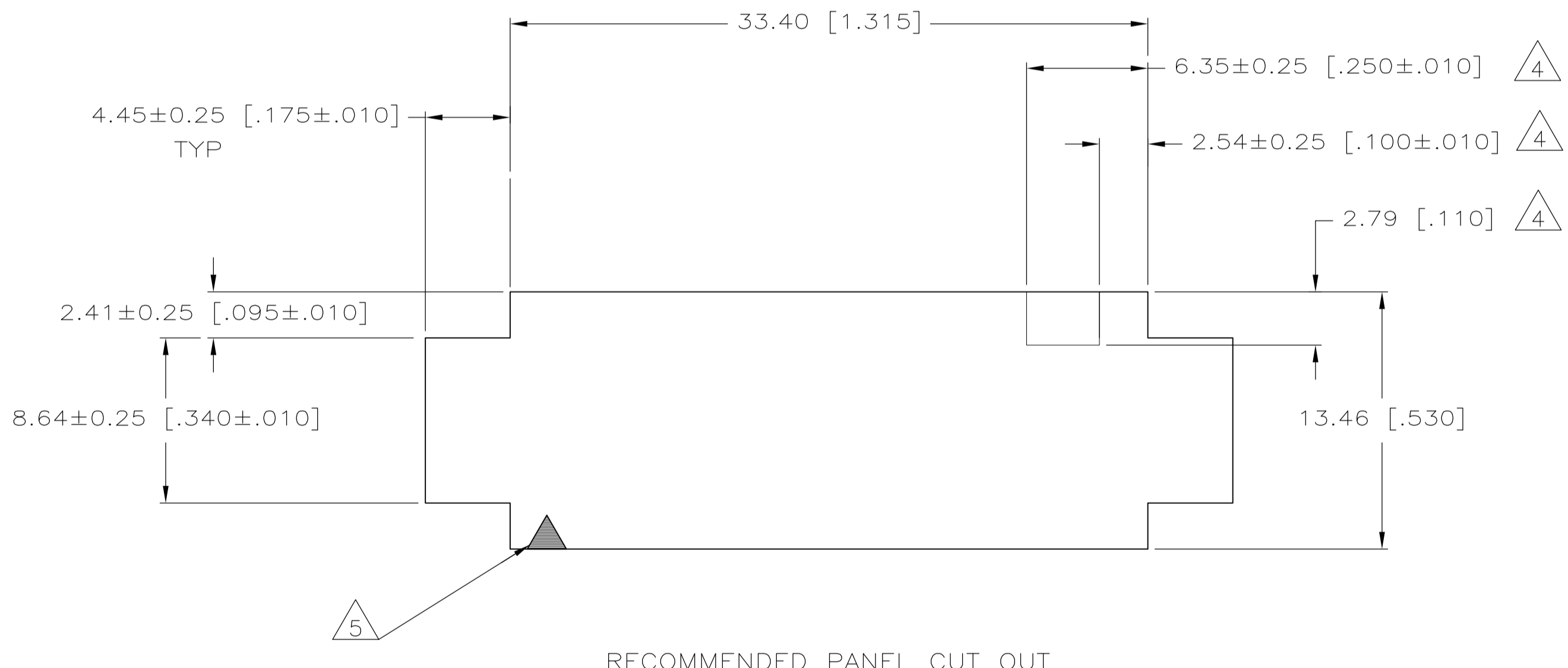
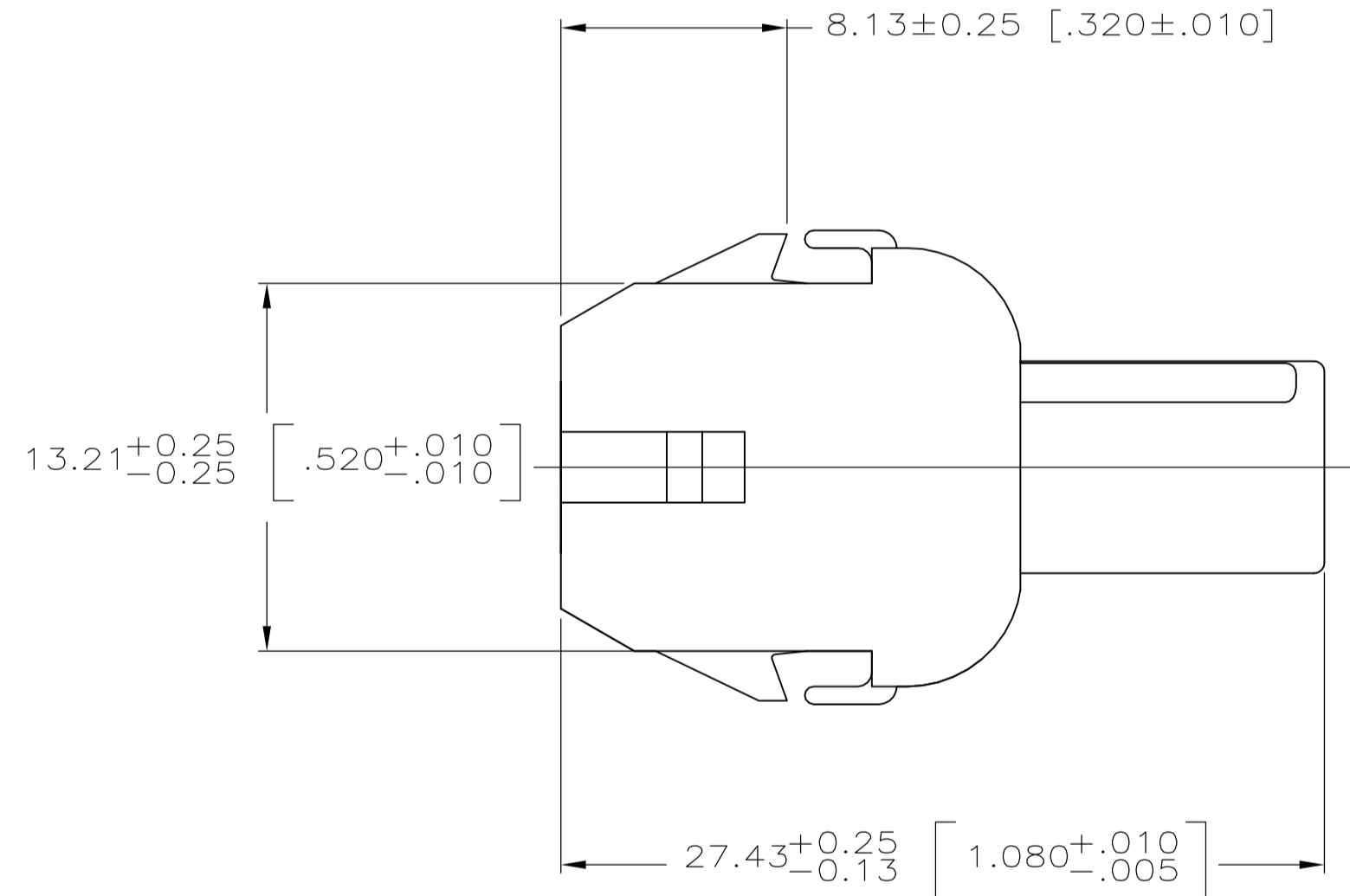


SEE DETAIL A

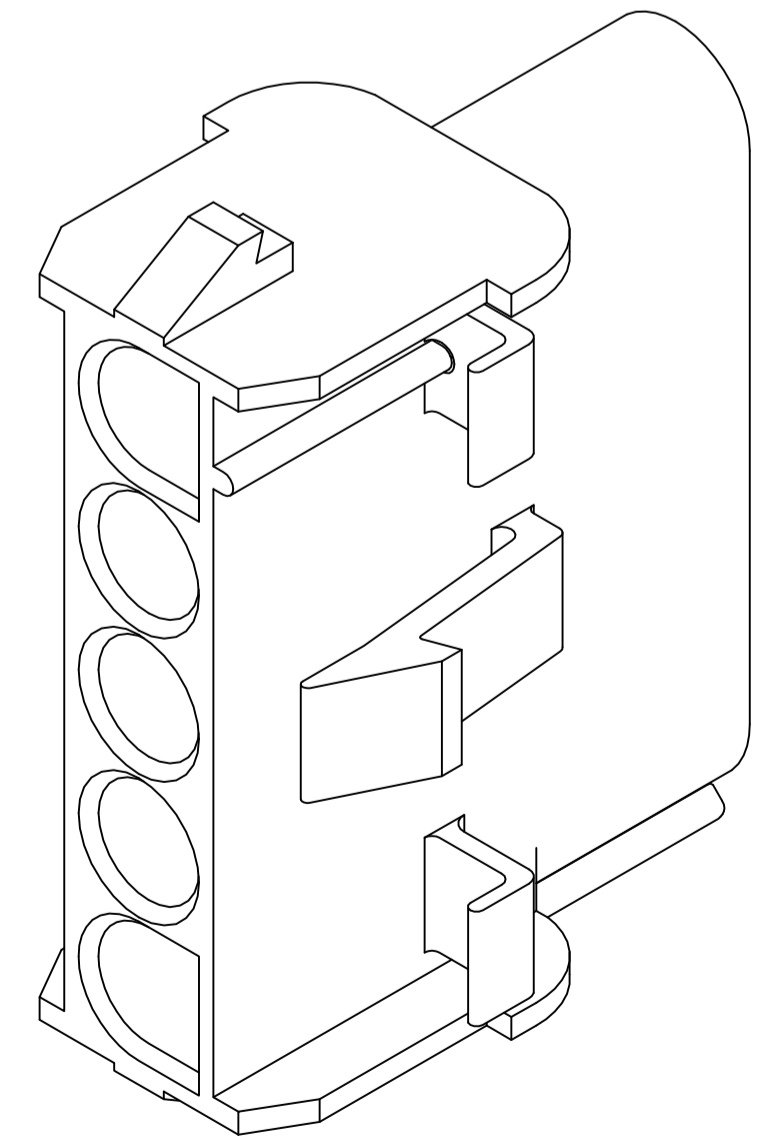
- 1 MATES WITH APPROPRIATE UNIVERSAL MATE-N-LOK™ PLUG.
- 2 RECOMMENDED PANEL THICKNESS 0.76–2.29 [.029–.090].
- 3 PANEL MUST BE PUNCHED SO THAT THE HOUSING ENTERS THE PANEL IN THE SAME DIRECTION AS THE PUNCH.
- 4 OPTIONAL FOR KEYING HOUSING IN PANEL.
- 5 CIRCUIT NUMBER 1 LOCATION.
- 6 DIMENSIONS SHOWN REPRESENT PRODUCT IN DRY, AS MOLDED CONDITION ADDITIONAL 2% GROWTH DUE TO SUBSEQUENT MOISTURE ABSORPTION MAY OCCUR AND SHOULD BE ACCOUNTED FOR.
- 7 FOUR RIBS EQUALLY SPACED, NO SPECIFIC ORIENTATION. NO RIBS OR SIX RIBS EQUALLY SPACED, NO SPECIFIC ORIENTATION, OPTIONAL.
- 8 UNDERWRITERS RECOGNIZED COMPONENT LOGO AND CSA CERTIFICATION LOGO TO BE LOCATED ONCE EACH ON SIDE OF HOUSING.
- 9 MATERIAL: BLACK NYLON, UL 94V-2 HIGH TEMP.
- 10 PHOSPHOR BRONZE CONTACTS SHOULD ALWAYS BE USED WITH THIS HOUSING.



DETAIL E
OPTIONAL CONSTRUCTION



RECOMMENDED PANEL CUT OUT



3-DIMENSIONAL MODEL
NTS

BLACK COLOR	794863-1 PART NUMBER
-------------	----------------------

THIS DRAWING IS A CONTROLLED DOCUMENT.		DIN S. HOOVER 26-FEB-2004	TE Connectivity	
DIMENSIONS: mm [INCHES]		CHK S. RIDGILL 26-FEB-2004	NAME CAP, 5 CIRCUIT, UNIVERSAL MATE-N-LOK™	
TOLERANCES UNLESS OTHERWISE SPECIFIED:		APVD S. RIDGILL 26-FEB-2004	RESTRICTED TO	
0 PLC ±	1 PLC ±	PRODUCT SPEC	SIZE CAGE CODE DRAWING NO	
2 PLC ± 0.13 [.005]	3 PLC ±	APPLICATION SPEC	WEIGHT 0.000000 A1 00779 C=794863	
4 PLC ±	ANGLES ± 1° 0'	FINISH	CUSTOMER DRAWING SCALE 4:1 SHEET 1 OF 1 REV A2	