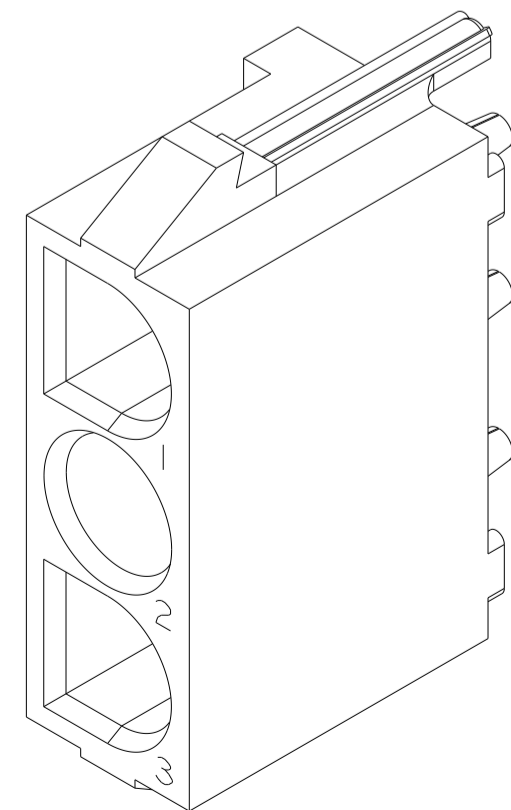
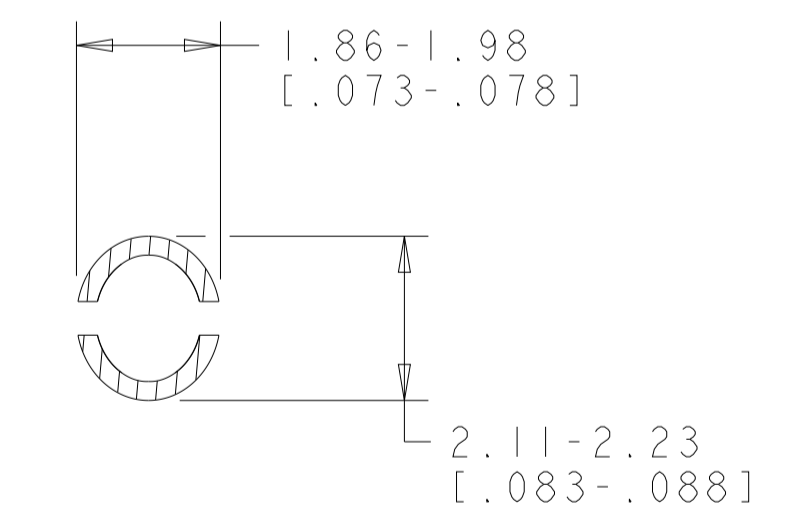
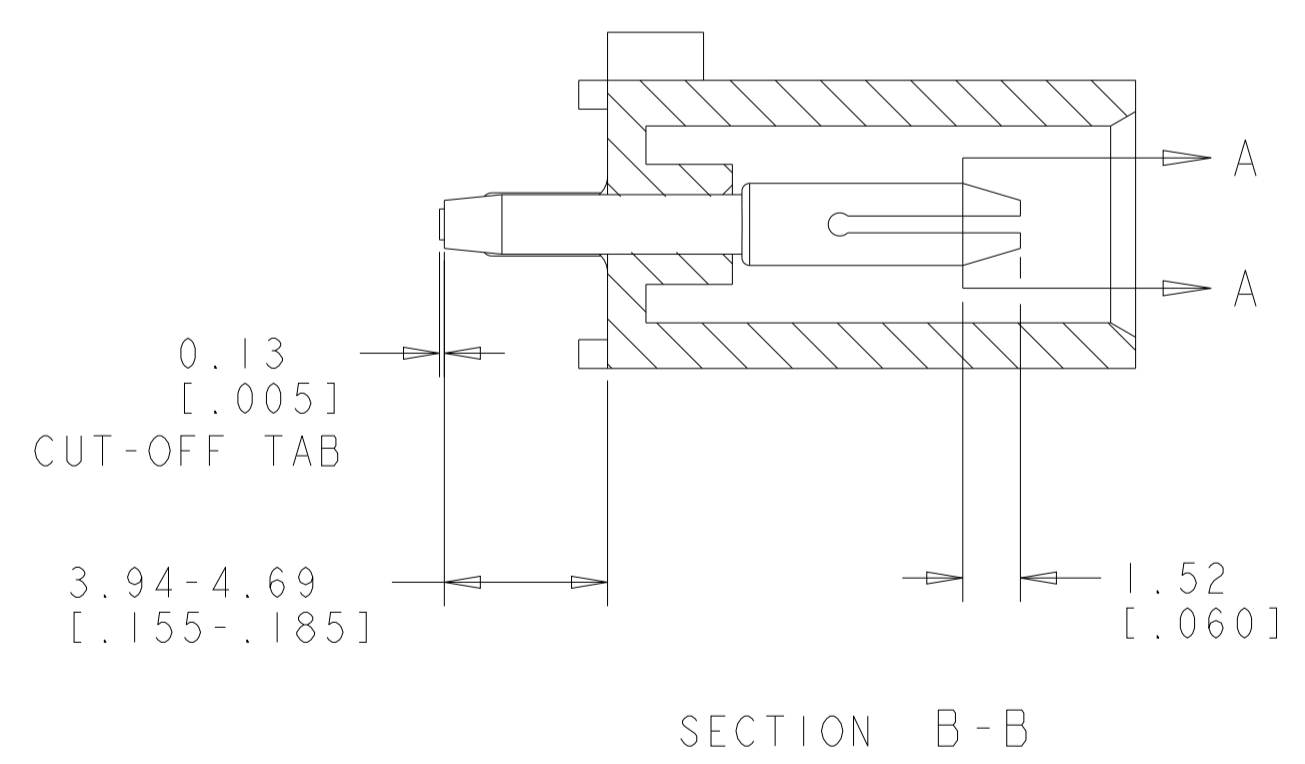
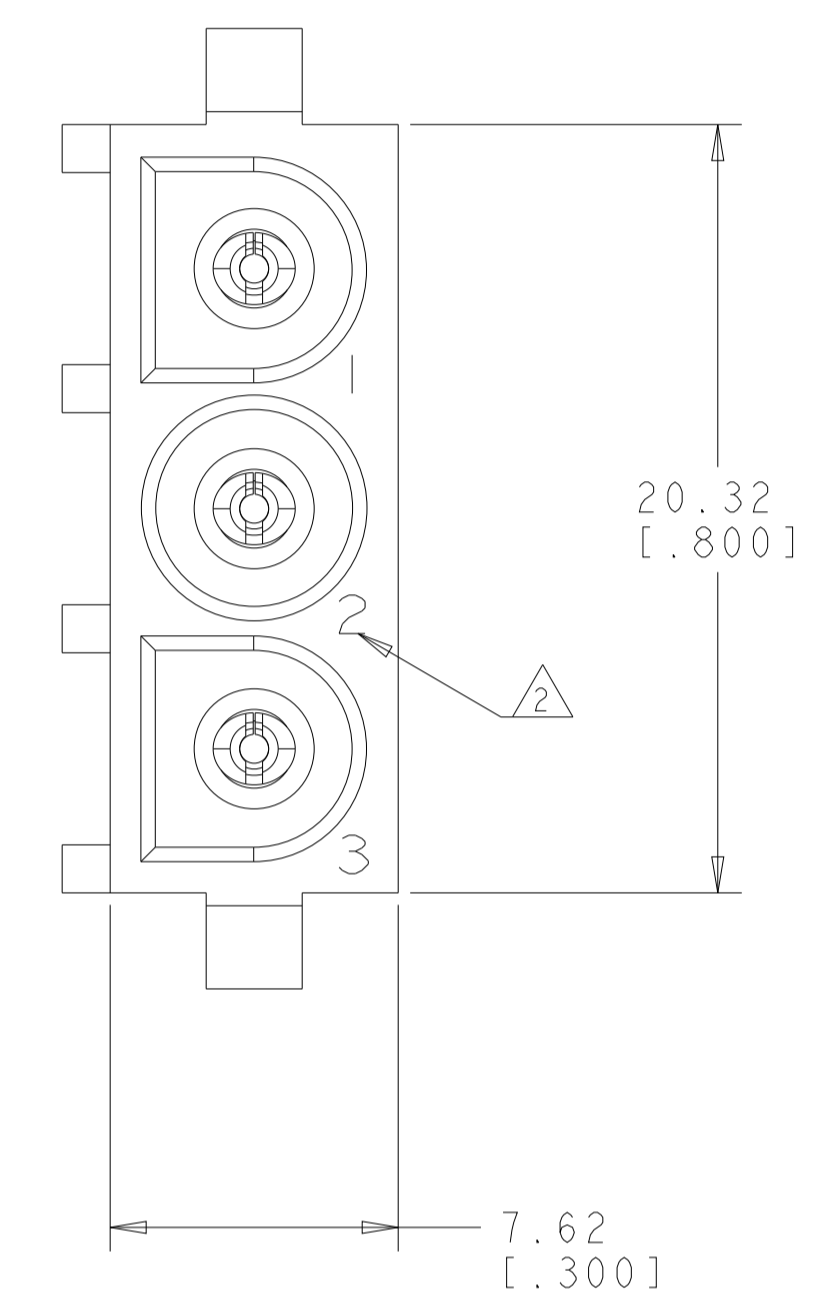
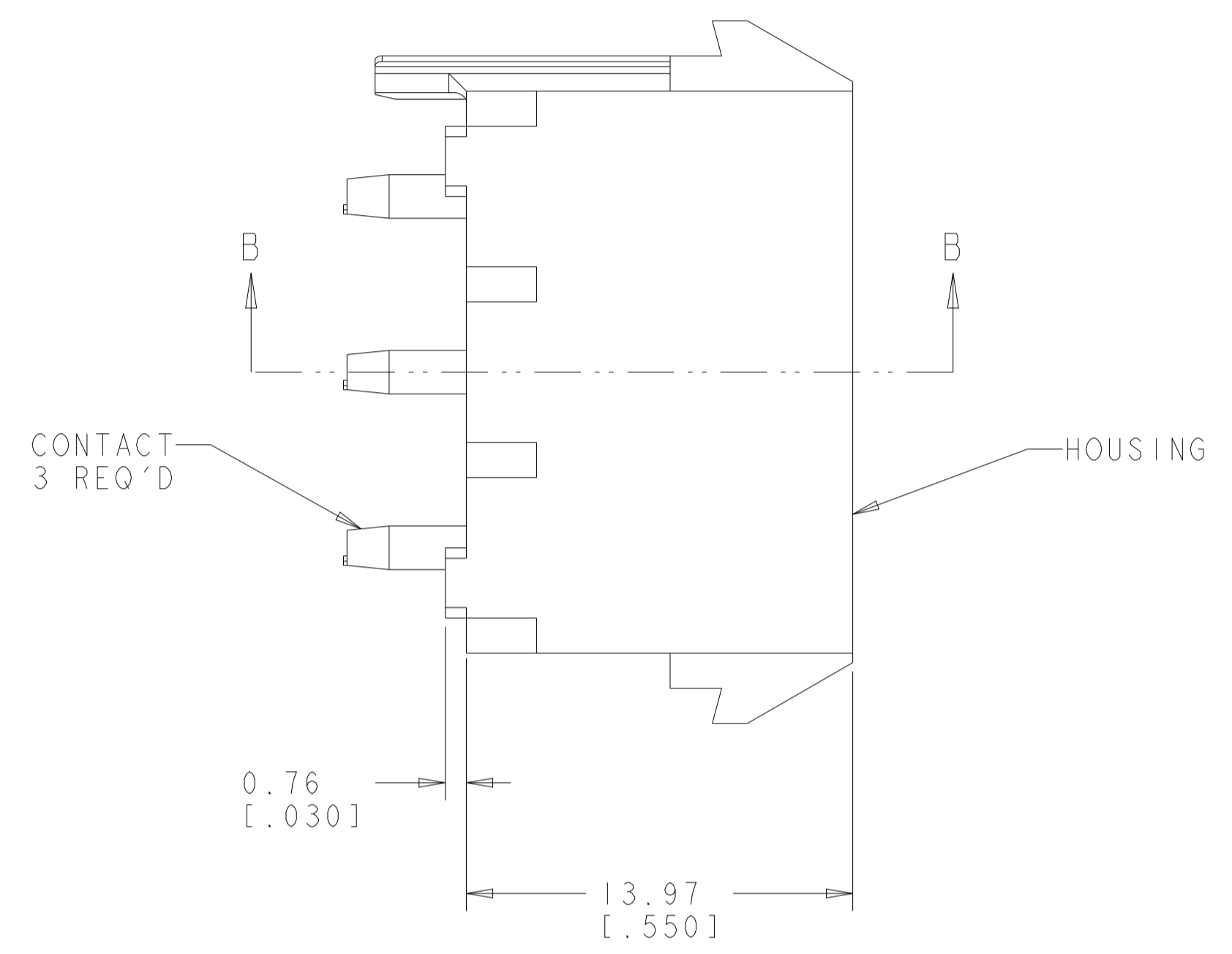
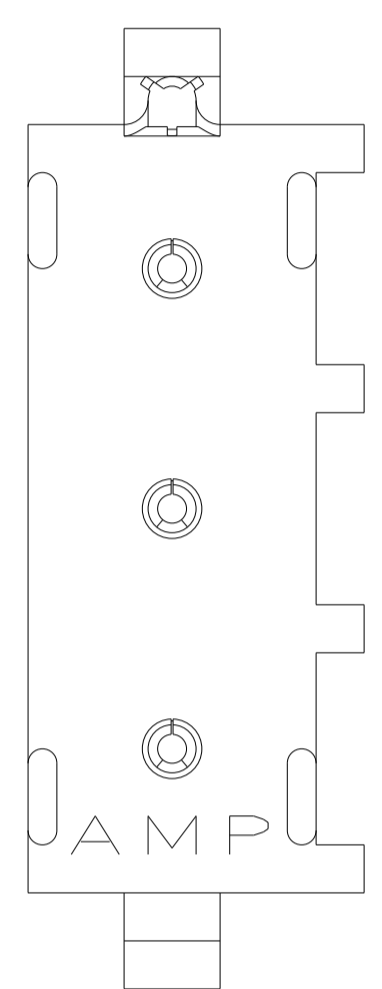
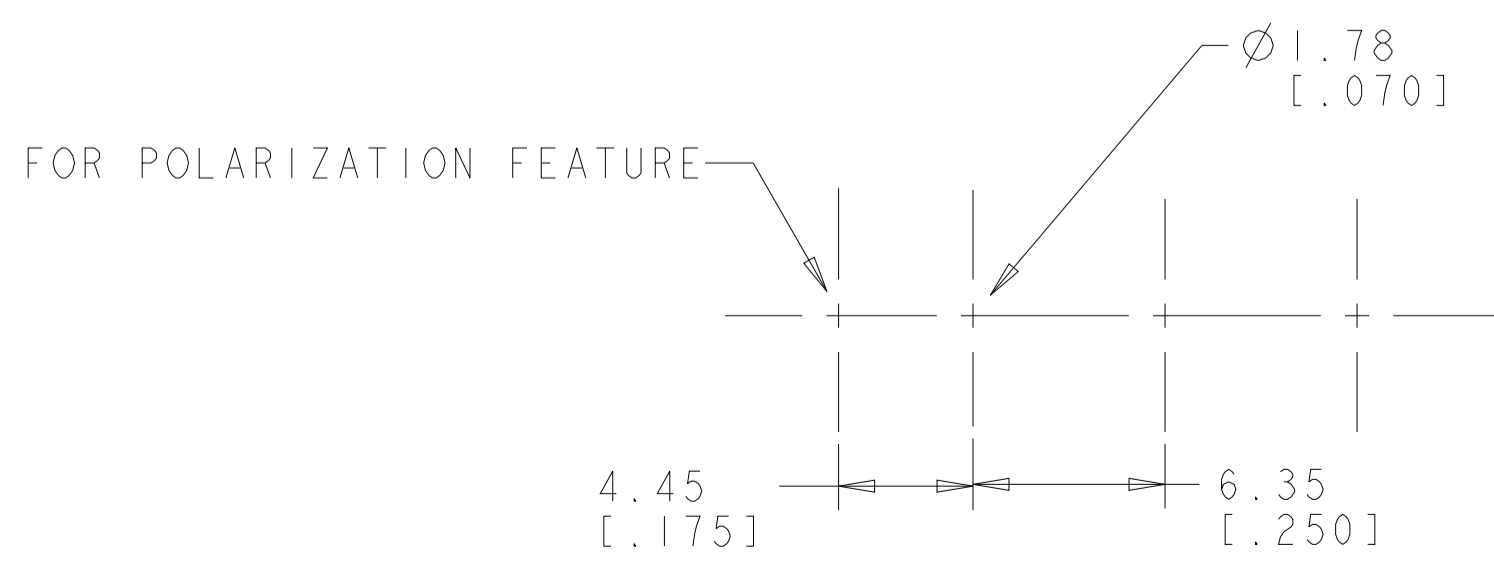


REVISIONS				
P	LTN	DESCRIPTION	DATE	APVD
0		REVISED PER DG3B-0007-03	29JAN03	KW SR
A		REVISED PER ECR-21-117154	02AUG2022	SM VS

- PARTS COMPLY TO AMP SOLDERABILITY SPECIFICATION 109-11-3.
- CIRCUIT IDENTIFICATION CHARACTERS ARE ADJACENT TO THE INDICATED CAVITIES, BUT LOCATION AND ORIENTATION MAY DIFFER FROM PRINT.
- DIMENSIONS IN BRACKETS ARE IN INCHES.
- DIMENSIONS SHOWN REPRESENT PRODUCT IN DRY CONDITION. ADDITIONAL 2% GROWTH DUE TO END USE LOCATION MOISTURE ABSORPTION MAY OCCUR AND SHOULD BE ACCOUNTED FOR.

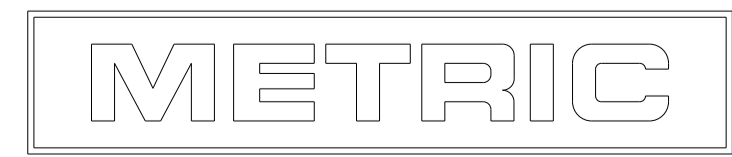


3 DIMENSIONAL MODEL
SCALE 4:1



RECOMMENDED MOUNTING HOLE PATTERN
FOR 1.57 [.062] THICK P.C. BOARD

PHOSPOR BRONZE, PRE-TIN PIN CONTACT MATERIAL AND FINISH	NYLON, UL94V-0, WHITE HOUSING MATERIAL AND COLOR	794878-1 PART NUMBER
--	---	-------------------------



THIS DRAWING IS A CONTROLLED DOCUMENT.		DWN: K. WHITAKER 28NOV2000 CHK: S. RIDGILL 28NOV2000 APVD: S. RIDGILL 28NOV2000	NAME: PIN HEADER ASSEMBLY, POLARIZED, 3 CIRCUIT, UNIVERSAL MATE-N-LOK SIZE: A 00779 C=794878 WEIGHT: - CUSTOMER DRAWING
DIMENSIONS: mm [INCHES] 0 PLC ± 1 PLC ± 2 PLC ±0.131(.005) 3 PLC ± 4 PLC ± ANGLES ±30° FINISH: -	TOLERANCES UNLESS OTHERWISE SPECIFIED: 0 PLC ± 1 PLC ± 2 PLC ±0.131(.005) 3 PLC ± 4 PLC ± ANGLES ±30° FINISH: -	APPLICATION SPEC: - RESTRICTED TO: - SCALE: 4:1 SHEET: 1 OF 1 REV: A	