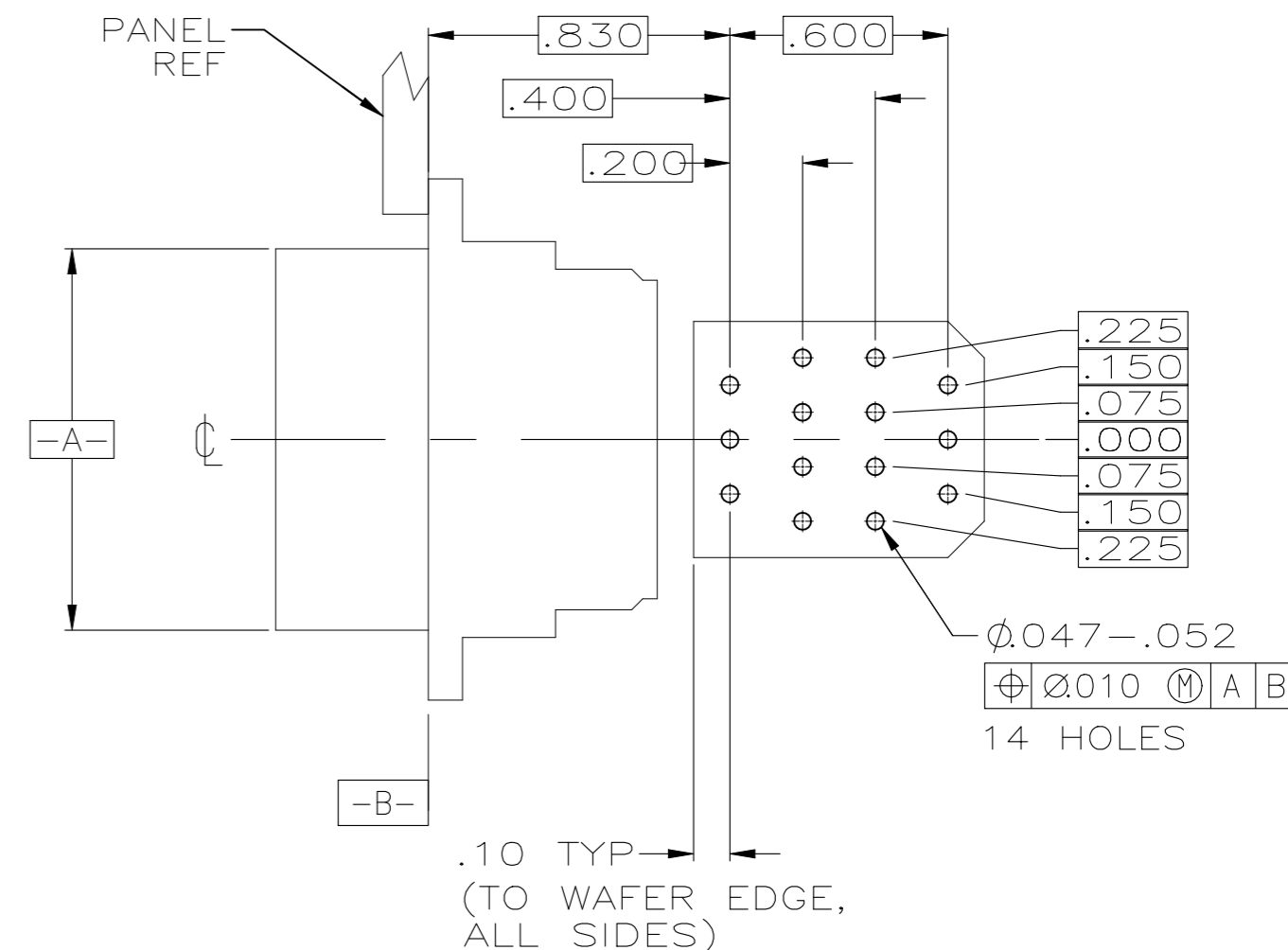
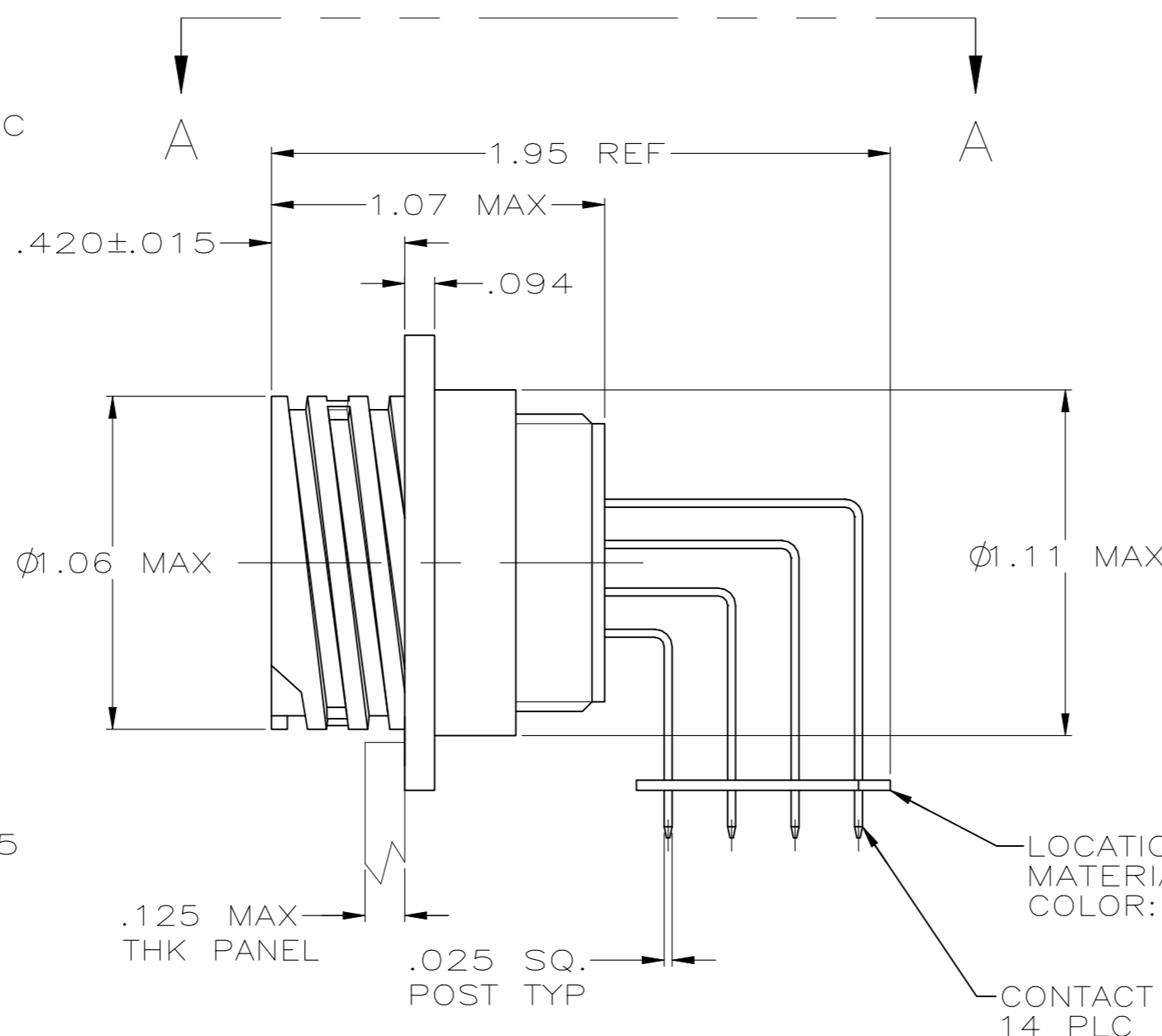
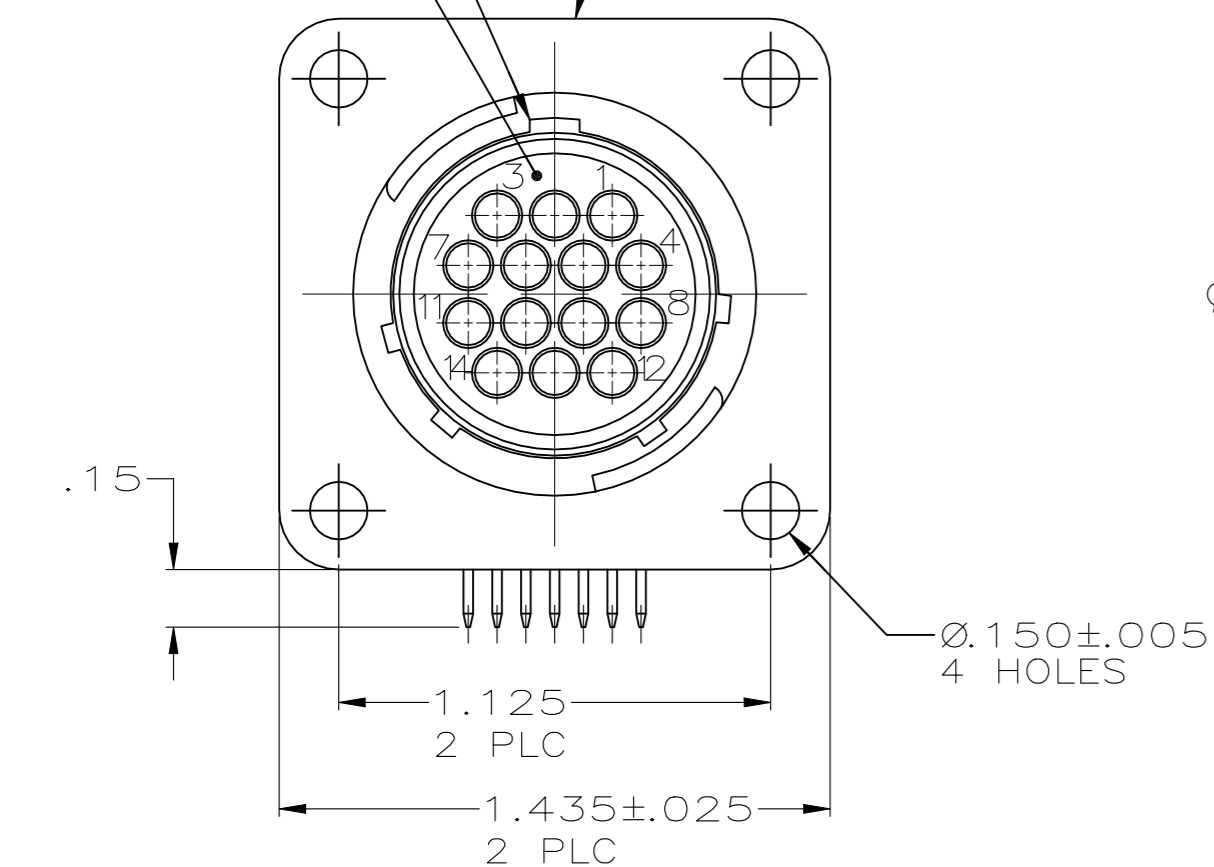
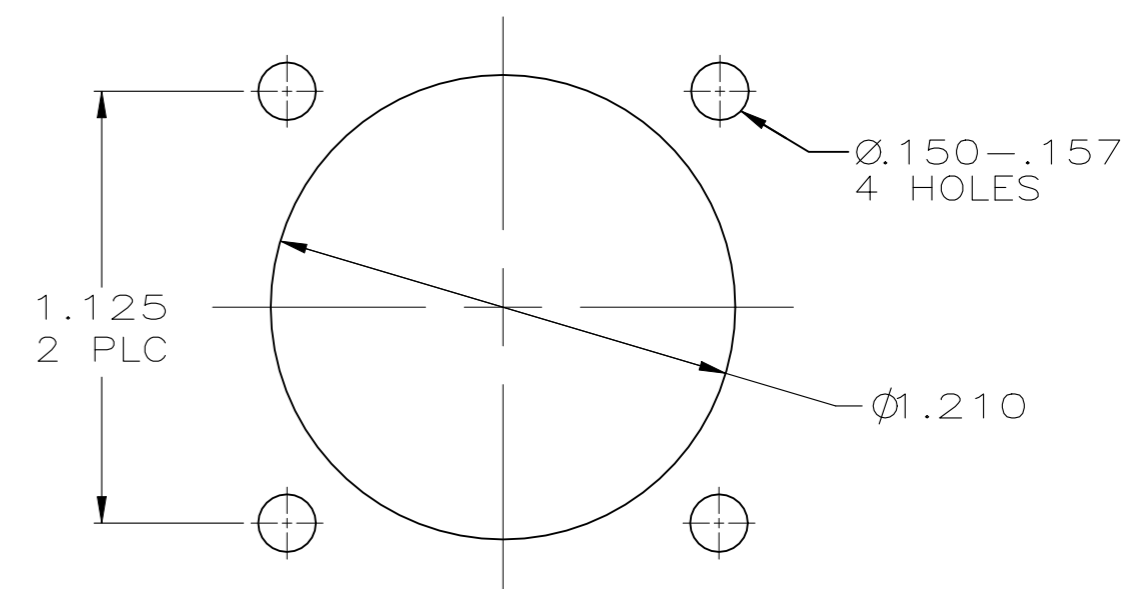


REVISIONS					
P	LTR	DESCRIPTION	DATE	DWN	APVD
D3		REVISED PER ECN-24-252200	16FEB2024	RK	JMV

MAJOR KEY  
MATING FACE  
RECEPTACLE  
MATL: THERMOPLASTIC  
COLOR: BLACK



VIEW A-A  
RECOMMENDED PC BOARD LAYOUT



RECOMMENDED  
PANEL CUTOUT

- CONTACT CAVITIES IDENTIFIED BY CHARACTERS ON FRONT AND REAR FACES OF CONNECTOR.
- #6 FASTENER RECOMMENDED FOR MOUNTING.
- CONTACT BODY: .000100 MIN TIN-LEAD OVER .000050 MIN NICKEL.  
CONTACT POST: .000100 MIN TIN-LEAD OVER .000100 MIN COPPER.
- CONTACT BODY: .000030 MIN GOLD FOR A LENGTH OF .200 MIN FROM MATING END, WITH REMAINDER TO BE GOLD FLASH, BOTH OVER .000050 MIN NICKEL.  
CONTACT POST: .000100 MIN TIN-LEAD OVER .000100 MIN COPPER.
- PC BOARD HOLE PATTERN IS DEFINED RELATIVE TO CONNECTOR AND PANEL MOUNTING FACE INDICATED.
- CONTACT BODY: .000030 MIN GOLD FOR A LENGTH OF .200 MIN FROM MATING END, WITH REMAINDER TO BE GOLD FLASH, BOTH OVER .000050 NICKEL.  
CONTACT POST: .000100 MIN TIN OVER .000100 MIN COPPER.
- CONTACT BODY: .000100 MIN TIN OVER .000050 MIN NICKEL.  
CONTACT POST: .000100 MIN TIN OVER .000050 MIN NICKEL.

SUPERSEDED BY 796348-5  
SUPERSEDED BY 796348-6

7	796348-6
6	796348-5
4	796348-2
3	796348-1
CONTACT FINISH	PART NUMBER

THIS DRAWING IS A CONTROLLED DOCUMENT.		DWN	HAMNER	3-10-00		TE Connectivity			
DIMENSIONS: INCHES		CHK	M.CHACKO	3-21-00		NAME			
TOLERANCES UNLESS OTHERWISE SPECIFIED:		APVD	M.CHACKO	3-21-00	RECEPTACLE ASSY, POSTED, RT ANGLE, RVS SEX, SIZE 17-14, SERIES 1, CPC				
0 PLC ± -		PRODUCT SPEC	APPLICATION SPEC			SIZE	CAGE CODE	DRAWING NO	RESTRICTED TO
1 PLC ± -		MATERIAL		WEIGHT	A2	00779	C=796348	-	
2 PLC ± .03		FINISH		CUSTOMER DRAWING	SCALE	2/1	SHEET	1 OF 1	
3 PLC ± .010								REV	
4 PLC ± -								D3	
ANGLES ± -									