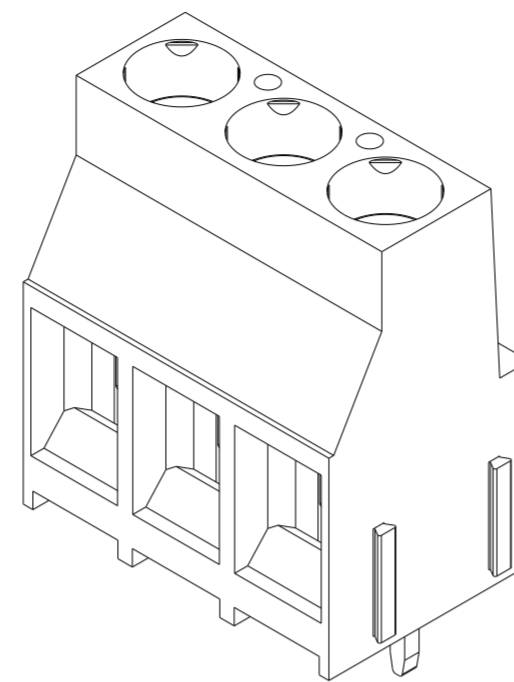
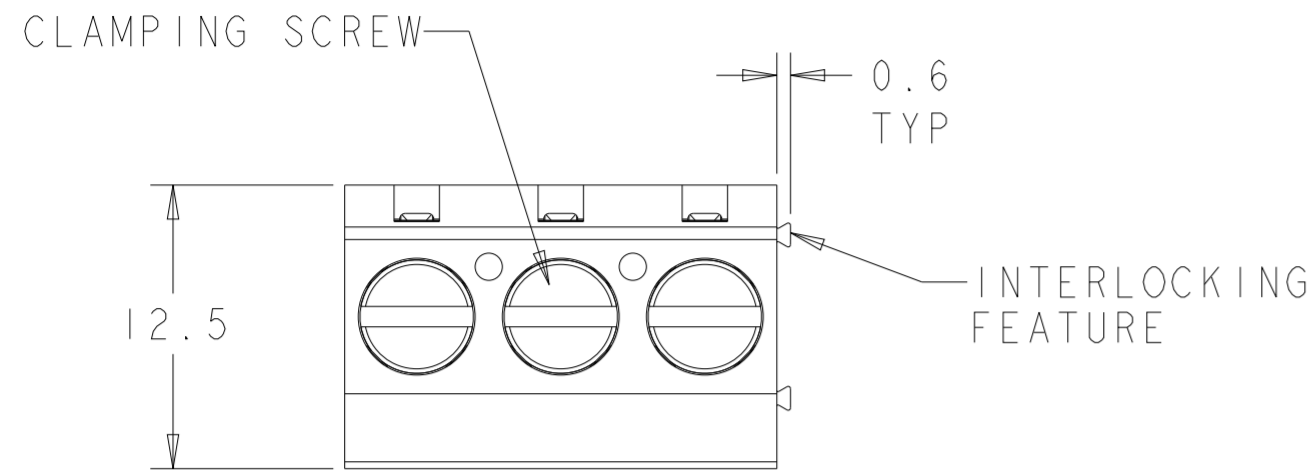


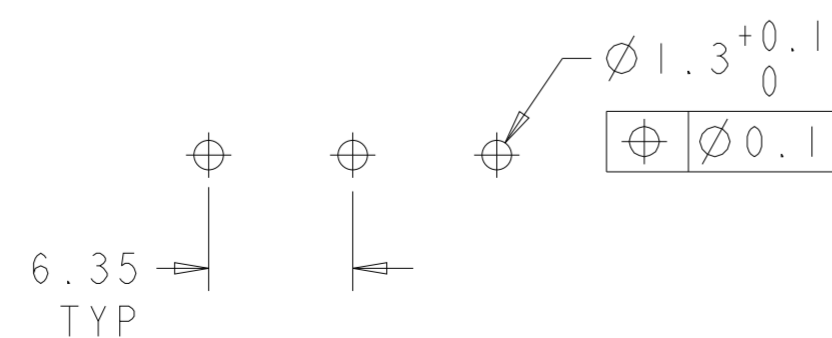
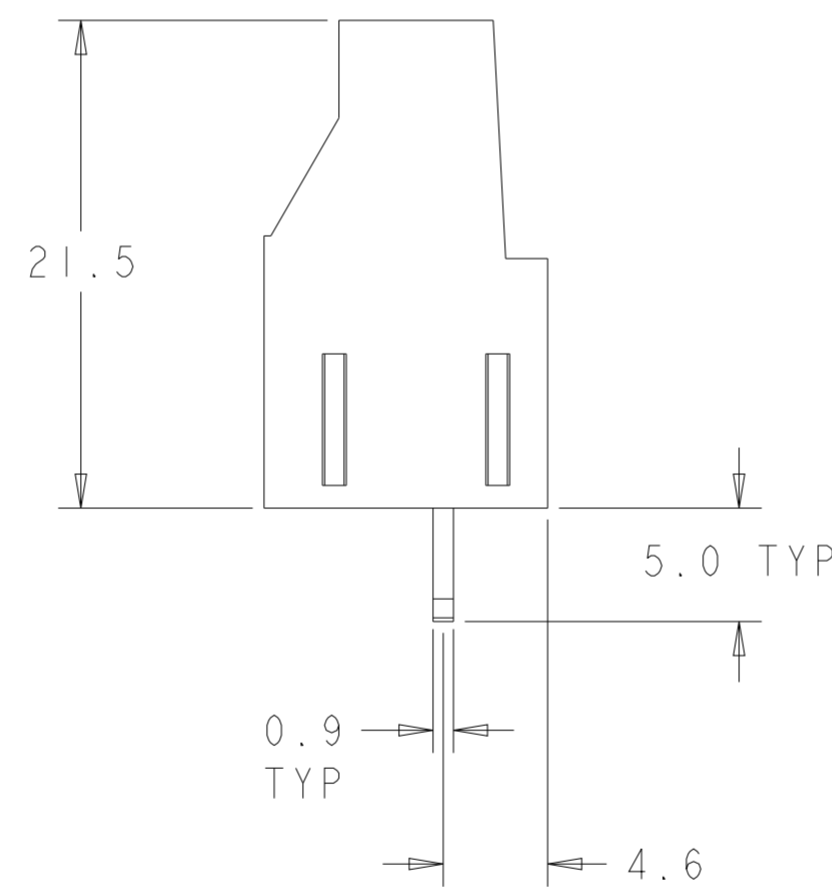
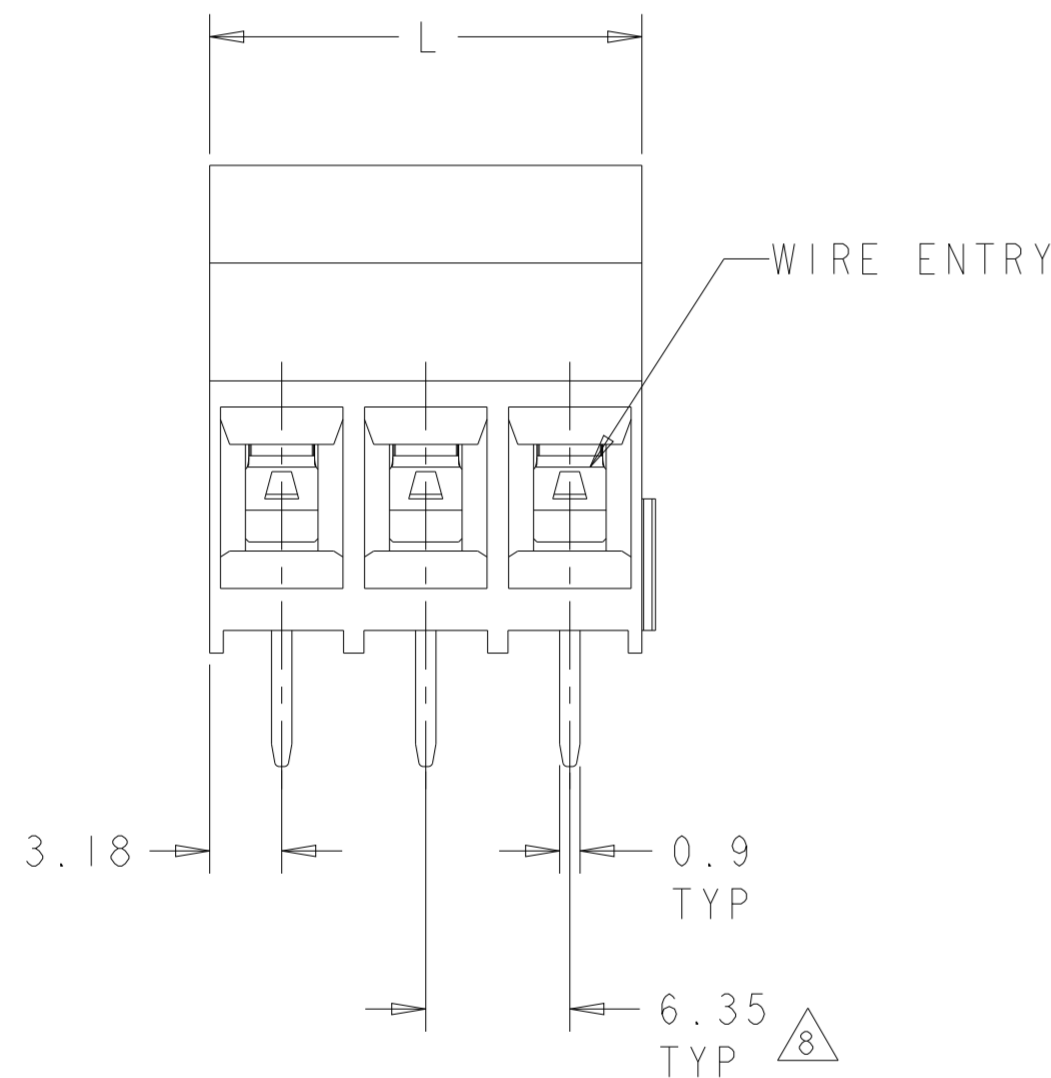
P	LTR	DESCRIPTION	DATE	DWN	APVD
D		PACKAGING CHANGED FROM BLACK POLYURETHANE SPONGE TO TRAY	13MAR2018	RK	PS
DI		PART STATUS UPDATED	19OCT2021	SCB	SS



796740-3 AS SHOWN

NOTES:

- MATERIALS AND FINISH
 HOUSING: PA 6-6, UL 94-V0, COLOR: GREEN
 CLAMP: BRASS, NICKEL PLATED.
 CLAMPING SCREW: M3.5, BRASS, NICKEL PLATED.
 TERMINAL: BRASS, TIN PLATED.
- MECHANICAL
 WIRE STRIPPING LENGTH : 7.0-8.0 mm
 MIN. PC BOARD HOLES DIAMETER : 1.3 mm
 MAX. PC BOARD THICKNESS : 4.0 mm
 RECOMMENDED TIGHTENING TORQUE FOR SCREW : 0.8 Nm.
- ELECTRICAL
 WIRE RANGE : 10-30 AWG
 MAX. VOLTAGE : 300 V
 MAX CURRENT : 30 A
 CONTACT RESISTANCE : <15 m Ohm
 INSULATION RESISTANCE : >1000 M Ohm (500V DC)
- END-TO-END STACKABLE W/INTERLOCK, WITHOUT LOSS OF CENTERLINE SPACING.
- RECOGNIZED UNDER THE COMPONENT PROGRAM OF UNDERWRITERS LABORATORY INC. FILE No. E60677.
- OPERATING TEMPERATURE RANGE: -40°C TO +110°C.
- PACKED IN TRAY.
- ⚠ NOT CUMULATIVE TOLERANCE.



RECOMMENDED PC BOARD LAYOUT

OBSOLETE	114.30	18	+796740-8
OBSOLETE	63.50	10	+796740-0
OBSOLETE	37.75	5	-796740-5-
	19.05	3	796740-3
	12.70	2	796740-2
L	NO OF POSN	PART NUMBER	

THIS DRAWING IS A CONTROLLED DOCUMENT.		DWN	26MAR2001	TE Connectivity
DIMENSIONS: mm		CHK	26MAR2001	
TOLERANCES UNLESS OTHERWISE SPECIFIED:		APVD	26MAR2001	
0 PLC ±0.15 1 PLC ±0.2 2 PLC ±0.2 3 PLC ± 4 PLC ± ANGLES ±2 FINISH		NAME	D. BIEVENOUR	
MATERIAL	SEE NOTES	PRODUCT SPEC		TERMINAL BLOCK, PCB MOUNT SIDE WIRE ENTRY, STACKING WITH INTERLOCK, 6.35mm PITCH
		APPLICATION SPEC		SIZE
		WEIGHT	-	CAGE CODE
		CUSTOMER DRAWING		DRAWING NO
		SCALE	3:1	RESTRICTED TO
		SHEET	1	REV
		OF	1	DI