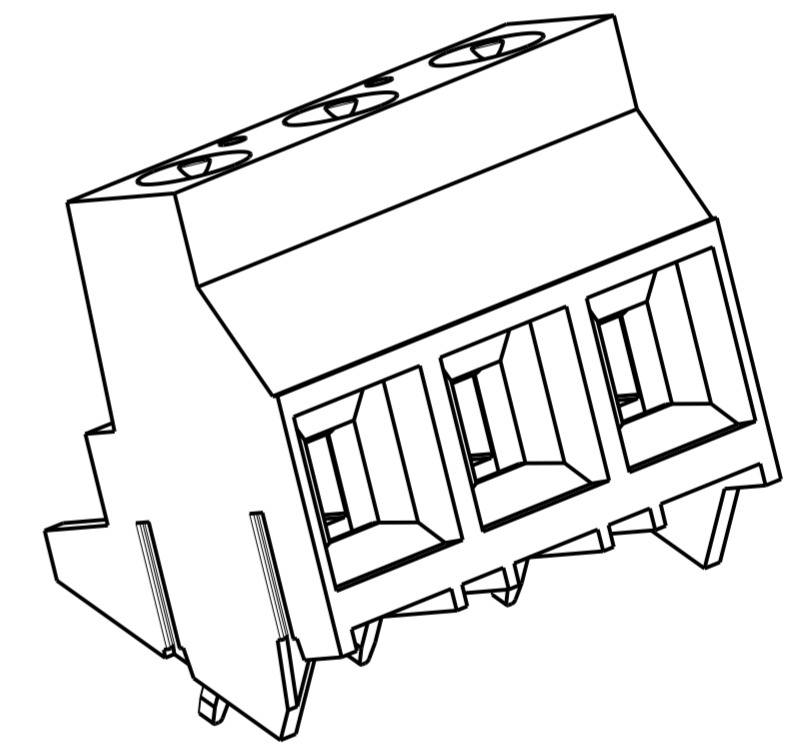
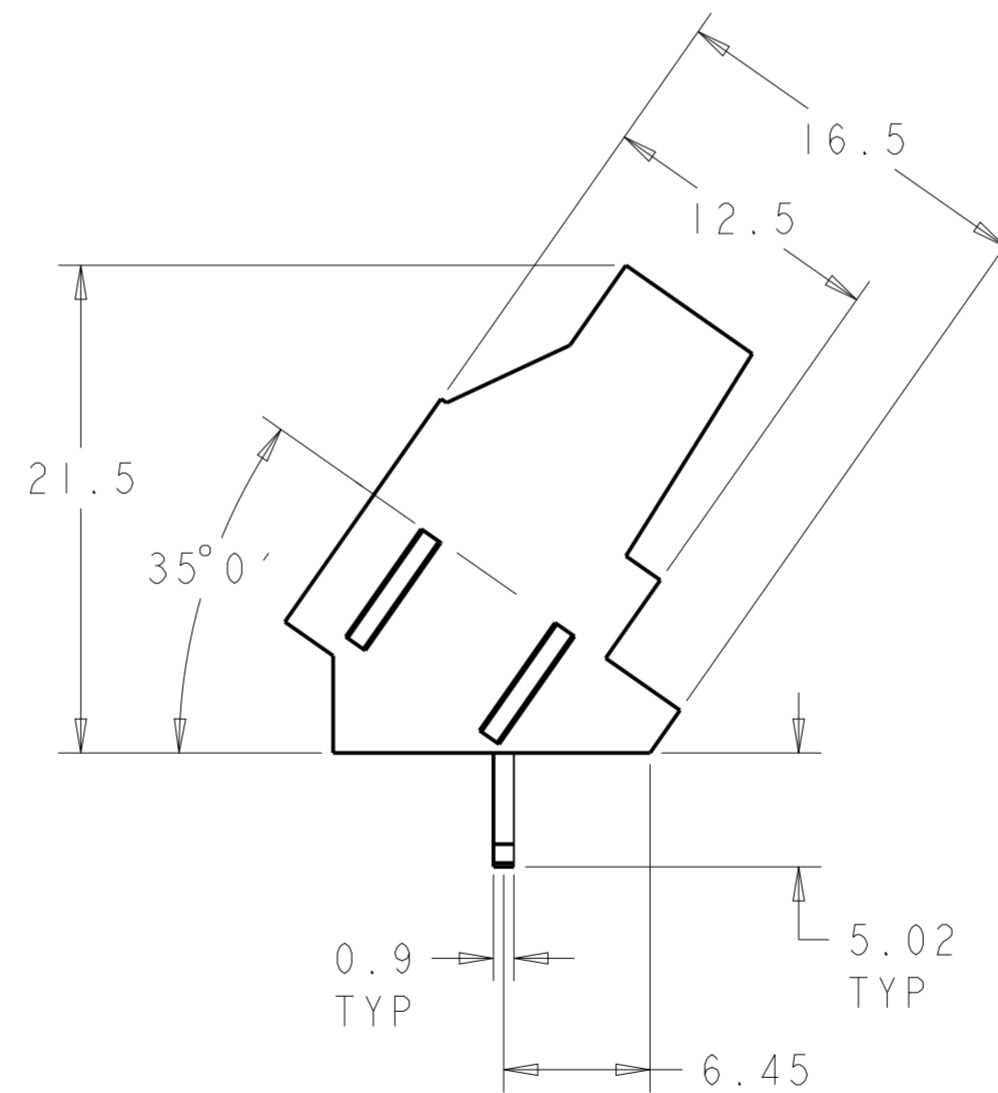
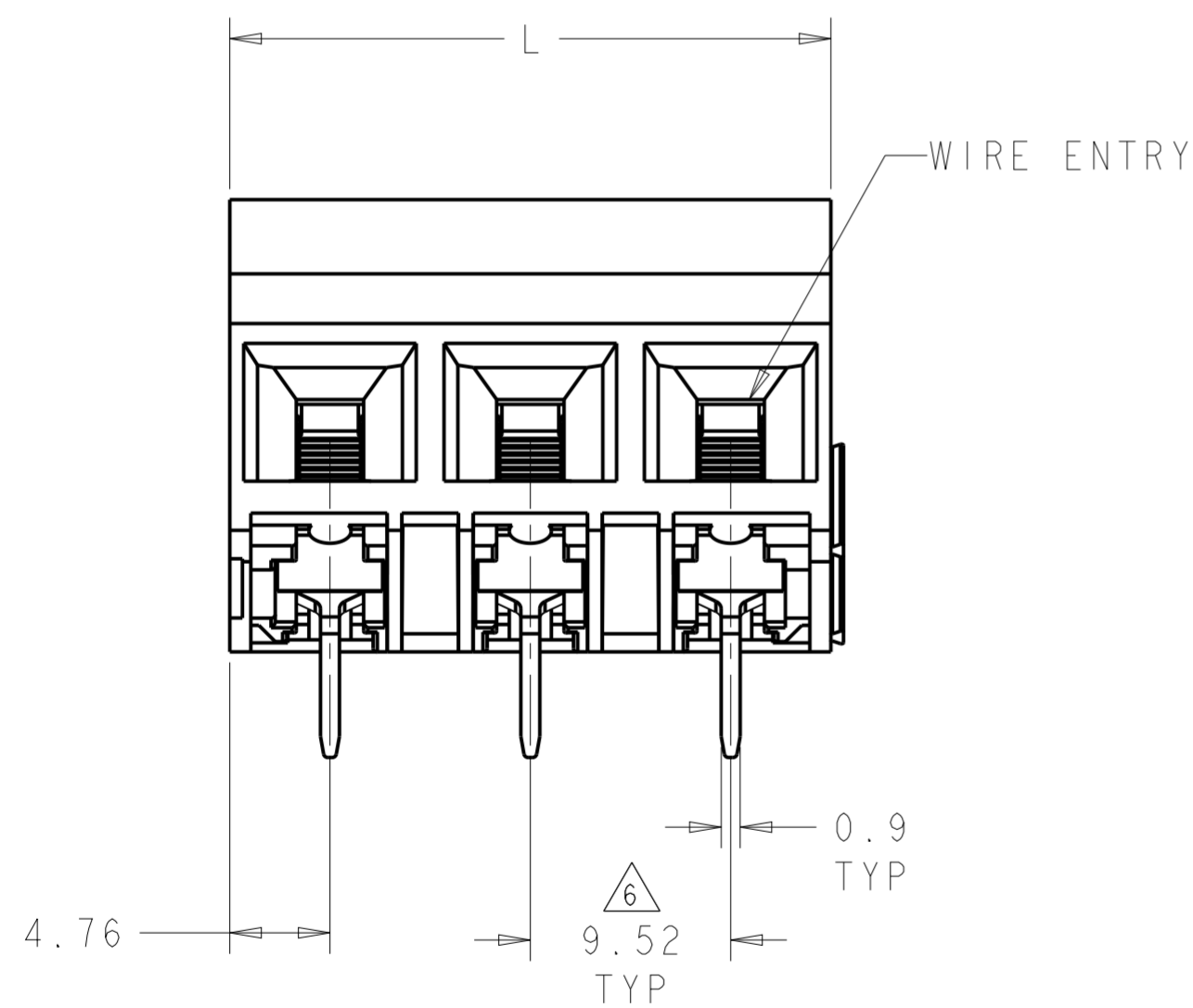
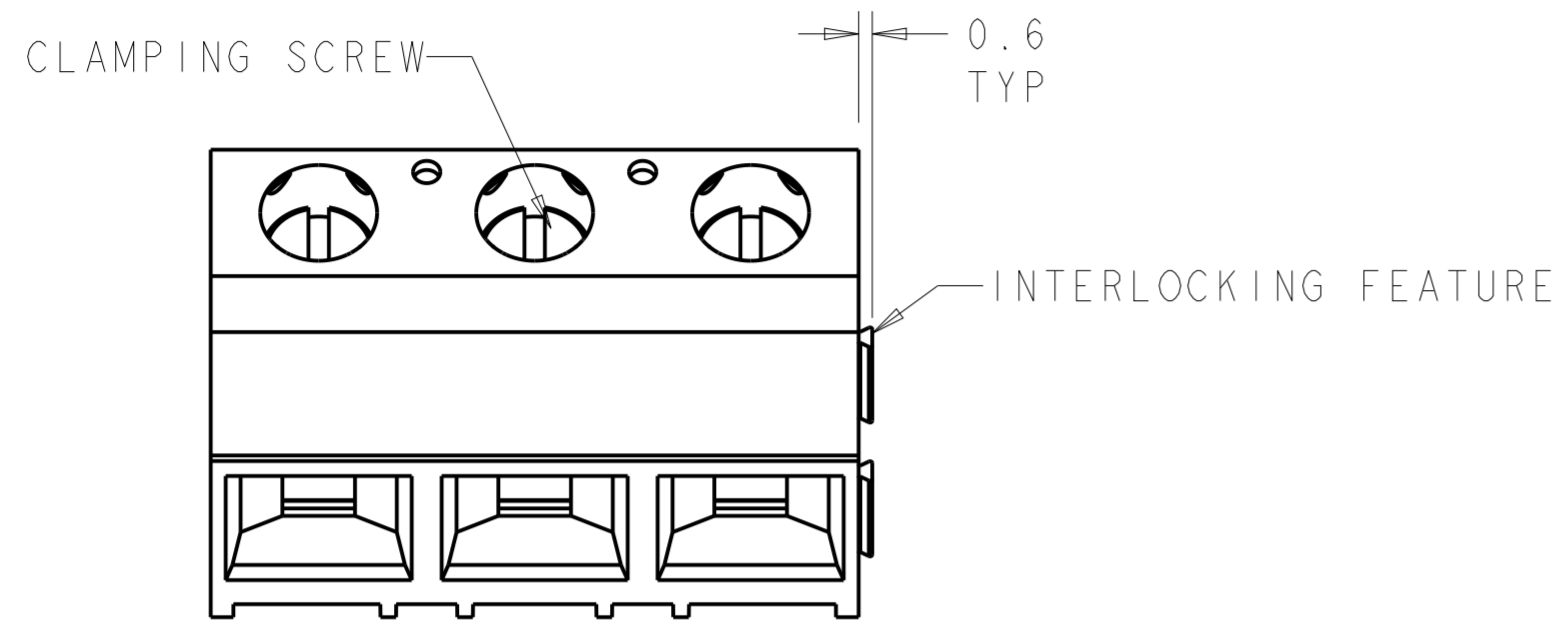
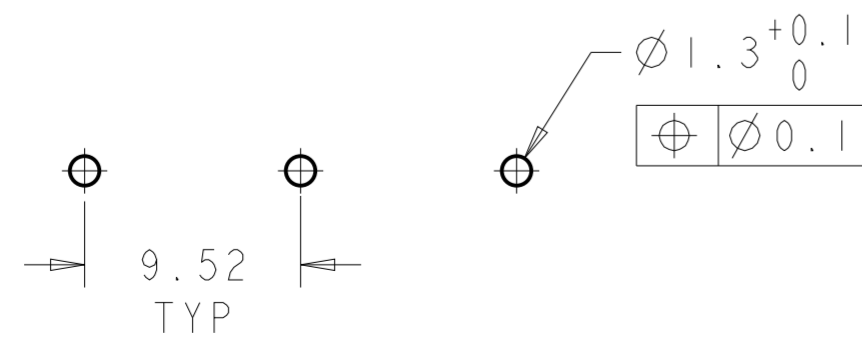


P	LTR	DESCRIPTION	DATE	DWN	APVD
C		PACKAGING CHANGED FROM BLACK POLYURETHANE SPOUNGE TO TRAYS	06MAY20		
CI		796741-6 AND 796741-8 OBSOLETE	16FEB2021	DV	PS



796741-3 AS SHOWN

OBSOLETE	76.16	8	<del>796741-8</del>
OBSOLETE	57.12	6	<del>796741-6</del>
	28.56	3	796741-3
	19.04	2	796741-2
	L	No. POS.	PART NUMBER



RECOMMENDED PC BOARD LAYOUT

DIMENSIONS:		TOLERANCES UNLESS OTHERWISE SPECIFIED:		APVD		NAME	
mm		0 PLC ±0.15		DWN E. ZANOLINI	06MAR2001	TE Connectivity	
		1 PLC ±0.2		CHK E. ZANOLINI	06MAR2001	TERMINAL BLOCK, PCB MOUNT	
		2 PLC ±0.2		APVD D. BIEVENOUR	06MAR2001	35 deg. WIRE ENTRY, HIGH CURRENT	
		3 PLC ±		PRODUCT SPEC		W/INTERLOCK, 9.52mm PITCH	
		4 PLC ±		APPLICATION SPEC		SIZE	CAGE CODE
		ANGLES ±		WEIGHT		A2	00779
		FINISH ±		CUSTOMER DRAWING		DRAWING NO	G-796741
SEE NOTES	SEE NOTES			SCALE	3:1	SHEET	1 OF 2

REVISIONS

P	LTR	DESCRIPTION	DATE	DWN	APVD
-		SEE SHEET 1	-	-	-

NOTES:

1. MATERIALS AND FINISH

HOUSING: PA 6-6, UL 94-VO, COLOR: GREEN  
 CLAMP: BRASS, NICKEL PLATED.  
 CLAMPING SCREW: M3.5, BRASS, NICKEL PLATED.  
 TERMINAL: BRASS, TIN PLATED.

2. MECHANICAL

WIRE STRIPPING LENGTH : 7.0-8.0 mm  
 MIN. PC BOARD HOLES DIAMETER : 1.3 mm  
 MAX. PC BOARD THICKNESS : 4 mm  
 RECOMMENDED TIGHTENING TORQUE FOR SCREW : 0.8 Nm.

3. ELECTRICAL


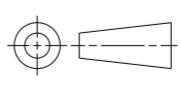
WIRE RANGE : 10-30 AWG  
 MAX. VOLTAGE : 600 V  
 MAX CURRENT : 30 A  
 CONTACT RESISTANCE : <15 m Ohm  
 INSULATION RESISTANCE : >1000 M Ohm (500V DC)

4. END-TO-END STACKABLE W/INTERLOCK, WITHOUT LOSS OF CENTERLINE SPACING.

5. RECOGNIZED UNDER THE COMPONENT PROGRAM OF UNDERWRITERS LABORATORY INC. FILE No. E60677.

△ NOT CUMULATIVE TOLERANCE.

7. PACKED IN TRAY.

THIS DRAWING IS A CONTROLLED DOCUMENT.		DWN E. ZANOLINI 06MAR2001	 TE Connectivity		
DIMENSIONS: mm		CHK E. ZANOLINI 06MAR2001			NAME TERMINAL BLOCK, PCB MOUNT 35 deg. WIRE ENTRY, HIGH CURRENT W/INTERLOCK, 9.52mm PITCH
		APVD D. BIEVENOUR 06MAR2001			
TOLERANCES UNLESS OTHERWISE SPECIFIED: 0 PLC ±0.15 1 PLC ±0.2 2 PLC ±0.2 3 PLC ± 4 PLC ± ANGLES ± FINISH		PRODUCT SPEC -			RESTRICTED TO
MATERIAL		APPLICATION SPEC -	SIZE A2	CAGE CODE 00779	
SEE NOTES		WEIGHT -	DRAWING NO C-796741	SCALE 3:1	
SEE NOTES		CUSTOMER DRAWING	SHEET 2	OF 2	
			REV C1		