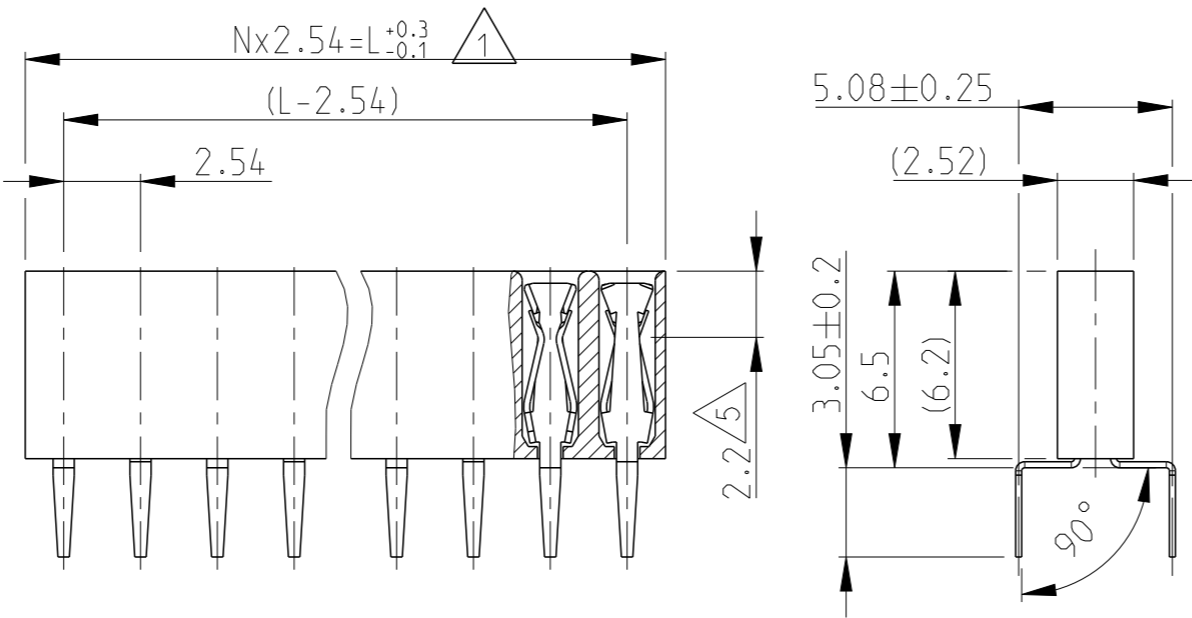


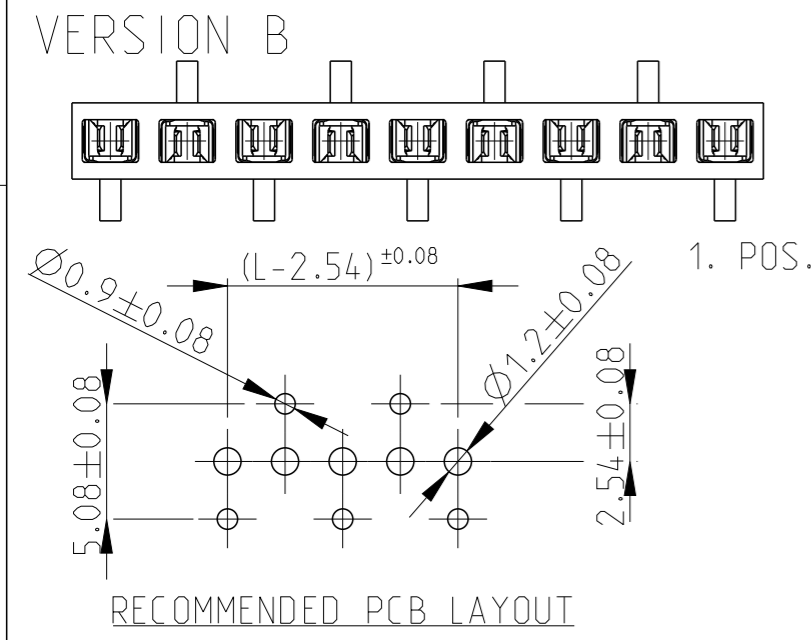
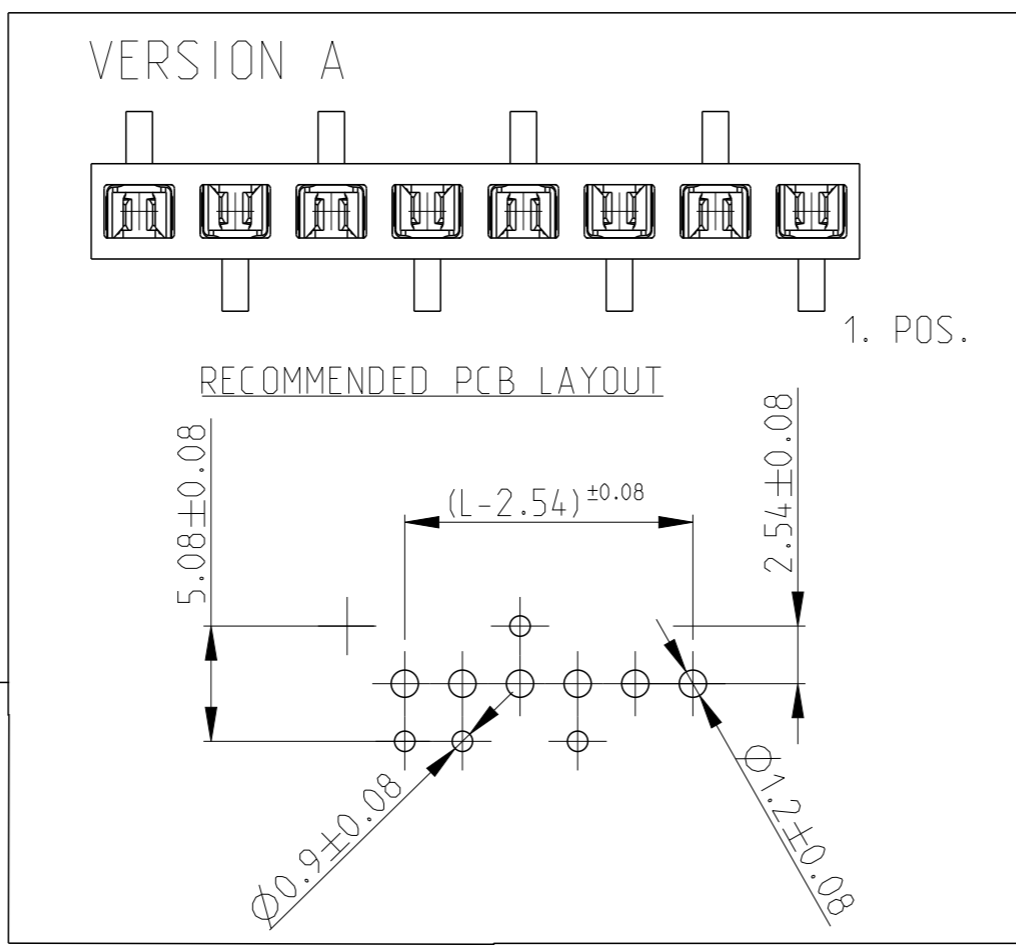
© 2019 TE Connectivity. All Rights Reserved.

VER.	POS. (N)	L ^{+0.3} _{-0.1}	PART-NO.	
A	2	5.08	829265-2	OBSOLETE
B	3	7.62	-3	
A	4	10.16	-4	
B	5	12.70	-5	
A	6	15.24	6	OBSOLETE
B	7	17.78	7	
A	8	20.32	-8	
B	9	22.86	-9	OBSOLETE
A	10	25.40	1-	-0
B	11	27.94	1-	-1
A	12	30.48	4-	-2
B	13	33.02	4-	-3
A	14	35.56	1-	-4
B	15	38.10	4-	-5
A	16	40.64	1-	-6
B	17	43.18	1-	-7
A	18	45.72	1-	-8
B	19	48.26	4-	9
A	20	50.80	2-	0
B	21	53.34	2-	1
A	22	55.88	2-	2
B	23	58.42	2-	3
A	24	60.96	2-	4
B	25	63.50	2-	5
A	26	66.04	2-	6
B	27	68.58	2-	7
A	28	71.12	2-	8
B	29	73.66	2-	9
A	30	76.2	3-	0
B	31	78.74	3-	1
A	32	81.28	3-	2
B	33	83.82	3-	3
A	34	86.36	3-	4
B	35	88.90	3-	5
A	36	91.44	3-829265-6	



REVISIONS					
P	LTR	DESCRIPTION	DATE	DWN	APVD
F		PLASTIC MATERIAL SUPPLIER CHANGE	20MAR2019	SS	PS
G		PLASTIC MATERIAL COLOR CHANGE	15MAR2023	AJK	SPS
G1		PART OBSOLESCENCE	22MAR2024	KA	SS

- NOTES:
- 1 TO DETERMINE DIMENSIONS TAKE N = NR. OF POS.
FOR EXAMPLE: 10 POS; N x 2.54 = 25.4mm
FOR ORDER NO: USE BASIC - NR. + NR. OF POS.
FOR EXAMPLE: 2POS. = 829265-2 (SHORTEST VERSION)
36POS. = 3-829265-6 (LONGEST VERSION)
 - 2 HOUSING MATERIAL: PBT BLACK GLASS FILLED, UL 94V-0
CONTACT MATERIAL: PHOSPHOR BRONZE
 - 3 PLATING:
CONTACT SIDE: 0.8 μm GOLD OVER 1.3 μm NICKEL
SOLDER SIDE: 3.0-5.0 μm TIN OVER 1.3 μm NICKEL
 - 4 MATES WITH 0.63 SQUARE/ROUND MODU POSTS
 - 5 CONTACT POINT
 - 6 RECOMMENDED PCB BOARD THICKNESS: 1.6mm
 - 7 HV100 CONNECTOR PACKED IN ANTI-STATIC BLISTER TRAY
 - 8 OBSOLETE PARTS: OBSOLETE CIS STREAMLINING PER D.RENAUD/D. SINISI



THIS DRAWING IS A CONTROLLED DOCUMENT.

DWN	A.HO	08AUG1988
CHK	M.SCHAARSCHMIDT	10DEC1990
APVD	-	-
PRODUCT SPEC	108-19056	
APPLICATION SPEC	-	
WEIGHT	-	

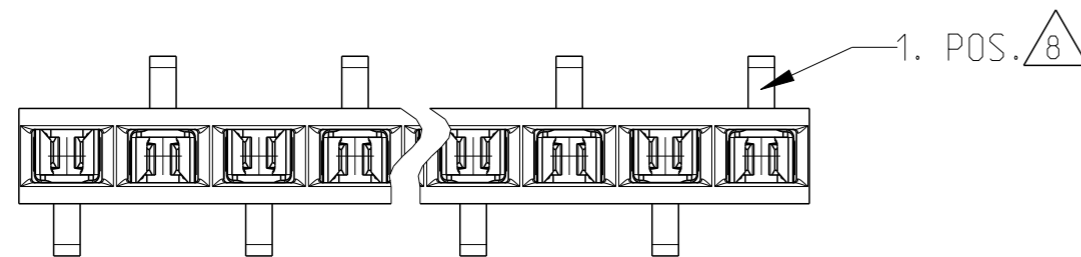
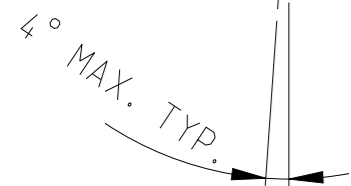
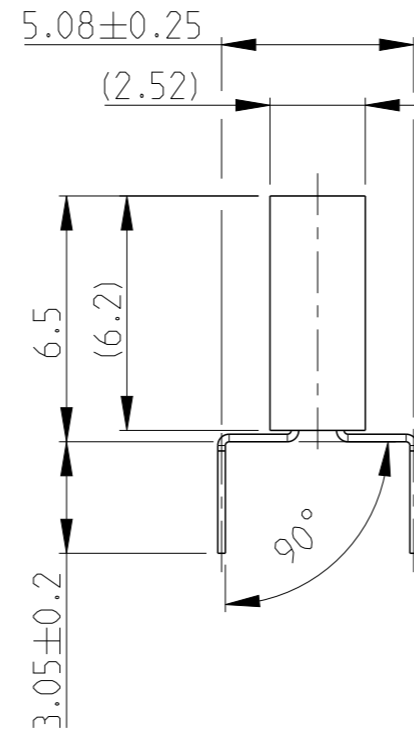
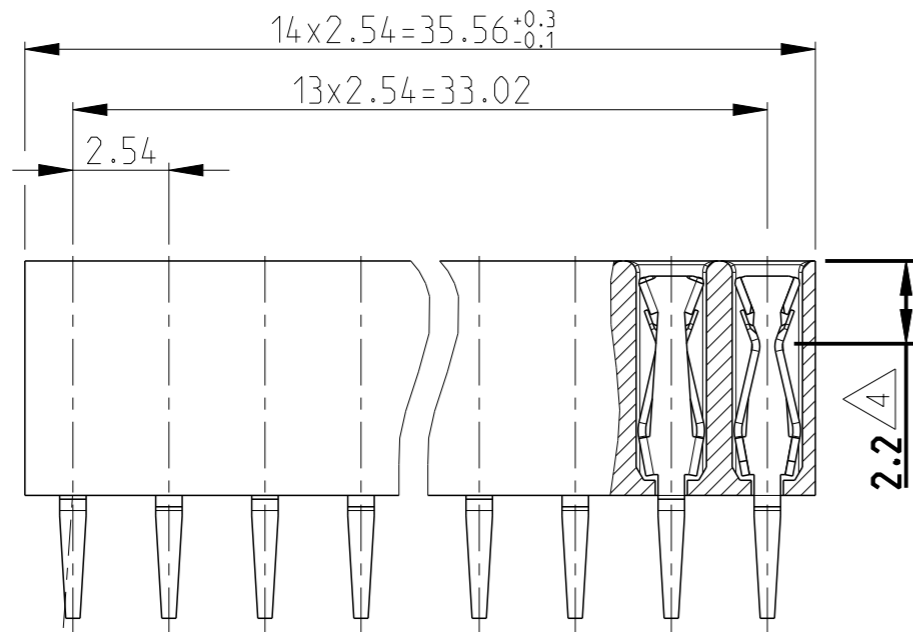
STE TE Connectivity

NAME: HV100 CONNECTOR VERTICAL, 6.2mm TOP ENTRY, SINGLE ROW, GOLD

SIZE	CAGE CODE	DRAWING NO	RESTRICTED TO
A3	00779	829265	

CUSTOMER DRAWING SCALE 4:1 SHEET 1 OF 2 REV G1

P	LTR	DESCRIPTION	DATE	DWN	APVD
-	-	SEE SHEET 1	-	-	-

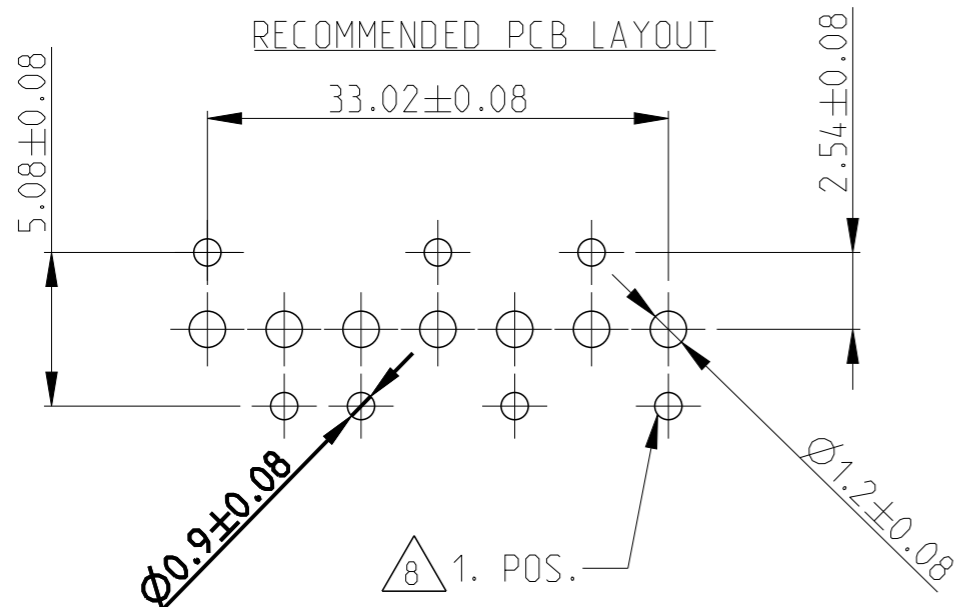


NOTES:

- 1 HOUSING MATERIAL: PBT BLACK GLASS FILLED, UL 94V-0
CONTACT MATERIAL: PHOSPHOR BRONZE
- 2 PLATING:
CONTACT SIDE: 0.8 μm GOLD OVER 1.3 μm NICKEL
SOLDER SIDE : 3.0-5.0 μm TIN OVER 1.3 μm NICKEL
- 3 MATES WITH 0.63 SQUARE/ROUND MODU POSTS
- 4 CONTACT POINT
- 5 RECOMMENDED PC BOARD THICKNESS: 1.6mm
- 6 HV100 CONNECTOR PACKED IN ANTI-STATIC BLISTER TRAY
- 7 OBSOLETE PARTS: OBSOLETE CIS STREAMLINING PER D.RENAUD/D. SINISI
- 8 PAY ATTENTION OF THE POS. OF FIRST CONTACT

FOR FA. DeTeWe ONLY

~~7~~ ~~6-829265-4~~ AS SHOWN
~~6-829265-4~~ WIE GEZEICHNET



THIS DRAWING IS A CONTROLLED DOCUMENT.		DWN A.HQ	08AUG1988	TE Connectivity	
DIMENSIONS: mm		CHK M.SCHAARSCHMIDT	10DEC1990		
TOLERANCES UNLESS OTHERWISE SPECIFIED: ±0.20		APVD -	-	NAME HV100 CONNECTOR VERTICAL, 6.2mm TOP ENTRY, SINGLE ROW, GOLD	
0 PLC ±		PRODUCT SPEC		SIZE	
1 PLC ±		108-19056		CAGE CODE	
2 PLC ±		APPLICATION SPEC		DRAWING NO	
3 PLC ±		-		RESTRICTED TO	
4 PLC ±		WEIGHT		A3 00779 C-829265	
ANGLES ±3°		-		SCALE	
MATERIAL		FINISH		SHEET	
1		2		2 OF 2	
-		CUSTOMER DRAWING		REV G1	