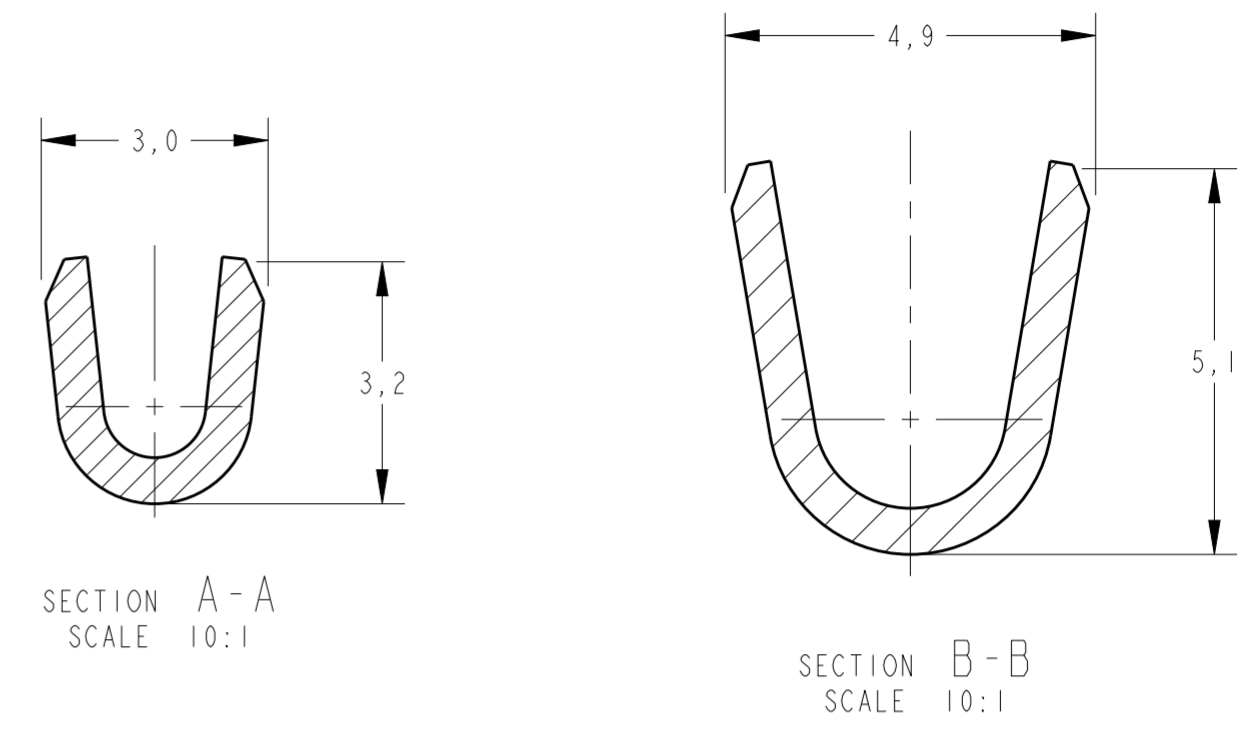
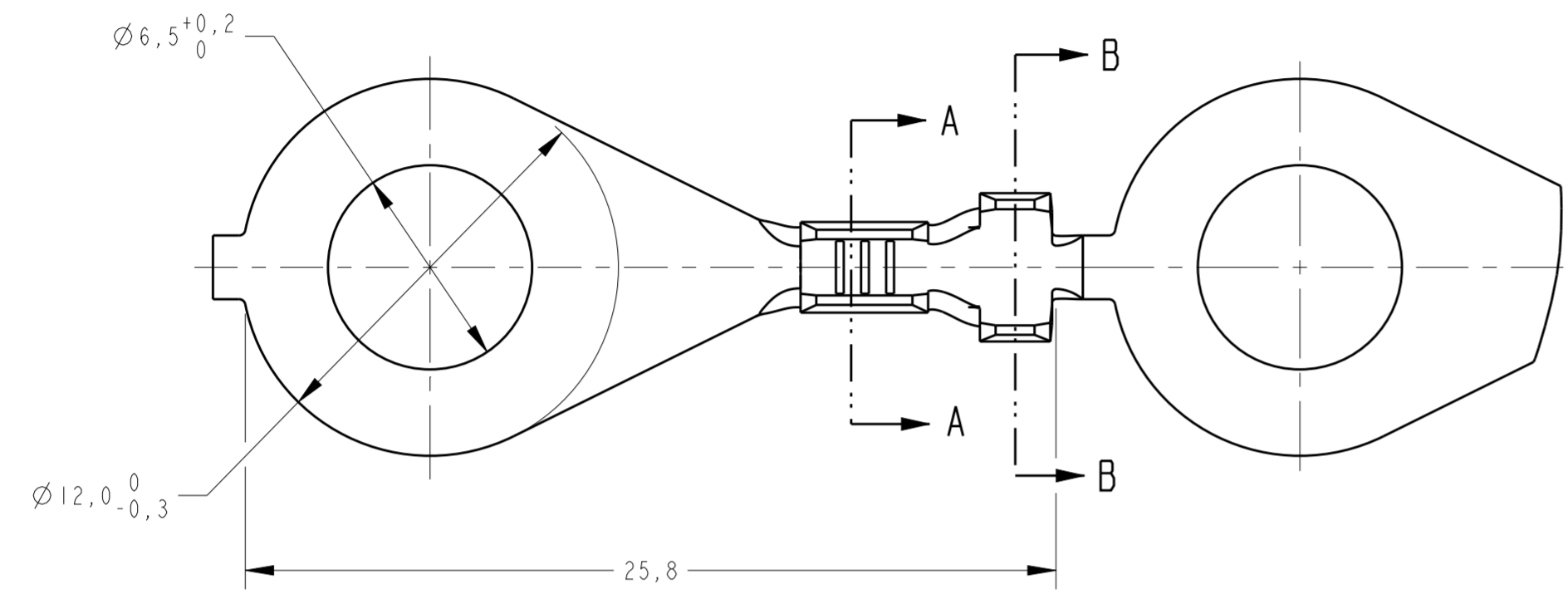


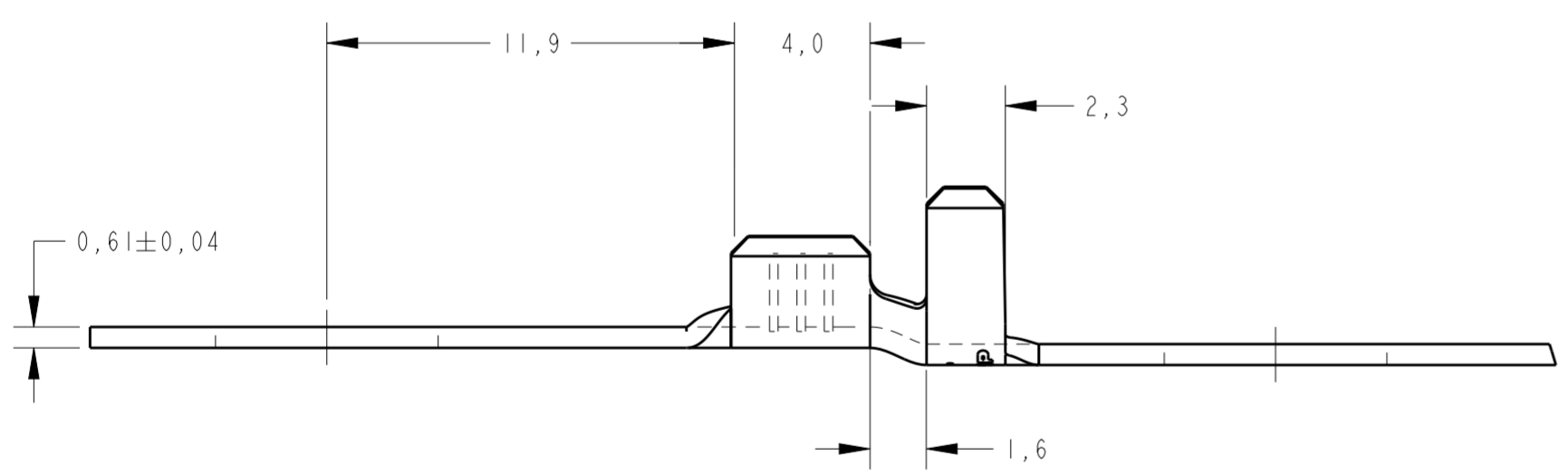
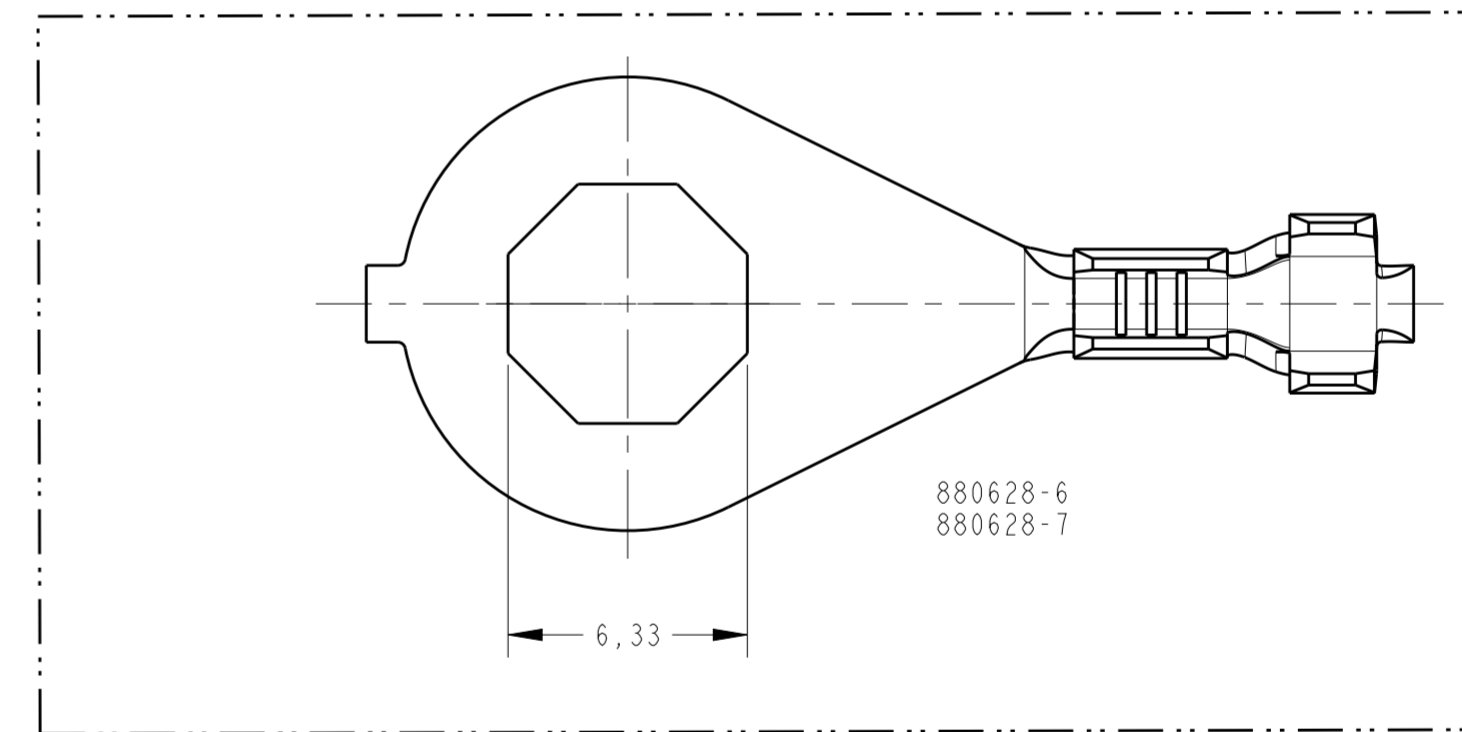
THIS DRAWING IS UNPUBLISHED. RELEASED FOR PUBLICATION 20
 © COPYRIGHT 20 BY - ALL RIGHTS RESERVED.

creo
 Creo Parametric 2.0
DO NOT REVISE
EXCEPT BY CAD

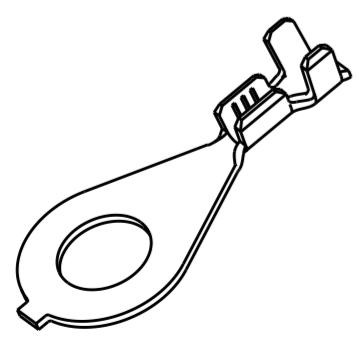
REVISIONS				
P	LTR	DESCRIPTION	DATE	APVD
B3		REV. BY ECO 17-005073	29MAY2017	HC WLS
B4		REVISED BY ECO-17-008235	09JUN2017	LAA JMM



- ① - C.A 272
- ② - REBOBINAR INTERCALANDO COM PAPEL
 - REREELING WITH PAPER INTERLEAVE



FINISH	MATERIAL	PART NUMBER
ESTANHADO / TINNED	LATÃO / BRASS	880628-7
PLAIN	LATÃO / BRASS	880628-6
OBSOLETE ESTANHADO / TINNED	LATÃO / BRASS ②	880628-5
OBSOLETE ESTANHADO / TINNED	BRONZE FOSF. / PHOS. BRONZE	880628-4
OBSOLETE ESTANHADO / TINNED	BRONZE FOSF. / PHOS. BRONZE	880628-3
ESTANHADO / TINNED	LATÃO / BRASS	880628-2
—	LATÃO / BRASS	880628-1



INS.DIA.RANGE	WIRE RANGE
2,0-3,3mm	0,5-1,0mm ²

THIS DRAWING IS A CONTROLLED DOCUMENT.

DIMENSIONS: mm	TOLERANCES UNLESS OTHERWISE SPECIFIED:	DWN: NCLAPRESA 26MAY2015	TE Connectivity
	0 PLC ±	CHK: FFORTUNATO 26MAY2015	
	1 PLC ±0,3	APVD: FFORTUNATO 26MAY2015	
	2 PLC ±	PRODUCT SPEC	
	3 PLC ±	APPLICATION SPEC	NAME: RING TONGUE
	4 PLC ±	WEIGHT: -	SIZE: A2
	ANGLES ±°	Customer Drawing	CAGE CODE: -
	FINISH: -	SCALE: 5:1	DRAWING NO: C-880628
MATERIAL: SEE TABLE	SEE TABLE	SHEET: 1 OF 1	RESTRICTED TO: -
		REV: B4	