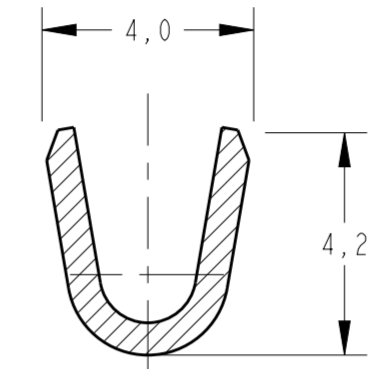
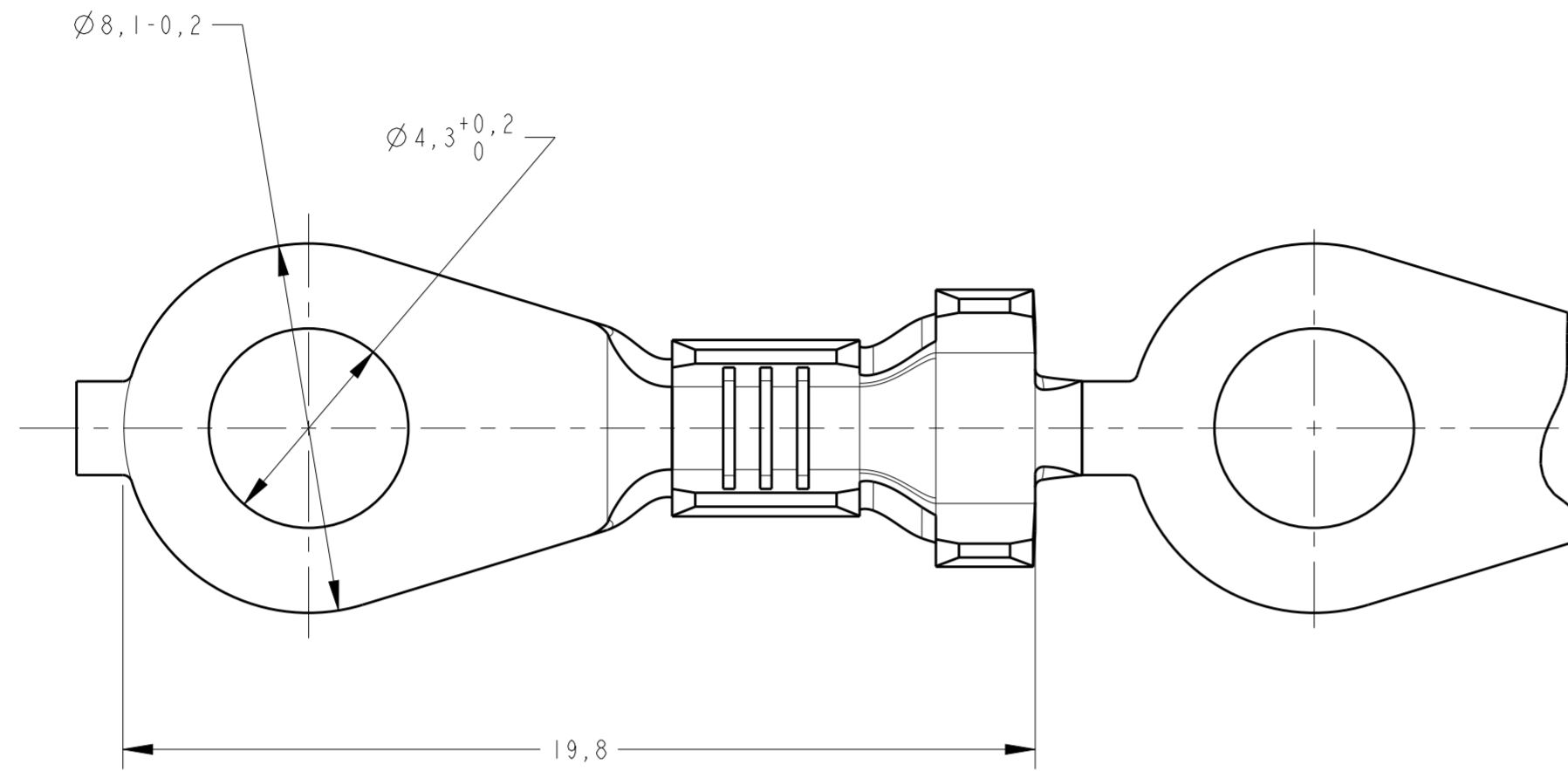


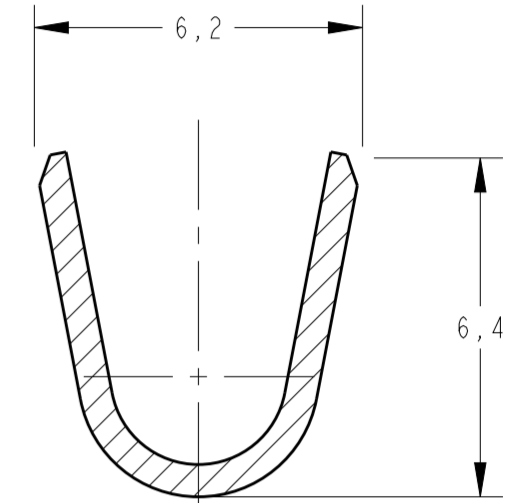
THIS DRAWING IS UNPUBLISHED. RELEASED FOR PUBLICATION 20
 © COPYRIGHT 20 BY - ALL RIGHTS RESERVED.

creo
 Creo Parametric 2.0
DO NOT REVISE
EXCEPT BY CAD

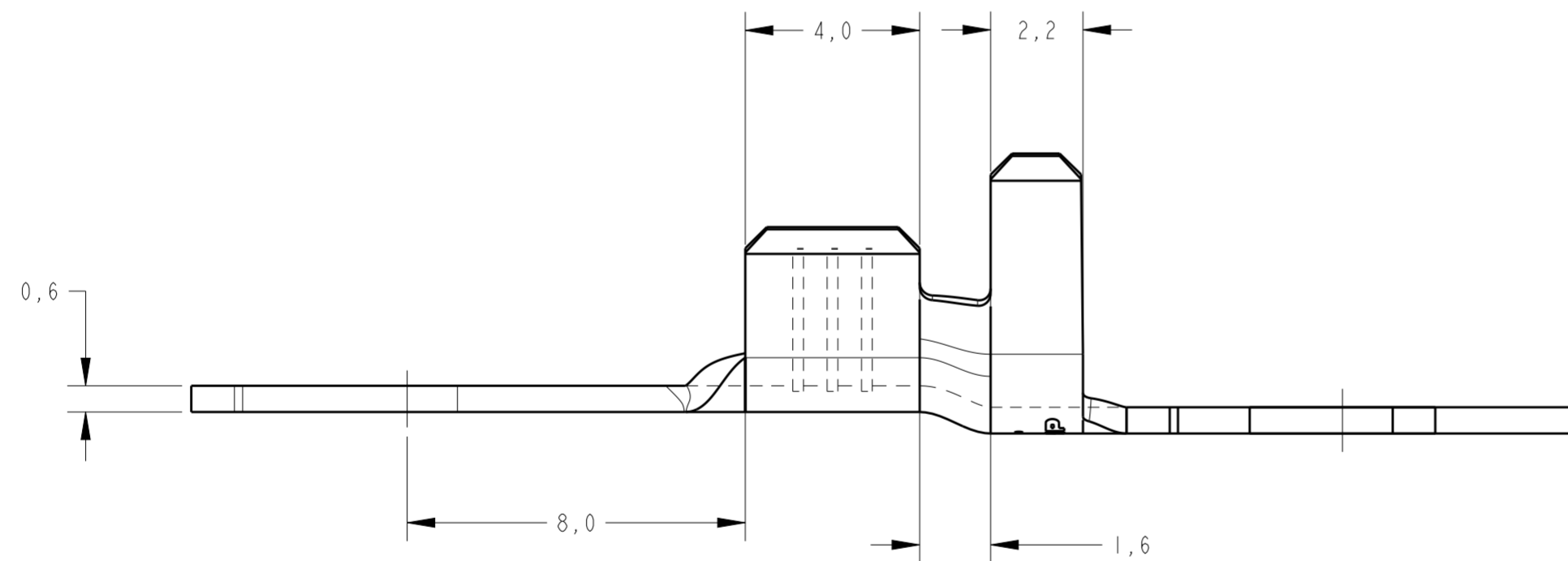
REVISIONS				
P	LTR	DESCRIPTION	DATE	APVD
B3		REV. BY ECO 17-007730	29MAY2017	HC WLS
B4		REV. BY ECO 19-005399	14MAY2019	WLS WLS



SECTION A-A
 SCALE 7:1

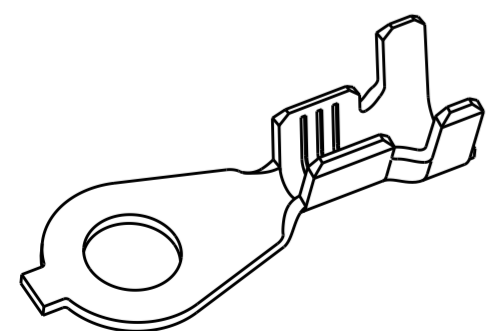


SECTION B-B
 SCALE 7:1



- 1 - REBOBINAR INTERCALADO COM PAPEL.
 - REELING WITH PAPER-INTERLEAVE.
- 2 - MÉTODO DE EMENDAS FEITO POR PAPEL ENTRE CAMADAS.
 - SPLICING METHOD MADE BY THE INTERLEAVING PAPER.

OBSOLETE	PEÇA SOLTA / LOOSE PIECE	ESTANHADO / TIN PLATED	MF-2	1-880642-2
OBSOLETE	PEÇA SOLTA / LOOSE PIECE	---	MF-1	1-880642-1
OBSOLETE	---	ESTANHADO / TIN PLATED	LATÃO / BRASS	880642-4
---	---	---	BRONZE FOSF./PHOSP.BRONZE	880642-3
---	---	ESTANHADO / TIN PLATED	LATÃO / BRASS	880642-2
---	---	---	LATÃO / BRASS	880642-1
	LOOSE PIECE	FINISH	MATERIAL	PART NUMBER



PERSPECTIVE VIEW
 SCALE 3:1

INS. DIA. RANGE	2,7-4,0mm
WIRE RANGE	>1,0-2,5mm ²

THIS DRAWING IS A CONTROLLED DOCUMENT.		DWN	NCLAPRESA	09DEC2014	 TE Connectivity
DIMENSIONS: mm		CHK	ECHRISTIANO	09DEC2014	
TOLERANCES UNLESS OTHERWISE SPECIFIED:		APVD	WPRADO	09DEC2014	
0 PLC ± 1 PLC ±0,3 2 PLC ± 3 PLC ± 4 PLC ± ANGLES ±° FINISH		PRODUCT SPEC	-		
MATERIAL		SEE TABLE	SEE TABLE		NAME
-		-		APPLICATION SPEC	-
-		-		WEIGHT	-
-		-		CUSTOMER DRAWING	SCALE 4:1 SHEET 1 OF 1 REV B4