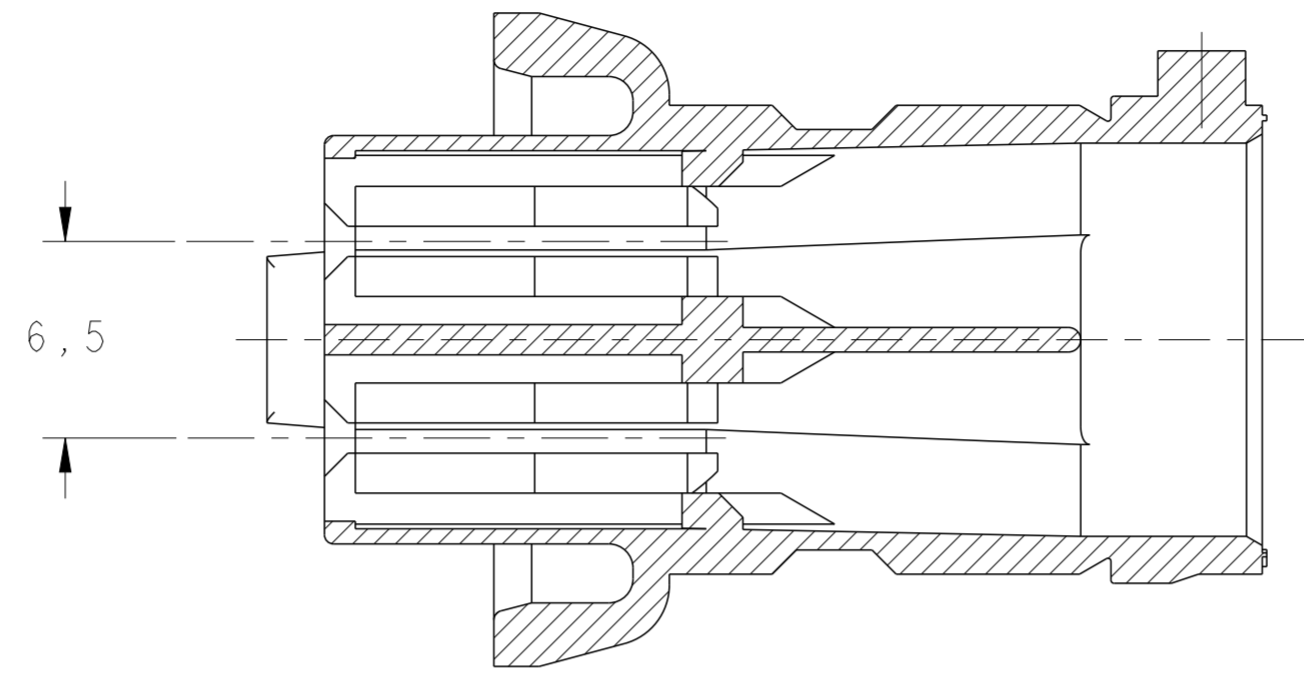
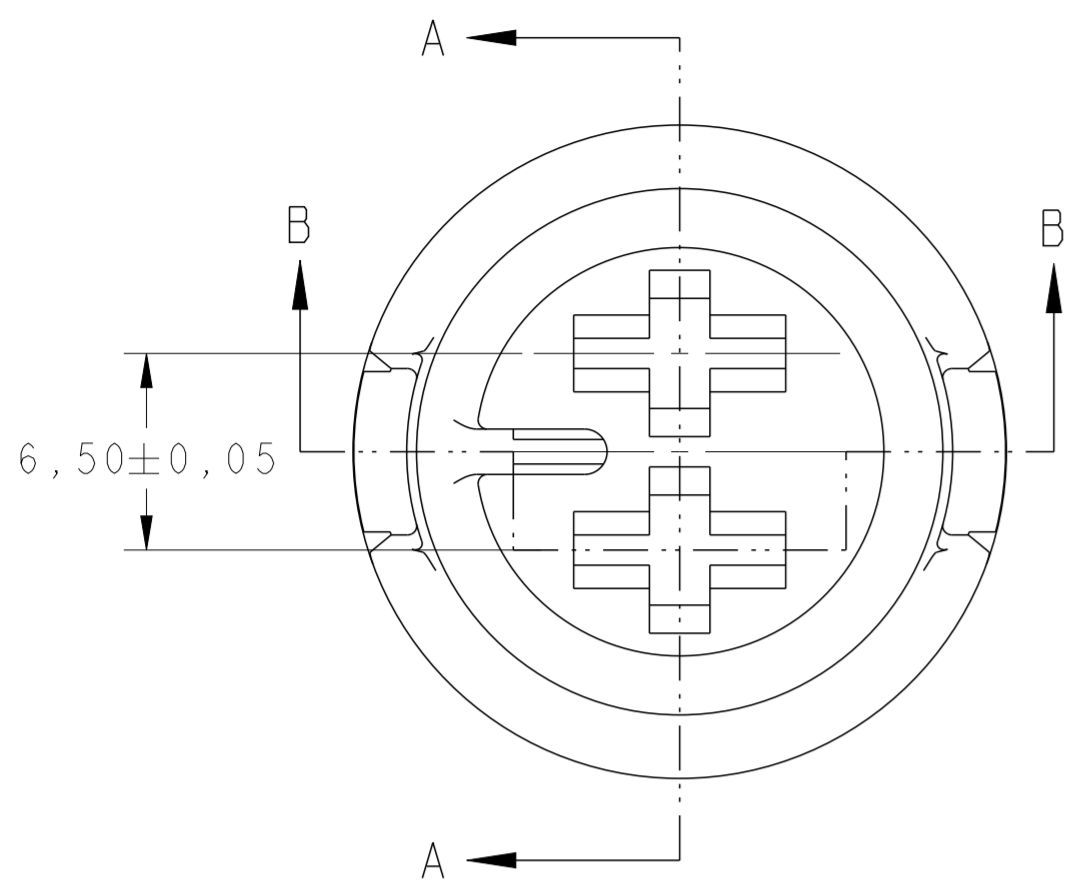


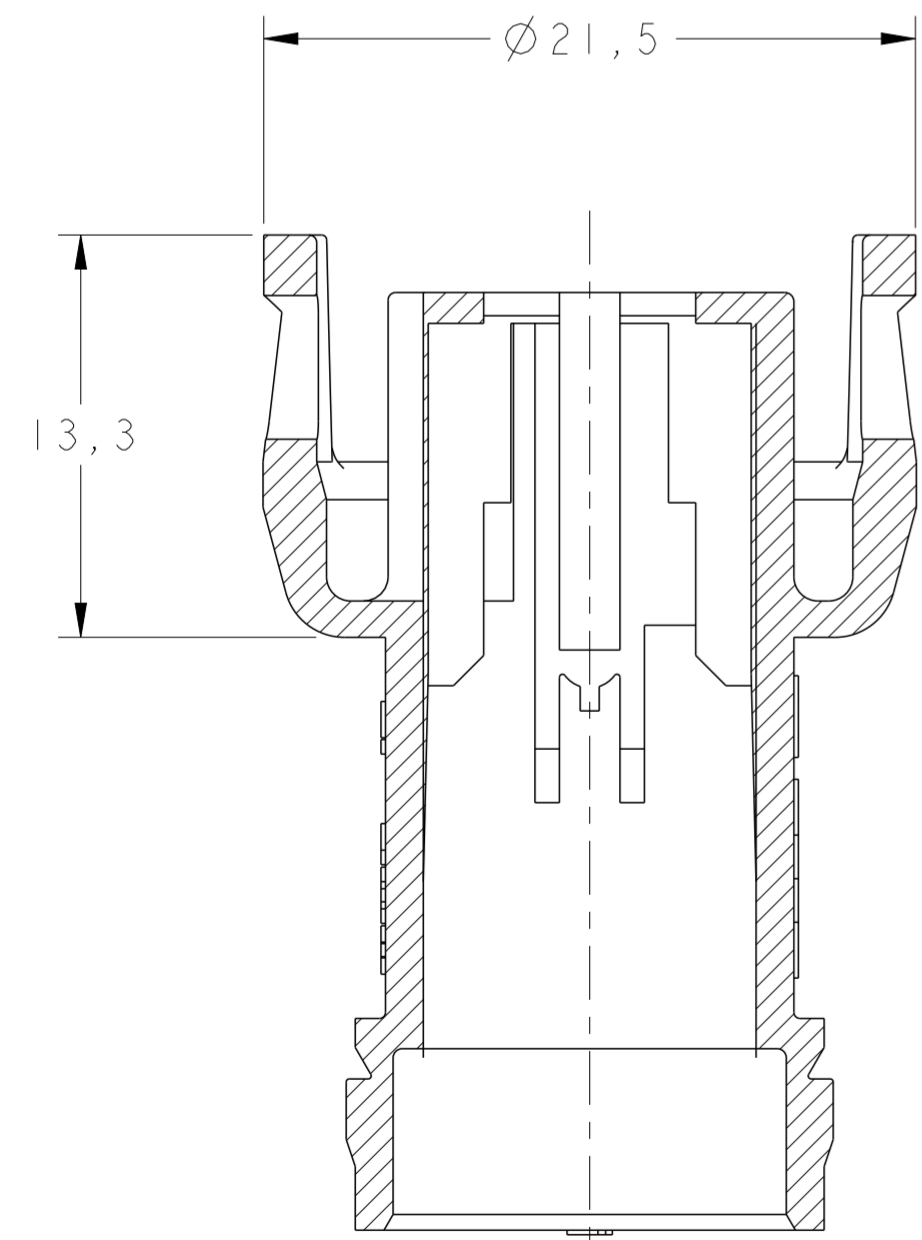
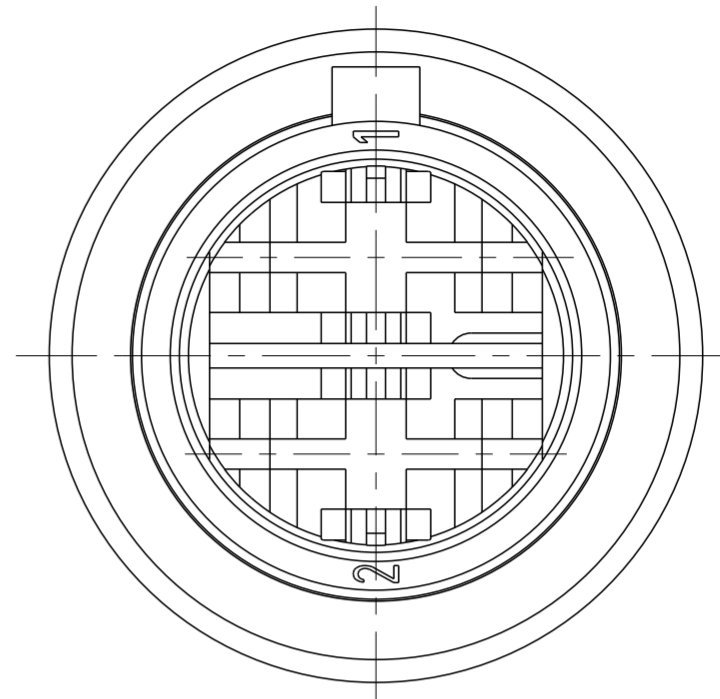
THIS DRAWING IS UNPUBLISHED. RELEASED FOR PUBLICATION 20
 © COPYRIGHT 20 BY - ALL RIGHTS RESERVED.

creo
 Creo Parametric 2.0
DO NOT REVISE
EXCEPT BY CAD

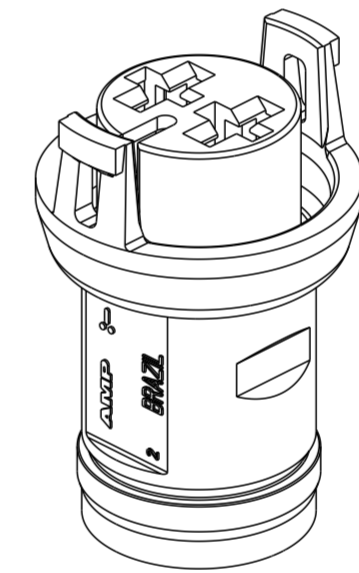
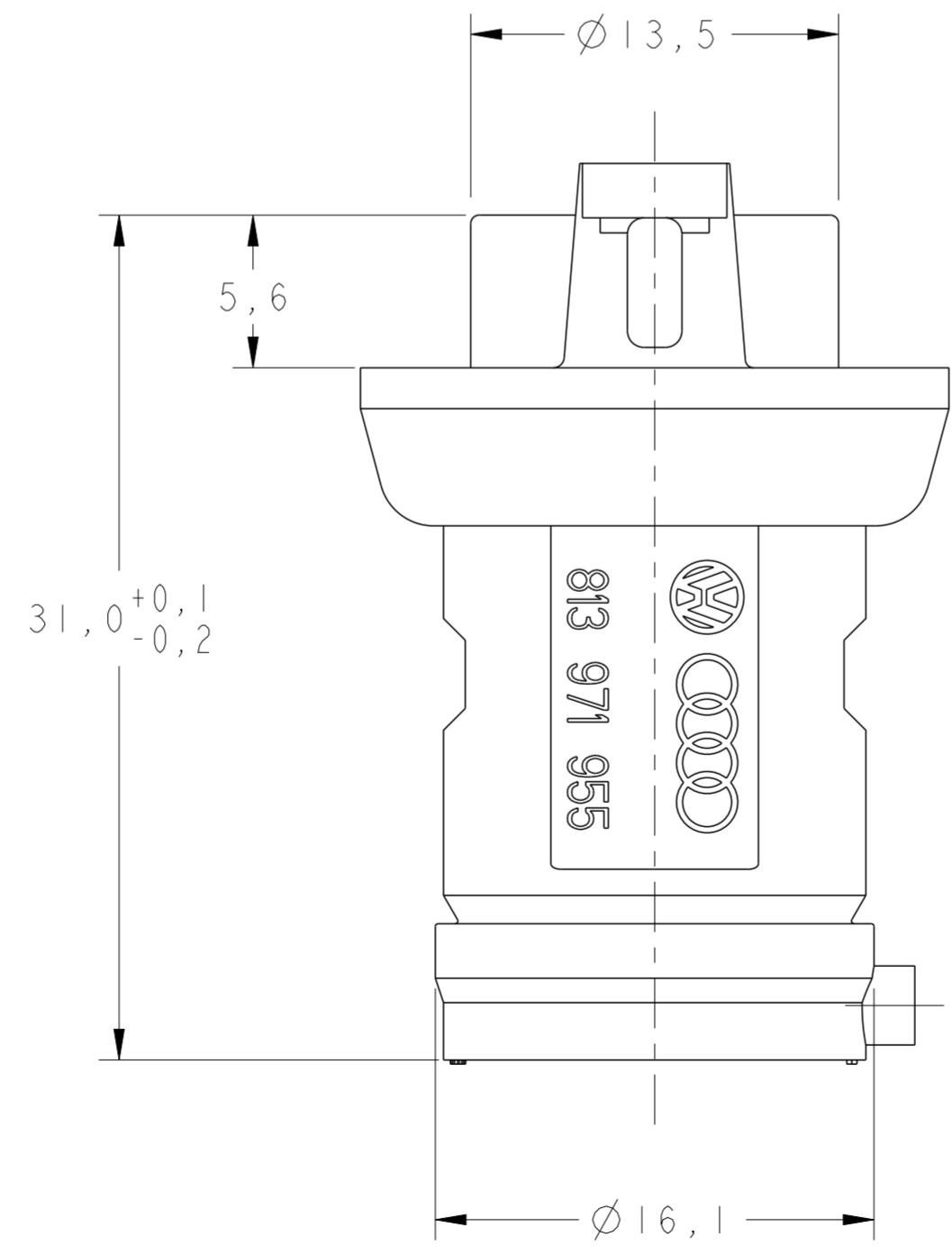
REVISIONS					
P	LTR	DESCRIPTION	DATE	DWN	APVD
		REDRAW BY CAD ECO-08-013813	13JUN2008	NCL	MLO
C3		OBSOLETED VARIANTS -2, -3, -4	06OCT2023	KMD	SCK



SECÇÃO A-A
 SECTION A-A



SECÇÃO B-B
 SECTION B-B



PERSPECTIVE VIEW
 SCALE 2:1

GRAVAÇÃO MARKING	
LOGOTIPO TE	TE LOGO
CÓDIGO PAÍS PRODUTOR	MANUFACTURER COUNTRY CODE
NÚMERO CAVIDADE	CAVITY NUMBER
IDENTIFICAÇÃO CIRCUITO	CIRCUIT IDENTIFICATION
LOGOTIPO VW	VW LOGO
NÚMERO PEÇA CLIENTE	CUSTOMER PART NUMBER
PAÍS PRODUTOR	MANUFACTURER COUNTRY

CINZA / GRAY	PA 6.6	-8
VERDE / GREEN	PA 6.6	-7
BRANCO / WHITE	PA 6.6	-6
AZUL / BLUE	PA 6.6	-5
AMARELO / YELLOW	PA 6.6	-4
VERMELHO / RED	PA 6.6	-3
MARROM / BROWN	PA 6.6	-2
PRETO / BLACK	PA 6.6	881205-1
FINISH	MATERIAL	PART NUMBER

OBSOLETE

DIMENSIONS:		TOLERANCES UNLESS OTHERWISE SPECIFIED:		DWN		CHK		APVD		NAME	
mm		0 PLC	±	NCLAPRESA	13JUN2008	P. L. FARIA	13JUN2008	GOLIVEIRA	13JUN2008	HOUSING 2 POSN STD. POWER TIMER RCPT	
		1 PLC	±0.3							SIZE	RESTRICTED TO
		2 PLC	±							CAGE CODE	
		3 PLC	±							DRAWING NO	
		4 PLC	±							SCALE	
		ANGLES	±1							SHEET	
		FINISH								OF	
MATERIAL	SEE TABLE	FINISH	SEE TABLE							REV	
										C3	