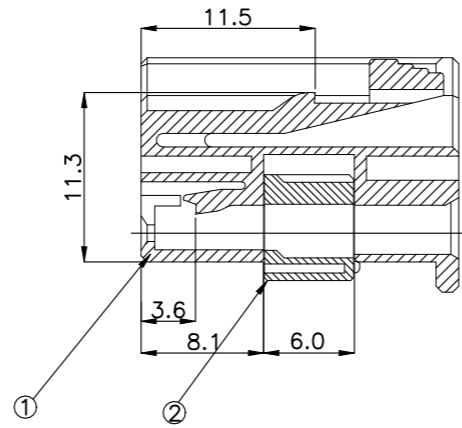
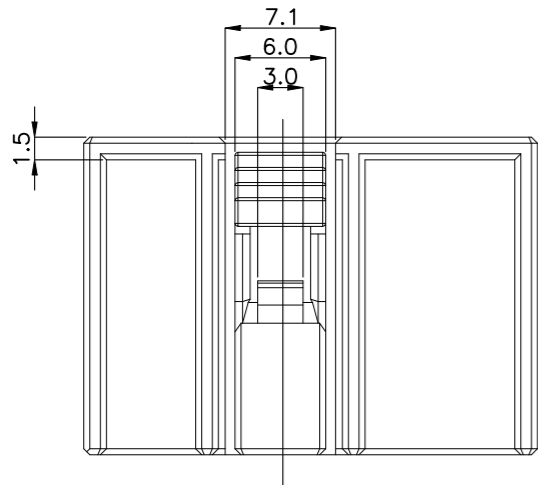
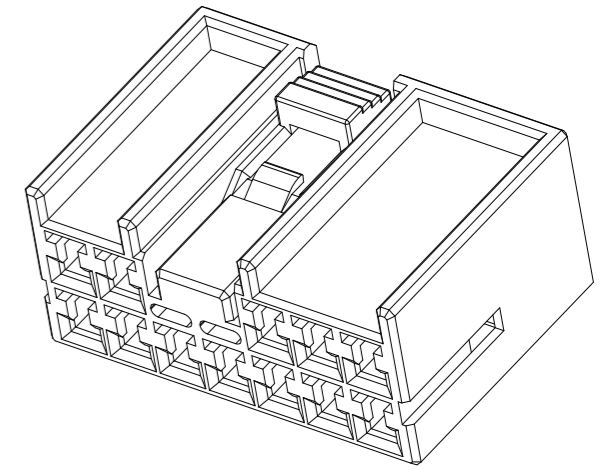


| P | LTR | DESCRIPTION | DATE | DWN | APVD |
|---|-----|---------------------------|-----------|-----|------|
| | B2 | REVISED PER ECR-23-177343 | 19MAY2023 | RK | JT |



SECTION A-A

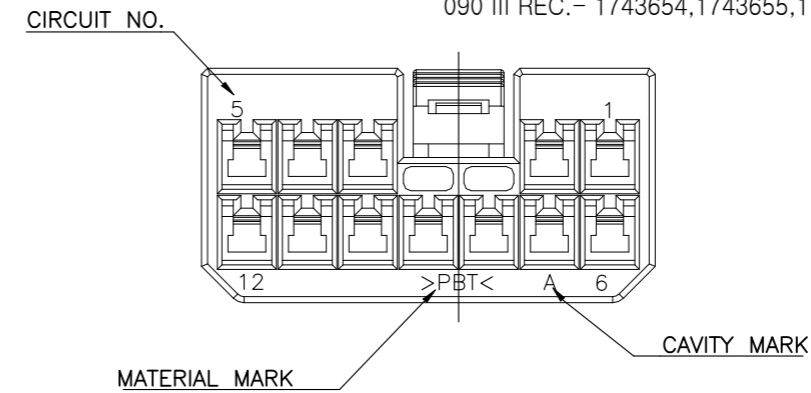
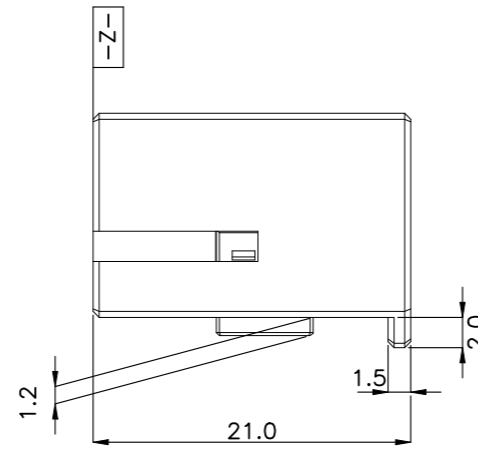
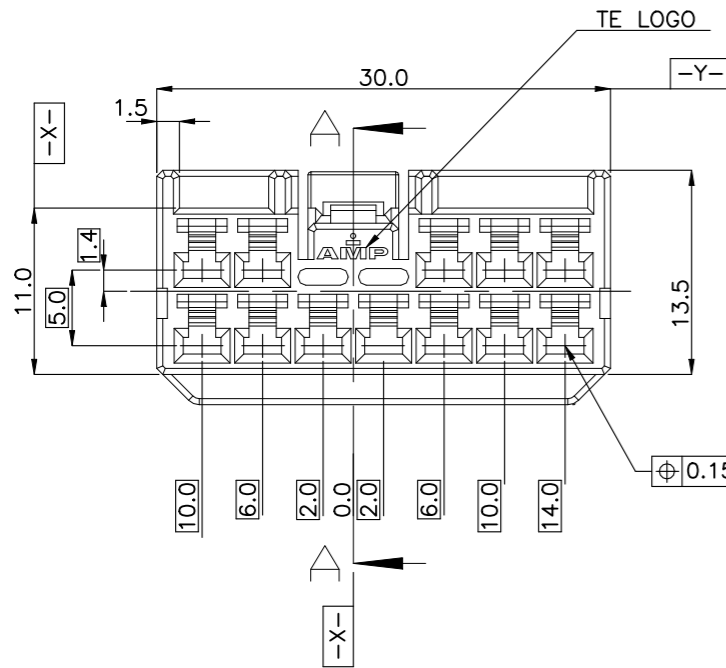


NOTES.

- THE MATING HSG. P/N ; 936207
- APPLIED CONTACT P/N ;
 090 II REC.- 368083,368084,368085
 090 III REC.- 1743654,1743655,1743656,1897753,1897598

-주기-

- 상대 하우징 P/N. : 936207
- 적용단자 P/N. ; 090 II REC.- 368083,368084,368085
 090 III REC.- 1743654,1743655,1743656,1897753,1897598



| NO | COLOR | MATERIAL | DESCRIPTION | P/N | QTY |
|----|---------|----------|-------------|------------|-------------|
| 1 | BLUE | PBT | PLUG | 0-936197-8 | 1 |
| | YELLOW | PBT | PLUG | 0-936197-5 | 1 |
| | BROWN | PBT | PLUG | 0-936197-4 | 1 |
| | D/GRAY | PBT | PLUG | 0-936197-3 | 1 |
| | BLACK | PBT | PLUG | 0-936197-2 | 1 |
| | NATURAL | PBT | PLUG | 0-936197-1 | 1 |
| 2 | NATURAL | PBT | DBL | 0-936198-1 | 1 1 1 1 1 1 |

| ASSY P/N | STATUS |
|------------|----------|
| 0-936196-8 | OBsolete |
| 0-936196-5 | OBsolete |
| 0-936196-4 | |
| 0-936196-3 | |
| 0-936196-2 | |
| 0-936196-1 | |

TOLERANCES UNLESS OTHERWISE SPECIFIED:

| | |
|----------|--------|
| 0 <XX<10 | ± 0.2 |
| 10<XX<30 | ± 0.25 |
| 30<XX | ± 0.3 |
| ANGLES | ± 3° |

THIS DRAWING IS A CONTROLLED DOCUMENT.

| | |
|-------------|--|
| DIMENSIONS: | TOLERANCES UNLESS OTHERWISE SPECIFIED: |
| mm | |
| | 0 PLC ± - |
| | 1 PLC ± - |
| | 2 PLC ± - |
| | 3 PLC ± - |
| | 4 PLC ± - |
| | ANGLES ± - |
| MATERIAL | FINISH |
| SEE TABLE | - |

| | | |
|------------------|---------|--|
| DWN | KT JUNG | |
| CHK | JW JUNG | |
| APVD | HG CHO | |
| PRODUCT SPEC | | |
| APPLICATION SPEC | | |
| WEIGHT | - | |
| CUSTOMER DRAWING | | |

| | | | |
|-----------------|-----------|-----------------------|---------------|
| TE Connectivity | | 090III 12P PLUG ASS'Y | |
| SIZE | CAGE CODE | DRAWING NO | RESTRICTED TO |
| A3 | 00779 | C-936196 | - |
| SCALE | SHEET | REV | |
| 2:1 | 1 OF 1 | B2 | |