

THIS DRAWING IS UNPUBLISHED.

RELEASED FOR PUBLICATION

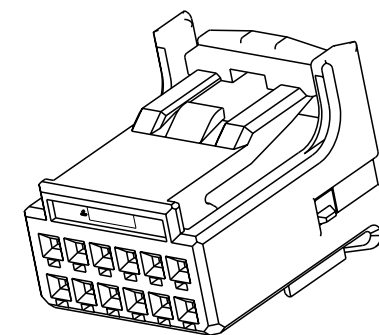
2017

© COPYRIGHT 2002 BY TE CONNECTIVITY

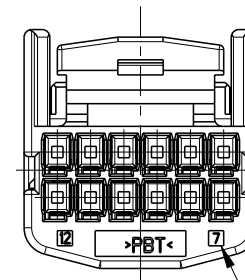
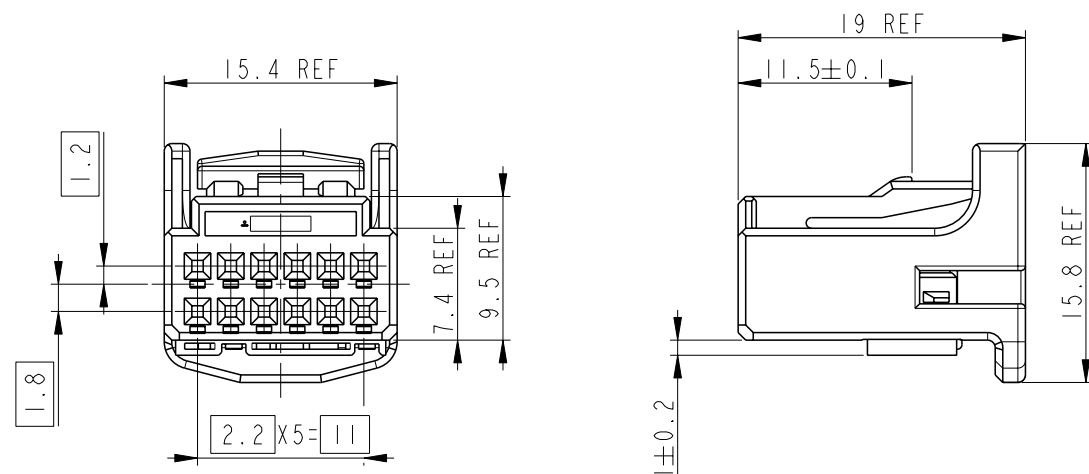
ALL RIGHTS RESERVED.

REVISIONS

P	LTR	DESCRIPTION	DATE	DWN	APVD
	A	REVISED (ECR-06-022215)	26. JUN. '07	SW	JK
	A1	REVISED (ECR-14-012386)	18. AUG. '14	JM	JW
	B	REVISED (ECR-15-017140)	09. JAN. '15	JM	JW
	B1	REVISED (ECR-17-000975)	23JAN2017	JM	JW



3D VIEW (SCALE 2:1)



CIRCUIT NUMBER

NOTES:

1. RETAINER SHOULD BE SET TO THE PRE-ASSEMBLY POSITION WITHIN THE PLUG HOUSING WHEN SHIPPED TO THE CUSTOMER
2. THE RETENTION LATCH OF THE RETAINER MUST BE OUTSIDE OF PLUG HOUSING WHEN PRE-ASSEMBLY
3. RETAINER RETENTION FORCE FROM HOUSING: 20N MIN.
4. PART NUMBER OF CAP HOUSING: 1318772
5. APPLIED TERMINAL:

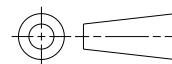
PART NO.	WIRE RANGE
1123343-1	0.3~0.5SQ
2005427-1	0.3~0.5SQ
2005097-1	0.13~0.22SQ

GENERAL TOLERANCES	
10 MAX	±0.2
10 OVER 30 MAX	±0.25
30 OVER	±0.3
ANGLES	±3°

(B1)

THIS DRAWING IS A CONTROLLED DOCUMENT.

DIMENSIONS: mm



TOLERANCES UNLESS OTHERWISE SPECIFIED:

0 PLC	±
1 PLC	±
2 PLC	±
3 PLC	±
4 PLC	±
ANGLES	±

MATERIAL

SEE TABLE

DWN JM JEON

CHK -

APVD JW JUNG

PRODUCT SPEC -

APPLICATION SPEC

114-5250

WEIGHT -

CUSTOMER DRAWING



NAME 025 12P PLUG ASSEMBLY

SIZE	CAGE CODE	DRAWING NO	RESTRICTED TO
A3	00779	C-936348	-

SCALE 2:1

SHEET 1 OF 1 REV B1

ASS'Y P/N	936348-2	936348-1

NO.	COLOR/FINISH	MATERIAL	DESCRIPTION	QT'Y
2	NATURAL	PBT	DBL HSG(S)	1
	NATURAL	PBT	DBL HSG	1
1	BLACK	PBT	PLUG HSG	1
	NATURAL	PBT	PLUG HSG	1