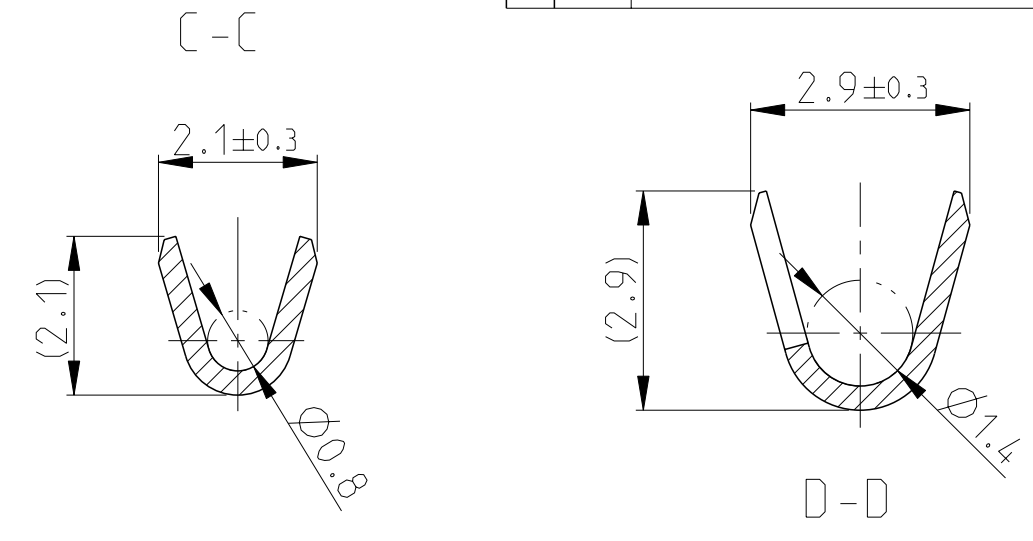
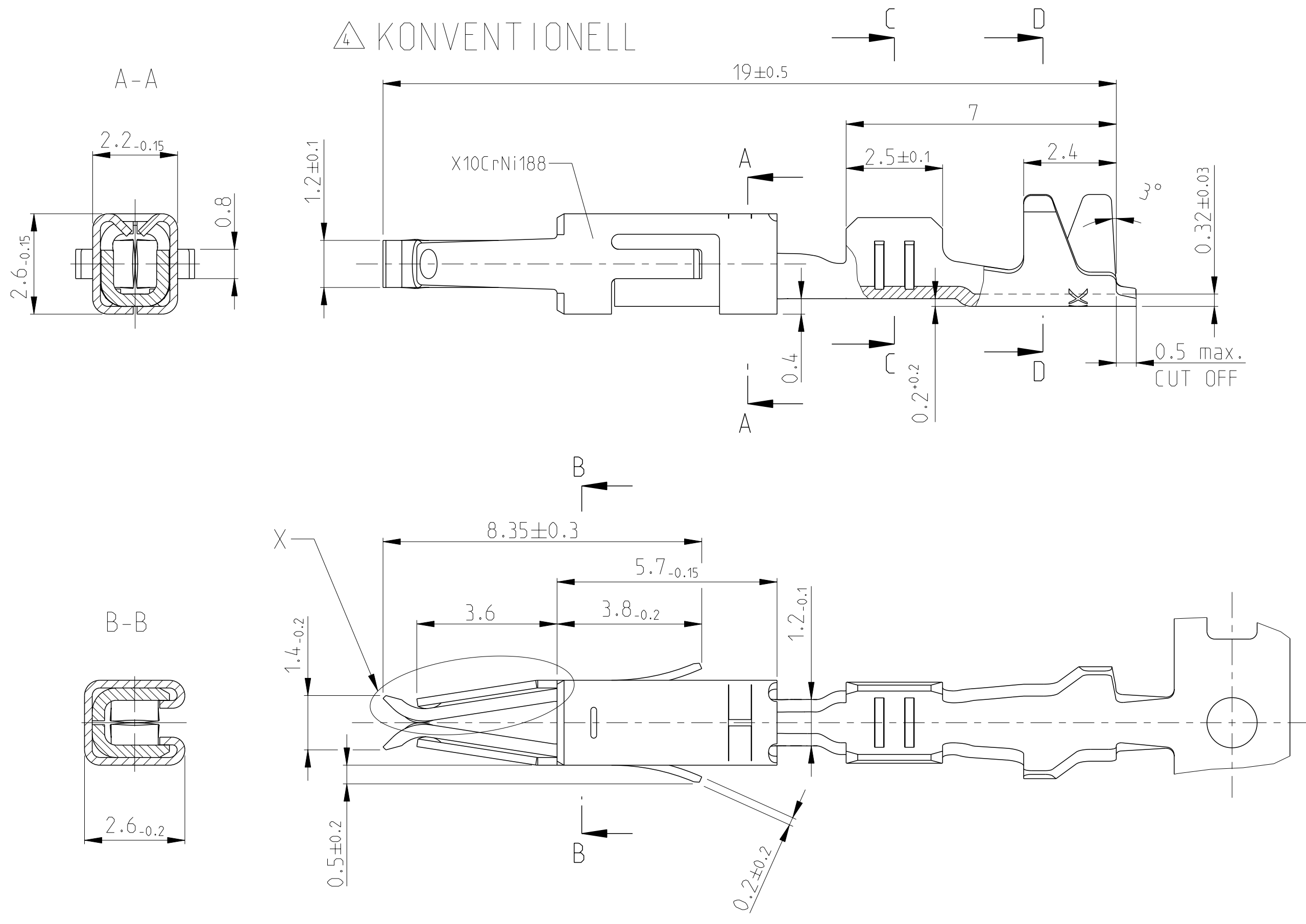


THIS DRAWING IS UNPUBLISHED. RELEASED FOR PUBLICATION 2008
 © COPYRIGHT 2008 Tyco Electronics AMP GmbH ALL RIGHTS RESERVED.

LOC	DIST	REVISIONS			
P	LTR	DESCRIPTION	DATE	DWN	APVD
J4		SURFACE ERROR (962942-6) CHANGE NOTE 1 TO NOTE 2	06MAR2012	Kirs	Eder
J5		SET PN 's OBSOLETE	17JUN2014	Ho.	Eder
J6		ECR-22-153256	21SEP2022	FRAN	SCHI
J7		OBSOLETE PN 962942-5	23AUG2023	FRAN	SCHI

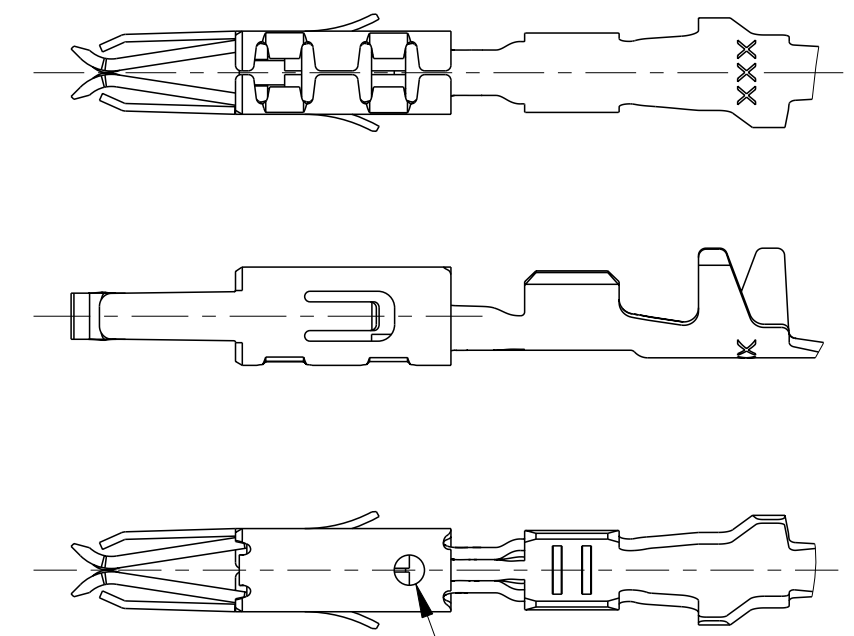
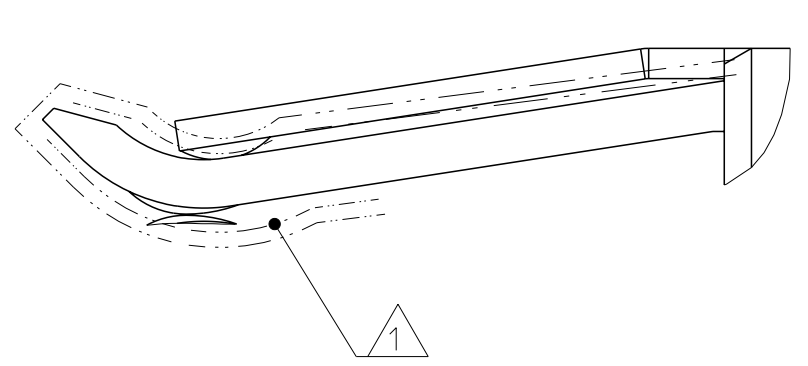


NOTES
Bemerkungen

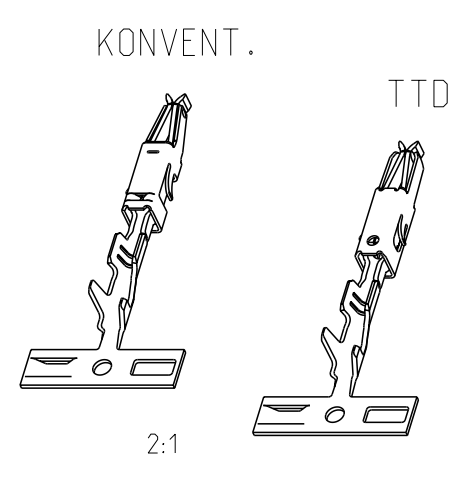
- 1 SELECTIVE GOLD OVER NICKEL 0.8 µm MIN.
selektiv vergoldet ueber Nickel 0.8 µm min.
- 2 TIN PLATED OVER NICKEL 0.2 µm MIN.
verzinkt ueber Nickel 0.2 µm min.
- 3 WIRE RANGE : 0.2 - 0.5 mm²
INSULATION-Ø : 1.15 - 1.6 mm (FLR)
Drahtgroessenbereich : 0.2 - 0.5 mm²
Isolations-Ø : 1.15 - 1.6 mm (FLR)

X
M 20:1

5 TWO TRACK DIE
M 5:1



OPTIONAL
wahlweise



VERSION	LP NO	SURFACE / Oberflaeche	MATERIAL	PART NO	REV
4 5	962944-5	1 2	CuFe2	962942-5	J
4 5	962944-3	1 2	CuSn4	962942-3	J
4 5	962944-2	PRETIN	CuFe2	962942-2	J
4 5	962944-1	PRETIN	CuSn4	962942-1	J

THIS DRAWING IS A CONTROLLED DOCUMENT.

DIMENSIONS: mm	TOLERANCES UNLESS OTHERWISE SPECIFIED: 0-PLC ± 1-PLC ± 2-PLC ±0.2 3-PLC ± 4-PLC ± ANGLES ±2° FINISH	DWN 24 JUL 2003 M.Pfeilschiffer CHK 24 JUL 2003 M.Brunner APVD 24 JUL 2003 M.Bleicher	TE Connectivity NAME MICRO TIMER 2 CONTACT Micro Timer 2 Kontakt		
MATERIAL		PRODUCT SPEC 108-18055 APPLICATION SPEC 114-18081 WEIGHT 0.3 g	SIZE A2 CAGE CODE 00779 DRAWING NO C-962942	RESTRICTED TO	
CUSTOMER DRAWING			SCALE 10:1	SHEET 1 OF 1	REV J7

printed on 24. Aug 2023 11:44 (Mitteleurop from TE220462)