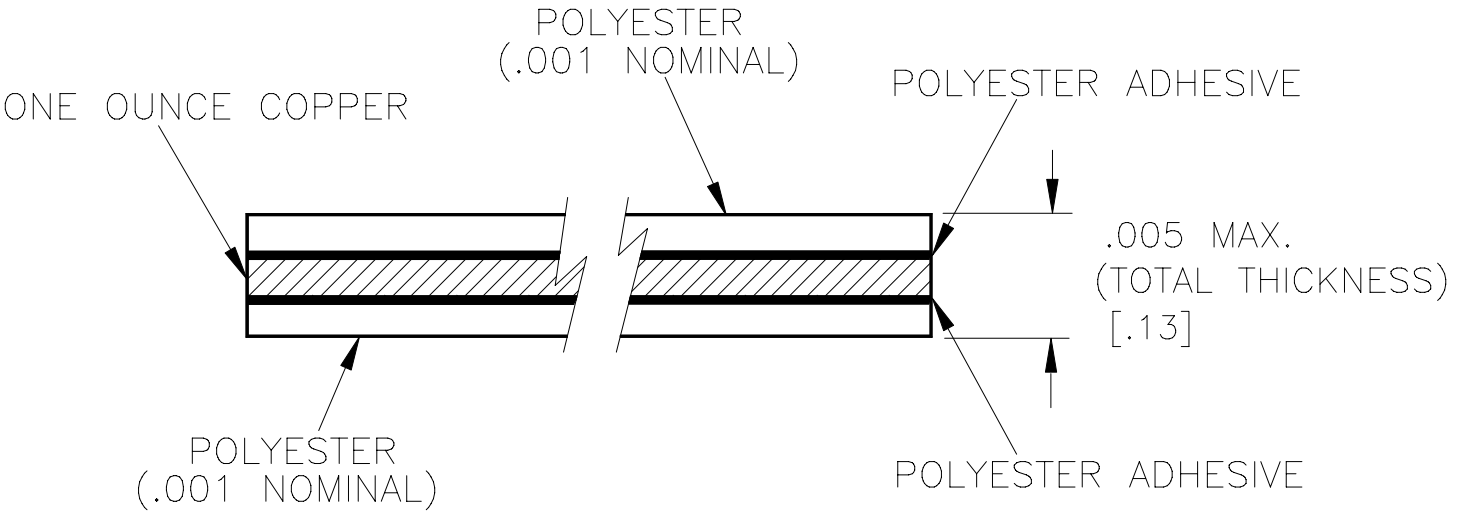
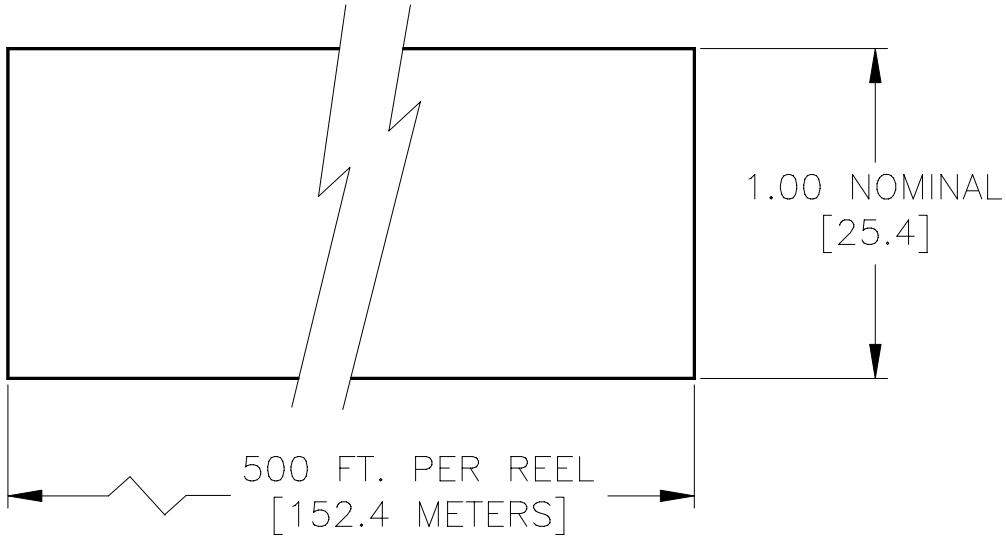


REVISIONS			
LTR	DESCRIPTION	DATE	APPROVED
N/C	INITIAL RELEASE, ECN# T-4249	8/4/93	M.HIGGY
A	REDRAWN AND REVISED PER DCR# T-23891	12/30/99	M.HIGGY

NOTES:

1. PACKAGE IS 500 FEET PER REEL.
2. LENGTH TOLERANCE IS $\pm 2\%$
3. WHEN INSTALLED IN DIRECT CONTACT WITH FLAT CONDUCTOR CABLE, THIS SHIELD MEETS THE REQUIREMENTS OF RAYCHEM SPECIFICATION C-6119, SURFACE TRANSFER IMPEDANCE LEVEL IS APPLICATION DEPENDENT.



SPECIFICATION CONTROL DRAWING

If this document is printed it becomes uncontrolled.
Check with the web for latest revision.

UNLESS OTHERWISE SPECIFIED DIMENSIONS ARE IN INCHES. METRIC DIMENSIONS ARE IN BRACKETS.

DECIMALS
 .XXX \pm .010 [— mm]
 .XX \pm .03 [— mm]

ANGLES
 .X \pm —

WEIGHT:
 2.87g (0.0063 Lbs) / ft. MAXIMUM

DRAWN	ZS.O.	12/16/99
CHECKED		
APPROVED		
APPROVED	M.HIGGY	12/30/99
CAD NAME	T23891.DWG	
THIRD ANGLE PROJECTION		

		RAYCHEM CORPORATION 300 CONSTITUTION DRIVE MENLO PARK, CALIFORNIA 94025	
		TITLE 1" WIDE SHIELD FOR FLAT CABLE, COPPER-POLYESTER LAMINATE, 2 SIDES	
SIZE	CODE IDENT. NO.	DWG. NO.	REV
A	06090	CHA-0049	A
DO NOT SCALE THIS DRAWING		SHEET 1 OF 1	