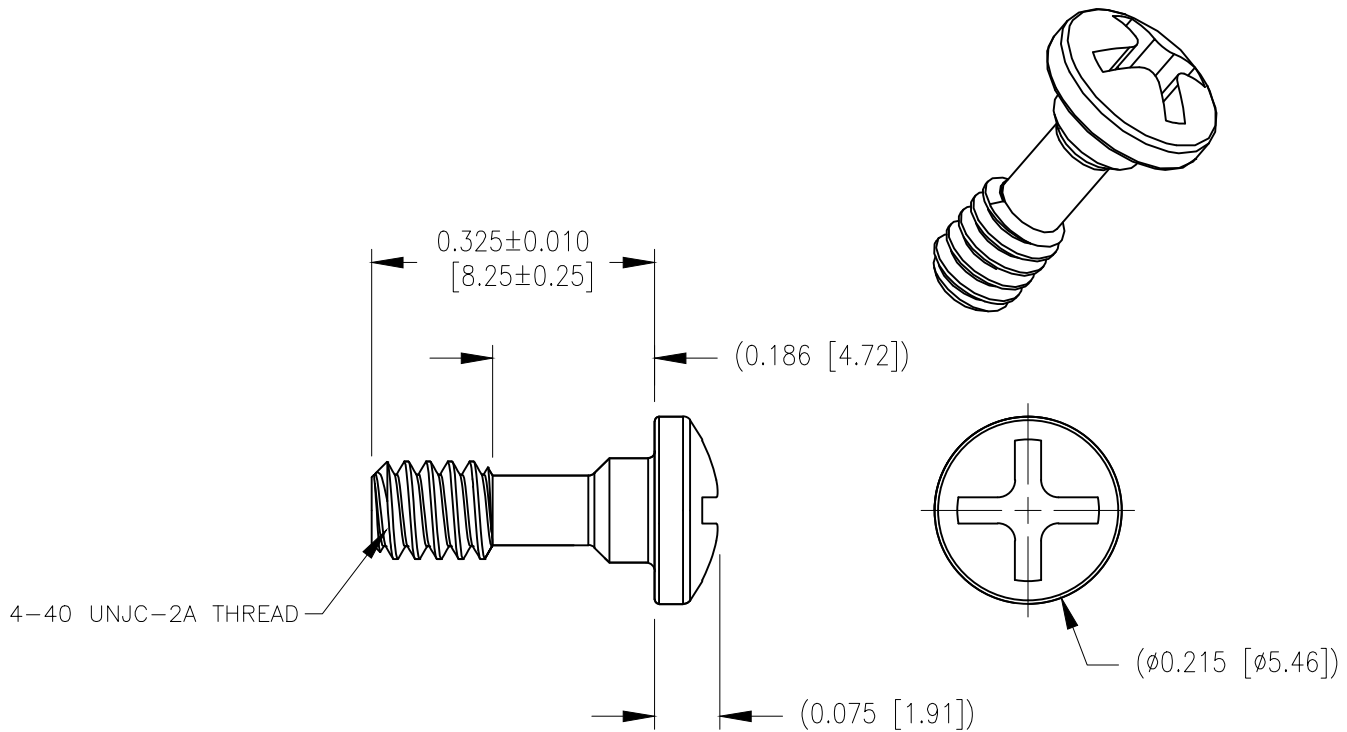


TYCO ELECTRONICS RESERVES THE RIGHT TO AMEND THIS DRAWING AT ANY TIME. USERS SHOULD EVALUATE THE SUITABILITY OF THE PRODUCT FOR THEIR APPLICATION.

REVISIONS			
LTR	DESCRIPTION	DATE	APPROVED
A1	INITIAL RELEASE PER DCR C050744	11/22/05	MHIGGY
D	REVISED PER ECO-18-008206	29MAY2018	AS



MATERIAL:

SCREWS: 4-40 PHILLIPS HEAD, STAINLESS STEEL 302, PASSIVATED, CAPTIVE, SELF-LOCKING. ALTERNATIVE MATERIAL A-286

© 2005 Tyco Electronics Corporation. All rights reserved.

SPECIFICATION CONTROL DRAWING

UNLESS OTHERWISE SPECIFIED DIMENSIONS ARE IN INCHES. METRIC DIMENSIONS ARE IN BRACKETS. DECIMALS .XXX ± _____ .XX ± _____ ANGLES _____ WEIGHT ---	DRAWN	MFORONDA	11/17/05		Tyco Electronics Corporation 300 Constitution Drive Menlo Park, CA. 94025 U.S.A.	<i>Raychem</i>	
	CHECKED						
	APPROVED	M.HIGGY	11/17/05	TITLE SCREW, PAN HEAD, MTC GROUNDING BLOCK FOR CHA-0305 THRU CHA-0308			
	APPROVED			CAD NAME: D050744.dwg			
THIRD ANGLE PROJECTION				SIZE A	CODE IDENT. NO. 06090	DWG. NO. CHA-0313	REV D
DO NOT SCALE THIS DRAWING				SHEET 1 OF 1			