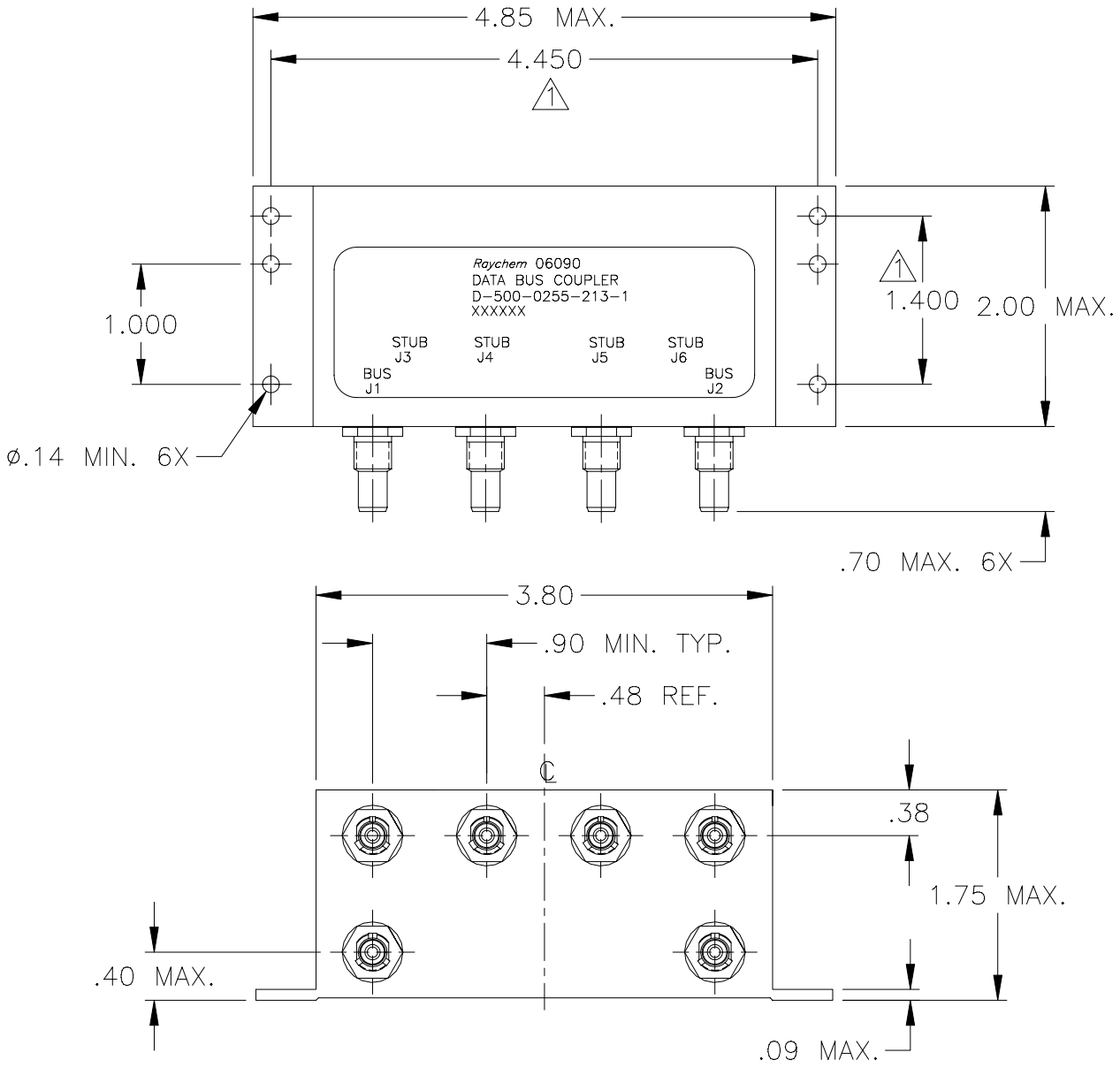


REVISIONS			
LTR	DESCRIPTION	DATE	APPROVED
N/C	RELEASED PER E.C.N. T-10855	88OCT06	Z. TEMAN
A	REVISED PER E.C.N. T-20082		

① HOLE PATTERN SYMETRIC TO MOUNTING FLANGE.



**If this document is printed it becomes uncontrolled.  
Check with the web for latest revision.**

## SPECIFICATION CONTROL DRAWING

UNLESS OTHERWISE SPECIFIED DIMENSIONS ARE IN INCHES. METRIC DIMENSIONS ARE IN BRACKETS.  DECIMALS .XXX ±.010 { mm } .XX ±.03 { mm } ANGLES .X ± WEIGHT lbs { g }	DRAWN	TERRY	88OCT06	<i>Raychem</i> RAYCHEM CORPORATION 300 CONSTITUTION DRIVE MENLO PARK, CALIFORNIA 94025			
	CHECKED						
	APPROVED	Z.E.T.	88OCT06	TITLE			
	APPROVED			DATA BUS COUPLER, 4 STUB WITH CORROSION RESISTANT TRIAxIAL THREADED CONNECTORS			
	CAD NAME	003450-1.DWG		SIZE	CODE IDENT. NO.	DWG. NO.	REV
	THIRD ANGLE PROJECTION			A	06090	D-500-0255-213-1	A
				SHEET 1 OF 2			

1.0 INTERMATEABILITY

1.1 POSITIONS J1 AND J2, D-621-0412 (WITH D-602-0126 CONTACT INSTALLED) WILL MATE WITH TRIAXIAL PLUG, D-621-0411 (WITH D-602-0127 CONTACT INSTALLED).

1.2 POSITIONS J3, J4, J5, AND J6, D-621-0412 (WITH D-602-0127 CONTACT INSTALLED) WILL MATE WITH TRIAXIAL PLUG, D-621-0411 (WITH D-602-0126 CONTACT INSTALLED).

2.0 PERFORMANCE

## 2.1 FUNCTIONAL REQUIREMENTS:

THIS COUPLER MEETS THE APPLICABLE FUNCTIONAL REQUIREMENTS OF RAYCHEM SPECIFICATION D-6020.

## 2.2 SERVICE CONDITIONS:

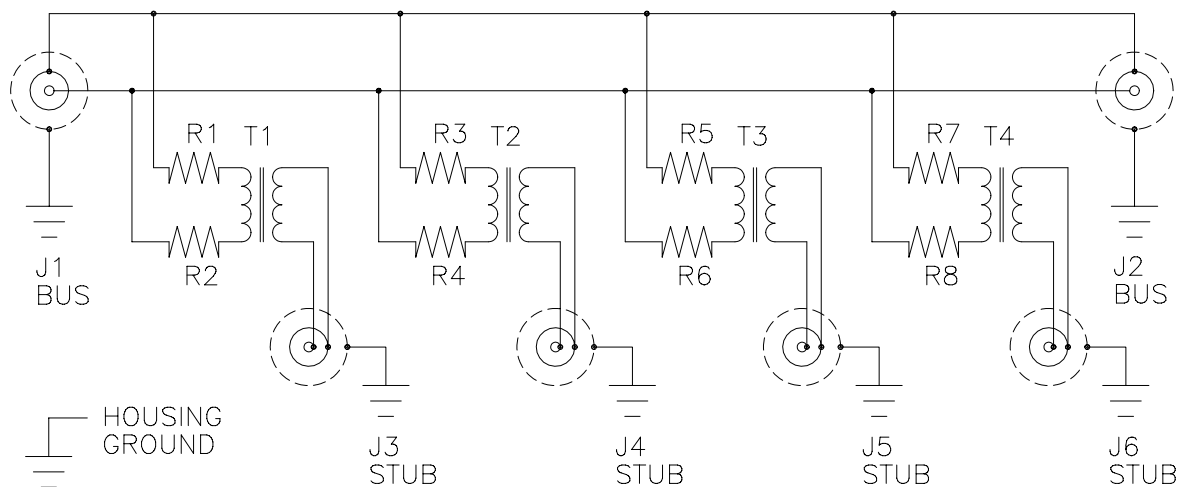
THE COUPLER SHALL OPERATE UNDER ANY OF THE ENVIRONMENTAL SERVICE CONDITIONS AS SPECIFIED IN MIL-E-5400, CLASS V UPGRADED TO 125°C CONTINUOUS OPERATION.

2.3 ALTITUDE: SEA LEVEL TO 50,000 FEET.

2.4 SALT SPRAY CORROSION RESISTANCE. 500 HOURS.

3.0 INSTALLATION

3.1 MOUNTING HOLES EITHER AT 1.000 OR 1.400 SPACING TO BE USED TO MOUNT BOX.

SCHEMATIC DIAGRAM

**If this document is printed it becomes uncontrolled.  
Check with the web for latest revision.**

CAD NAME 003450-2.DWG

DRAWN	TERRY	88OCT06	SIZE A	CODE IDENT. NO. 06090	DWG. NO. D-500-0255-213-1
ISSUED			DO NOT SCALE THIS DRAWING		SHEET 2 OF 2