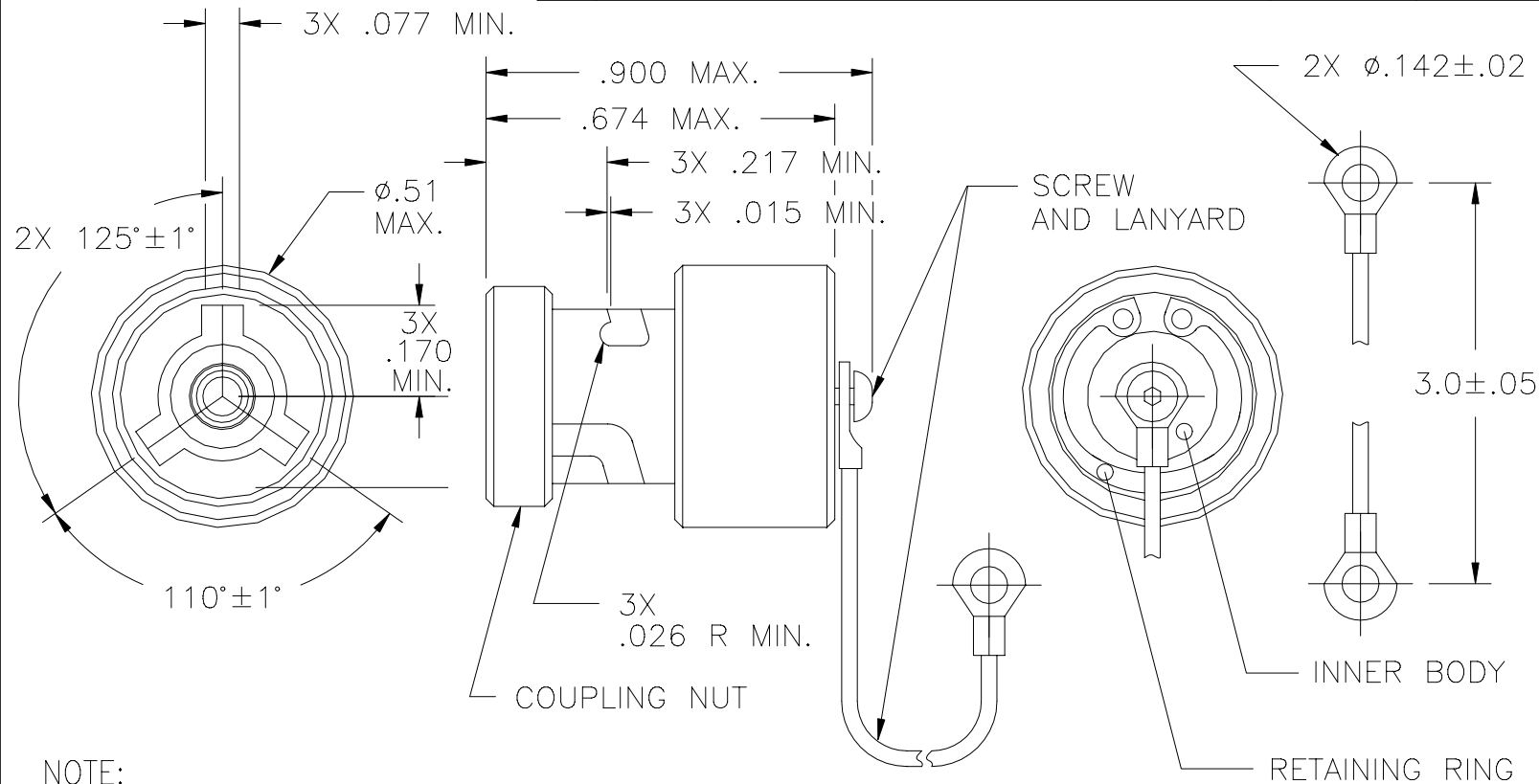


REVISIONS			
LTR	DESCRIPTION	DATE	APPROVED
N/C	INITIAL RELEASE PER ECN# T-18615	94FEB15	Z.E.T.
A	REVISED PER ECN# T-19998		



- NOTE:
THIS DUST CAP IS TO BE USED WITH INTERFACE "A", "B" AND "C" CONNECTORS ONLY.
- 1.0 MATERIALS AND FINISHES
 - 1.1 DUST CAP COUPLING NUT: BECU PER ASTM B196, TIN PLATED PER MIL-T-10727, OVER NICKEL PER MIL-C-26074
 - 1.2 INTERFACIAL SEAL (NOT SHOWN): SILICONE RUBBER
 - 1.3 INNER BODY: BRASS PER ASTM B16, TIN PLATED PER MIL-T-10727, OVER NICKEL PER MIL-C-26074
 - 1.4 SCREW AND LANYARD: STAINLESS STEEL, PASSIVATED PER QQ-P-35
 - 1.5 RETAINING RING: STAINLESS STEEL, TIN PLATED PER MIL-T-10727, OVER NICKEL PER MIL-C-26074

SPECIFICATION CONTROL DRAWING

If this document is printed it becomes uncontrolled.
Check with the web for latest revision.

UNLESS OTHERWISE SPECIFIED DIMENSIONS ARE IN INCHES. METRIC DIMENSIONS ARE IN BRACKETS.

DECIMALS
 .XXX ± — [— mm]
 .XX ± — [— mm]

ANGLES
 .X ± —

WEIGHT
 — lbs [— g]

DRAWN	J.B.K.	94 JAN 17
CHECKED	Z.E.T.	94 JAN 14
APPROVED	P.J.D.	94 JAN 14
APPROVED		
CAD NAME	009355-1.DWG	
THIRD ANGLE PROJECTION		

<i>Raychem</i>		RAYCHEM CORPORATION 300 CONSTITUTION DRIVE MENLO PARK, CALIFORNIA 94025	
TITLE DUST CAP, BAYONET, COUPLED, INTERFACE "A", "B" AND "C"			
SIZE	CODE IDENT. NO.	DWG. NO.	REV
A	06090	D-600-0068-3	A
DO NOT SCALE THIS DRAWING			SHEET 1 OF 1