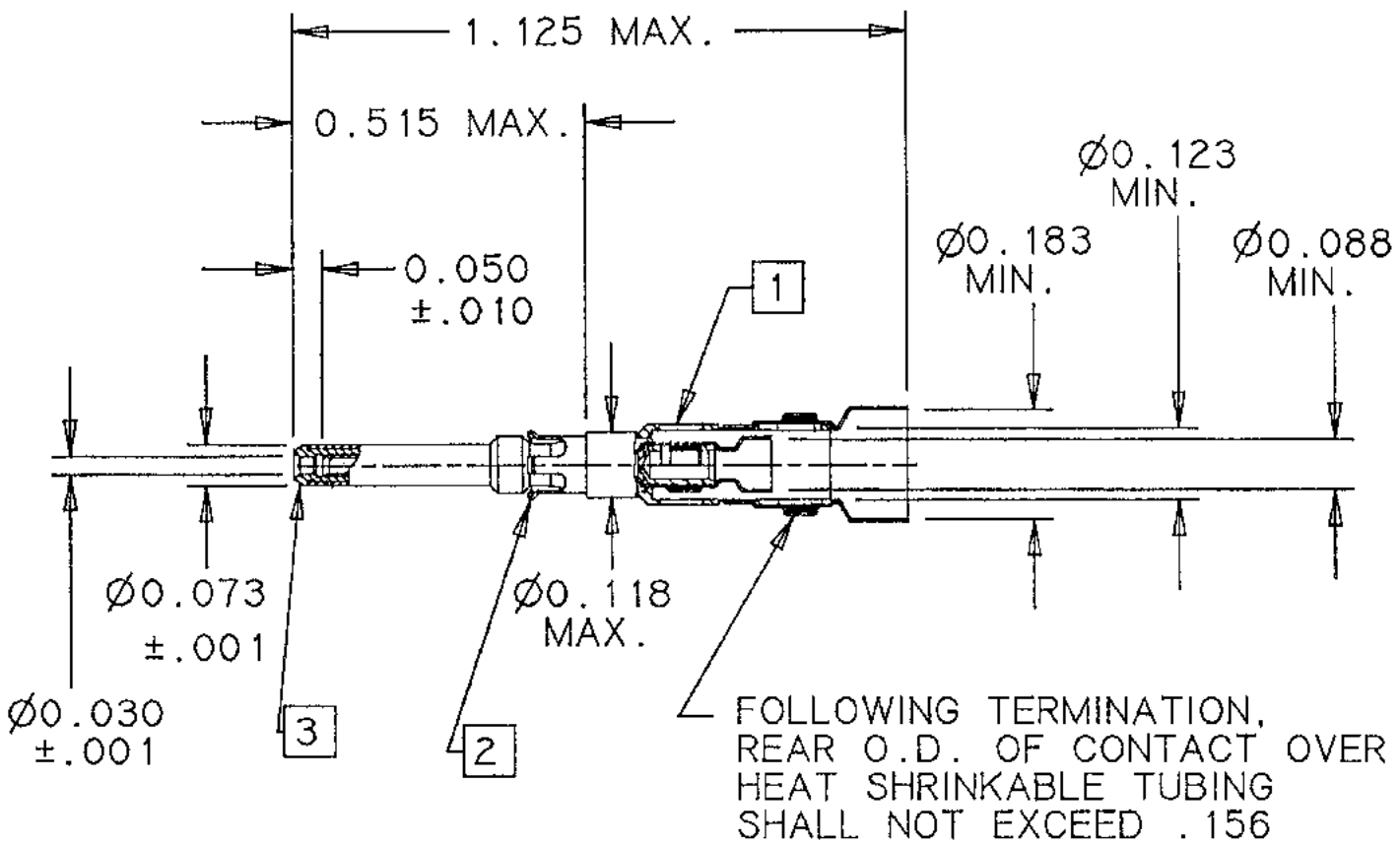




REVISIONS			
LTR	DESCRIPTION	DATE	APPROVED
N/C	RELEASED PER E.C.N. T-7223	12-2-86	I.M.
A	REVISED PER E.C.N. T-07809	3-5-87	I.M.
B	REVISED PER E.C.N. T-10150	88/6/22	M. H. H. H.
C	REVISED PER ECN# T-19089	94/4/19	M. H. H. H.



# SPECIFICATION CONTROL DRAWING

If this document is printed it becomes uncontrolled.  
Check for the latest revision.

UNLESS OTHERWISE SPECIFIED  
DIMENSIONS ARE IN INCHES.  
METRIC DIMENSIONS ARE  
IN BRACKETS.

DECIMALS  
.XXX ± .005 { mm }  
.XX ± .01 { mm }

ANGLES 1°  
.X ± —

WEIGHT  
TBD lbs { TBD g }

DRAWN	BCS	10-15-86
CHECKED		
APPROVED	I.M.	12-2-86
APPROVED		
CAD NAME	602152-1.PCX	
THIRD ANGLE PROJECTION		

Tyco Electronics Corporation 300 Constitutional Drive Menlo Park, CA 94025 USA			
TITLE			
SHIELDED CONTACT, PIN COAXIAL CABLE			
SIZE	CODE IDENT. NO.	DWG. NO.	REV
A	06090	D-602-0152	C
DO NOT SCALE THIS DRAWING			SHEET 1 OF 3



NOTES: UNLESS OTHERWISE SPECIFIED

1. THIS CONTACT IS DESIGNED TO BE USED WITH D-602-1117 TRIAXIAL CONTACT.
2. THIS CONTACT IS DESIGNED TO TERMINATE TO RAYCHEM CABLE 5022E5111 AND 9530D5317. OTHER APPLICATIONS SHOULD BE SUBMITTED TO RAYCHEM FOR EVALUATION.
3. FOR TERMINATION PROCEDURE: SEE ES 61406.
4. MATING CONTACT (FOR SIMILAR CABLE) D-602-0153.

CONTACT CHARACTERISTICS:

A. MATERIAL AND FINISH:

- 1 COPPER ALLOY PER ASTM-B196 & ASTM B16  
GOLD PLATED PER MIL-G-45204B OVER NICKEL PER QQ-N-290A OVER COPPER FLASH.
- 2 BERYLLIUM COPPER ALLOY 173 PER ASTM-B194.  
NICKEL PLATED PER QQ-N-290A OVER COPPER FLASH
- 3 DIELECTRIC: FLUOROPOLYMER.
4. SOLDER: SN63 PER QQ-S-571.
5. CABLE SUPPORT TUBING: POLYVINYLIDENE FLUORIDE.

B. PERFORMANCE CHARACTERISTICS:

(DESIGNED TO MEET THE FOLLOWING CRITERIA, QUALIFICATION PENDING)

TEMPERATURE RATING: 125° C MAXIMUM

CURRENT RATING: 3 AMPS

VOLTAGE RATING: DIELECTRIC WITHSTAND VOLTAGE, 900 VOLTS RMS, MAXIMUM.

CONTACT RESISTANCE: 10 MILLIOHMS MAXIMUM (INNER)  
8 MILLIOHMS MAXIMUM (OUTER)

If this document is printed it becomes uncontrolled.  
Check for the latest revision.

CAD NAME		602152-2.PCX		SIZE	CODE IDENT. NO.	DWG. NO.	REV
DRAWN	BCS	10-18-88	A	06090	D-602-0152		C
ISSUED			SCALE: NONE	DO NOT SCALE THIS DRAWING		SHEET 2 OF 3	

INSULATION RESISTANCE: 5,000 MEGOHMS MINIMUM

SOCKET ENGAGEMENT AND SEPARATION FORCE:

	ENGAGE (MAX)	SEPARATE (MIN)
INNER SOCKET	6 OZ.	0.5 OZ.

CAD NAME		
602152-3.PCX		
DRAWN	BCS	10-18-86
ISSUED		

If this document is printed it becomes uncontrolled.  
Check for the latest revision.

SIZE	CODE IDENT. NO.	DWG. NO.	REV
A	06090	D-602-0152	C
SCALE: NONE	DO NOT SCALE THIS DRAWING	SHEET 3 OF 3	