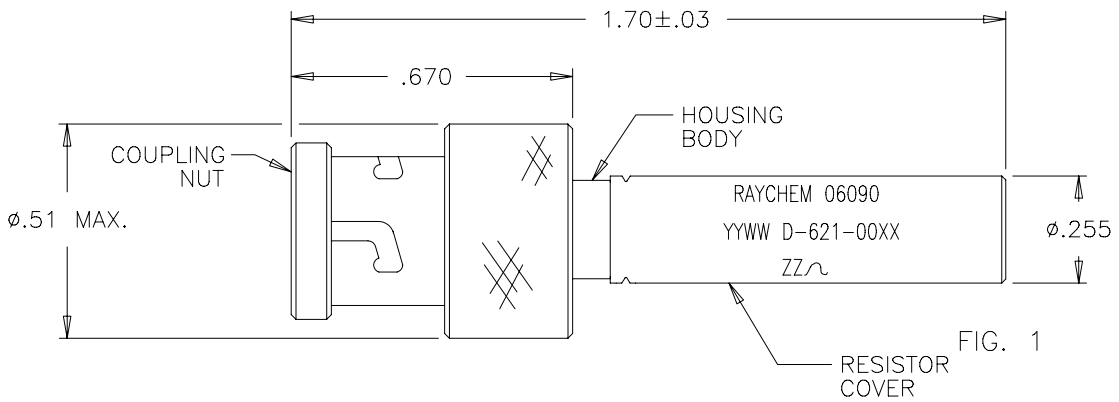


REVISIONS			
LTR	DESCRIPTION	DATE	APPROVED
E	REVISED PER ECN# T-12846 (DWG. WAS: D-621-0053/0084)	89 SEPT 1	Z. TEMAN
F	REVISED PER ECN T-14105 (LANYARD WAS 6in)	90 MAR 30	Z. TEMAN
G	REVISED PER ECN# T-15816	91 MAR 4	Z. TEMAN
H	REVISED PER ECN# T-21434	5/13/97	Z. TEMAN

\* (-L) ADDED TO D-621-00XX NUMBER INDICATES LANYARD.  
SEE SHEETS 3 AND 4.



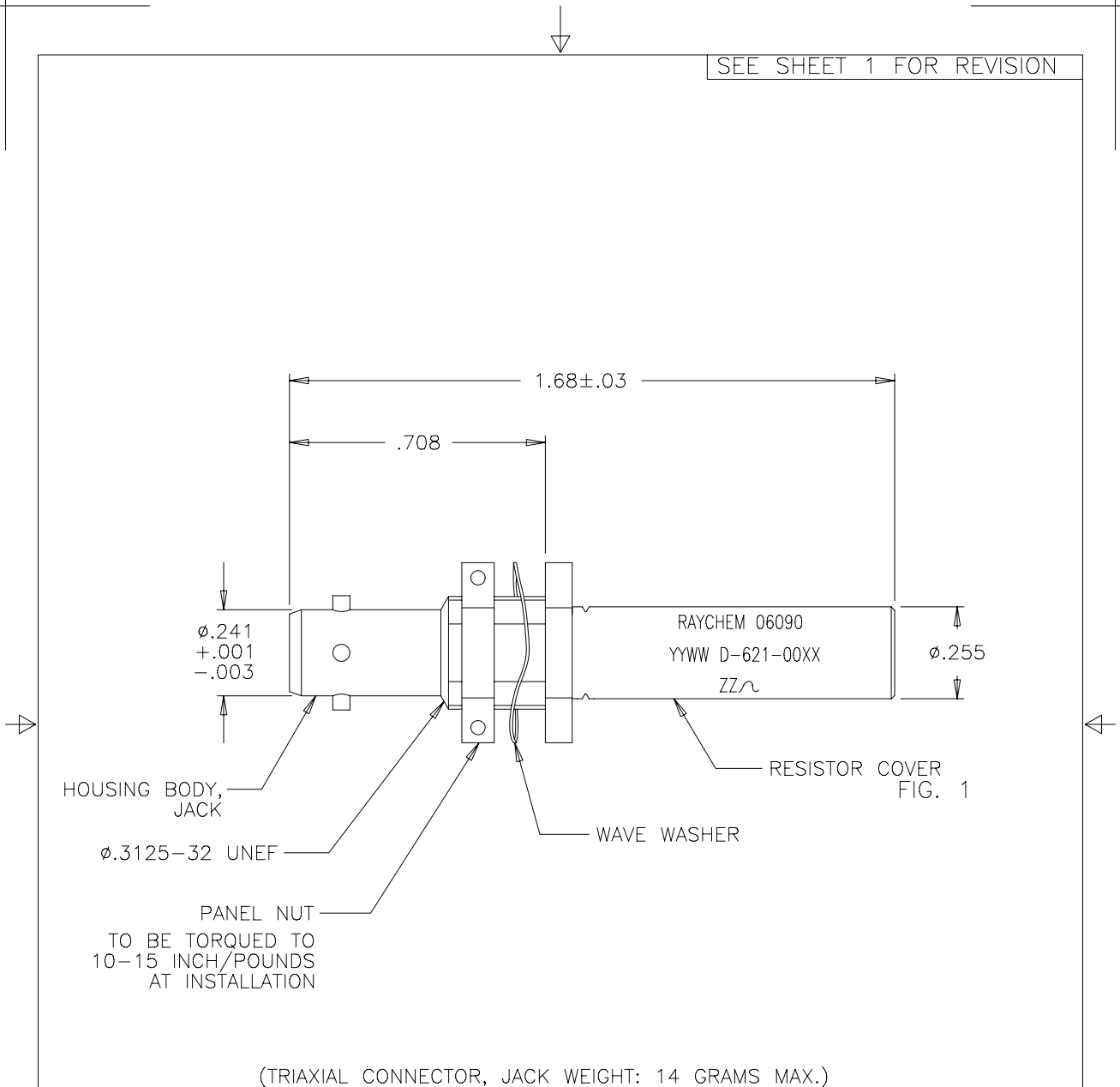
(TRIAxIAL CONNECTOR, PLUG WEIGHT: 16 GRAMS MAX.)

**If this document is printed it becomes uncontrolled.  
Check with the web for latest revision.**

### SPECIFICATION CONTROL DRAWING

UNLESS OTHERWISE SPECIFIED DIMENSIONS ARE IN INCHES. METRIC DIMENSIONS ARE IN BRACKETS.  DECIMALS .XXX ± .005 { — mm } .XX ± .01 { — mm } ANGLES .X ± 1°  WEIGHT — lbs { — g MAX. }	DRAWN	J.B.K.	89 AUG 25	<i>Raychem</i> RAYCHEM CORPORATION 300 CONSTITUTION DRIVE MENLO PARK, CALIFORNIA 94025			
	CHECKED						
	APPROVED	Z.T.	89 SEP 01	TITLE CONNECTOR, TRIAXIAL, BAYONET COUPLER, RESISTOR TERMINATOR			
	APPROVED						
	CAD NAME			SIZE	CODE IDENT. NO.	DWG. NO.	* REV
	T21434a			A	06090	D-621-0053/0084(-L)	H
	THIRD ANGLE PROJECTION				DO NOT SCALE THIS DRAWING		SHEET 1 OF 7

SEE SHEET 1 FOR REVISION



HOUSING BODY,  
JACK

0.3125-32 UNEF

PANEL NUT

TO BE TORQUED TO  
10-15 INCH/POUNDS  
AT INSTALLATION

RAYCHEM 06090  
YYWW D-621-00XX  
ZZ

0.255

RESISTOR COVER  
FIG. 1

WAVE WASHER

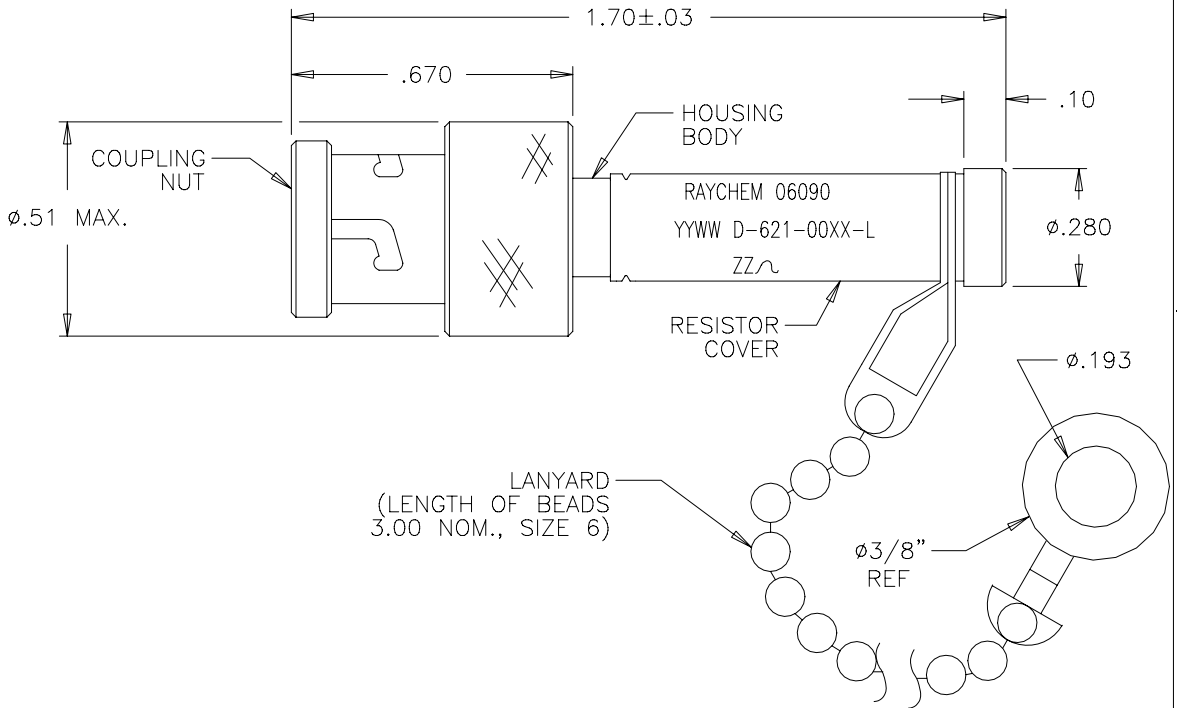
(TRIAxIAL CONNECTOR, JACK WEIGHT: 14 GRAMS MAX.)

**If this document is printed it becomes uncontrolled.  
Check with the web for latest revision.**

CAD NAME: T21434b

DRAWN	J.B.K.	89 AUG 25	SIZE A	CODE IDENT. NO. 06090	DWG. NO. D-621-0053/0084(-L)	REV H
ISSUED			DO NOT SCALE THIS DRAWING		SHEET 2 OF 7	

SEE SHEET 1 FOR REVISION



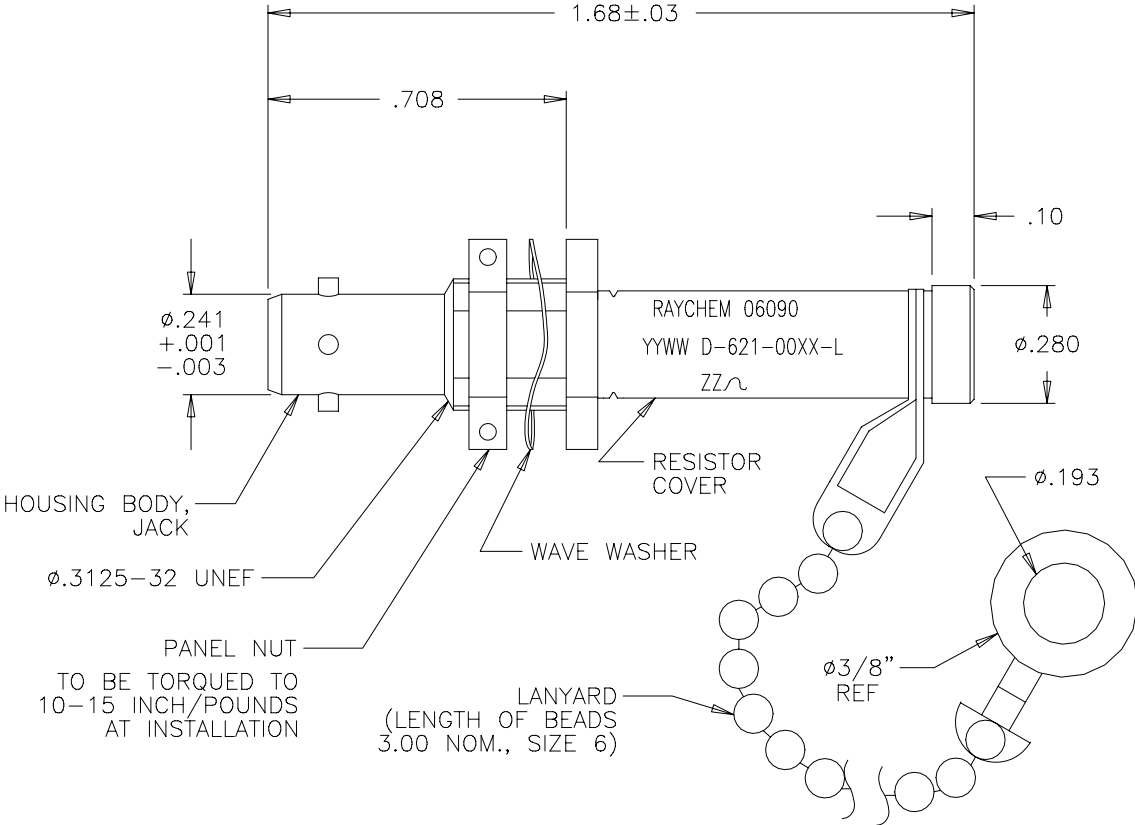
(TRIAxIAL CONNECTOR, WITH LANYARD, PLUG WEIGHT: 21 GRAMS MAX.)

**If this document is printed it becomes uncontrolled.  
Check with the web for latest revision.**

CAD NAME: T21434c

DRAWN	J.B.K.	89 AUG 25	SIZE	CODE IDENT. NO.	DWG. NO.	REV
ISSUED			A	06090	D-621-0053/0084(-L)	H
DO NOT SCALE THIS DRAWING					SHEET 3 OF 7	

SEE SHEET 1 FOR REVISION



TRIAxIAL CONNECTOR, WITH LANYARD, JACK WEIGHT: 19 GRAMS MAX.)

**If this document is printed it becomes uncontrolled.  
Check with the web for latest revision.**

CAD NAME: T21434d

DRAWN	J.B.K.	89 AUG 25	SIZE	CODE IDENT. NO.	DWG. NO.	REV
ISSUED			A	06090	D-621-0053/0084(-L)	H
DO NOT SCALE THIS DRAWING					SHEET 4 OF 7	

SEE SHEET 1 FOR REVISION

1.0 MATERIALS AND FINISHES

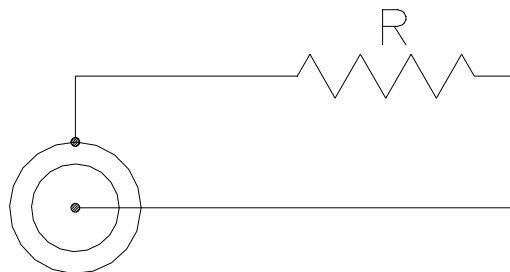
- 1.1 HOUSING BODY: BECU PER ASTM B 196, TIN PLATED PER MIL-T-10727, OVER NICKEL PER ASTM B 656.
- 1.1.1 INSULATION: POLYETHERSULFONE
- 1.2 COUPLING NUT: (PLUG) BECU PER ASTM B 196 NICKEL PLATED PER QQ-N-290
- 1.2.1 INTERFACIAL SEAL: SILICONE RUBBER
- 1.3 PANEL NUT: (JACK) COPPER ALLOY PER QQ-B-626, NICKEL PLATED PER QQ-N-290
- 1.4 WAVE WASHER: (JACK) BECU PER QQ-C-533, NICKEL PLATED PER QQ-N-290
- 1.5 RESISTOR COVER: 300 SERIES STAINLESS STEEL, PASSIVATED PER ASTM A582
- 1.6 LANYARD: CORROSION RESISTANT STEEL, PASSIVATED PER NAS1206

2.0 PERFORMANCE CAPABILITIES

2.1 REFER TO RAYCHEM SPECIFICATION D-6025 (SUPERSEDES D-6050) AND D-6020 FOR PERFORMANCE AND QUALIFICATION REQUIREMENTS.

2.2 GENERAL CHARACTERISTICS.

- 2.2.1 OPERATING TEMPERATURE: -65°C TO 125°C
- 2.2.2 INSULATION RESISTANCE: GREATER THEN 5K MEG \*
- 2.2.3 DIELECTRIC STRENGTH: 900 VAC AT 60 Hz \*
- 2.2.4 POWER RATING: 1 WATT MAX.
- 2.2.5 TERMINATOR RESISTANCE: SEE RESISTANCE VALUES, SHEET 7 OF 7
- 2.2.6 SALT SPRAY CORROSION RESISTANCE: 48 HOURS



\* BETWEEN INNER COAXIAL CONTACT AND OUTER HOUSING

R = SEE SHEET 7 OF 7 FOR RESISTANCE VALUE ±2%

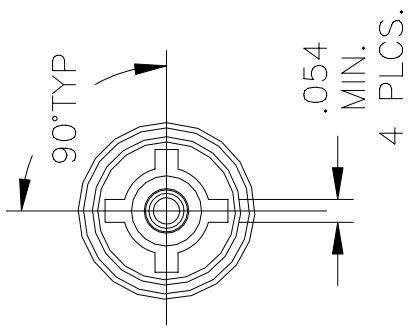
**If this document is printed it becomes uncontrolled.  
Check with the web for latest revision.**

CAD NAME: T21434e

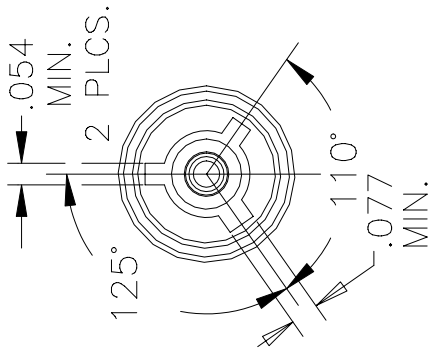
DRAWN	J.B.K.	89 AUG 25	SIZE	CODE IDENT. NO.	DWG. NO.	REV
ISSUED			A	06090	D-621-0053/0084(-L)	H
DO NOT SCALE THIS DRAWING					SHEET 5 OF 7	

SEE SHEET 1 FOR REVISION

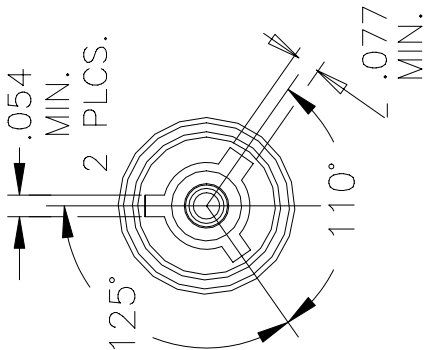
INTERFACE  
"D"  
PLUG



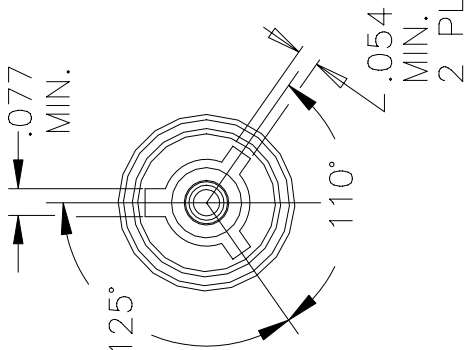
INTERFACE  
"C"  
PLUG



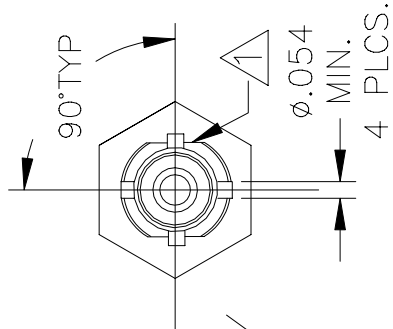
INTERFACE  
"B"  
PLUG



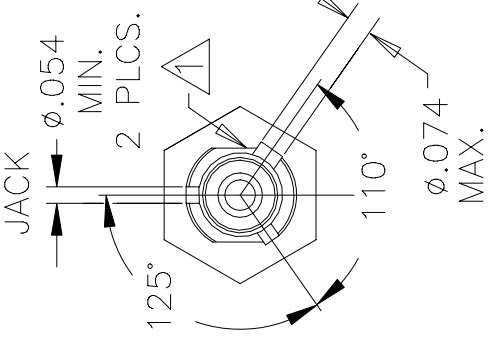
INTERFACE  
"A"  
PLUG



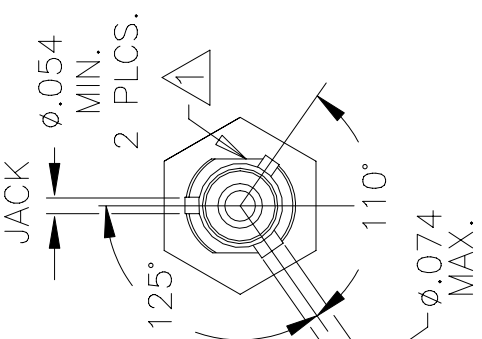
JACK



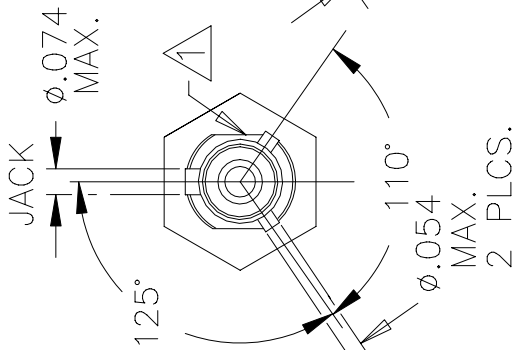
JACK



JACK



JACK



NOTES:

▲ MAJOR KEY ORIENTATION WITH RESPECT TO FLATS IS NOT CONTROLLED.

**If this document is printed it becomes uncontrolled.  
Check with the web for latest revision.**

CAD NAME T21434f

DRAWN	J.B.K.	89 JULY 21
ISSUED		

SIZE	CODE IDENT. NO.	DWG. NO.	REV
A	06090	D-621-0053/0084[-L]	H

DO NOT SCALE THIS DRAWING

SHEET 6 OF 7

NOTES:

SEE SHEET 1 FOR REVISION

△ SUFFIX -L INDICATES PARTS WITH LANYARD, SEE SHEETS 3 AND 4.

DRAWING NO. △	DESCRIPTION			RESISTANCE VALUE ±2%
	CONNECTOR	INTERFACE	INSTALLED CONTACT	
D-621-0053(-L)	PLUG	"A"	PIN	78 OHMS
D-621-0054(-L)	PLUG	"B"	PIN	78 OHMS
D-621-0055(-L)	PLUG	"C"	PIN	78 OHMS
D-621-0056(-L)	PLUG	"D"	PIN	78 OHMS
D-621-0057(-L)	PLUG	"A"	PIN	3000 OHMS
D-621-0058(-L)	PLUG	"B"	PIN	3000 OHMS
D-621-0059(-L)	PLUG	"C"	PIN	3000 OHMS
D-621-0060(-L)	PLUG	"D"	SOCKET	3000 OHMS
D-621-0061(-L)	JACK	"A"	SOCKET	78 OHMS
D-621-0062(-L)	JACK	"B"	SOCKET	78 OHMS
D-621-0063(-L)	JACK	"C"	SOCKET	78 OHMS
D-621-0064(-L)	JACK	"D"	SOCKET	78 OHMS
D-621-0065(-L)	JACK	"A"	SOCKET	3000 OHMS
D-621-0066(-L)	JACK	"B"	SOCKET	3000 OHMS
D-621-0067(-L)	JACK	"C"	SOCKET	3000 OHMS
D-621-0068(_L)	JACK	"D"	SOCKET	3000 OHMS
D-621-0069(-L)	PLUG	"A"	SOCKET	78 OHMS
D-621-0070(-L)	PLUG	"B"	SOCKET	78 OHMS
D-621-0071(-L)	PLUG	"C"	SOCKET	78 OHMS
D-621-0072(-L)	PLUG	"D"	SOCKET	78 OHMS
D-621-0073(-L)	PLUG	"A"	SOCKET	3000 OHMS
D-621-0074(-L)	PLUG	"B"	SOCKET	3000 OHMS
D-621-0075(-L)	PLUG	"C"	SOCKET	3000 OHMS
D-621-0076(-L)	PLUG	"D"	PIN	3000 OHMS
D-621-0077(-L)	JACK	"A"	PIN	78 OHMS
D-621-0078(-L)	JACK	"B"	PIN	78 OHMS
D-621-0079(-L)	JACK	"C"	PIN	78 OHMS
D-621-0080(-L)	JACK	"D"	PIN	78 OHMS
D-621-0081(-L)	JACK	"A"	PIN	3000 OHMS
D-621-0082(-L)	JACK	"B"	PIN	3000 OHMS
D-621-0083(-L)	JACK	"C"	PIN	3000 OHMS
D-621-0084(-L)	JACK	"D"	PIN	3000 OHMS

If this document is printed it becomes uncontrolled.  
Check with the web for latest revision.

CAD NAME: T21434g

DRAWN	J.B.K.	89 AUG 25	SIZE	CODE IDENT. NO.	DWG. NO.	REV
ISSUED			A	06090	D-621-0053/0084(-L)	H
DO NOT SCALE THIS DRAWING					SHEET 7 OF 7	