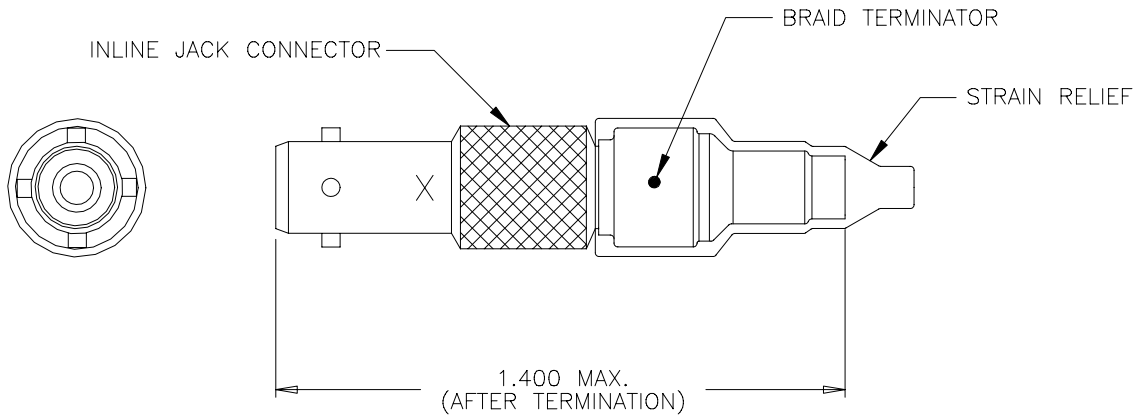


REVISIONS			
LTR	DESCRIPTION	DATE	APPROVED
A	COMPILED AND REDRAWN ON CAD PER ECN# T-15352	90 DEC 3	ZET



TABULATION			
JACK CONNECTOR KIT ASS'Y	PCN	CONTACT	X INTERFACE
DK-621-0087	518361	-----	A
DK-621-0087-1P	037359	PIN	A
DK-621-0087-1S	929221	SOCKET	A
DK-621-0088	549369	-----	B
DK-621-0088-2P	007943	PIN	B
DK-621-0088-2S	175929	SOCKET	B
DK-621-0089	622271	-----	C
DK-621-0089-3P	390875	PIN	C
DK-621-0089-3S	736953	SOCKET	C
DK-621-0090	144297	-----	D
DK-621-0090-4P	391661	PIN	D
DK-621-0090-4S	515159	SOCKET	D

If this document is printed it becomes uncontrolled.
Check with the web for latest revision.

SPECIFICATION CONTROL DRAWING

© Raychem Corporation 1990

UNLESS OTHERWISE SPECIFIED DIMENSIONS ARE IN INCHES. METRIC DIMENSIONS ARE IN BRACKETS. DECIMALS .XXX ± — [— mm] .XX ± — [— mm] ANGLES .X ± — WEIGHT — lbs [— g]	DRAWN	J.B.K.	90 NOV 27		RAYCHEM CORPORATION 300 CONSTITUTION DRIVE MENLO PARK, CALIFORNIA 94025			
	CHECKED				TITLE	KITS FOR D-621-0087/0090 TRIAXIAL CONNECTORS		
	APPROVED							
	APPROVED	ZET		90 DEC 3	SIZE	CODE IDENT. NO.	DWG. NO.	REV
CAD NAME 5000-1				A	06090	DK-621-0087/0090(-XX)	A	
THIRD ANGLE PROJECTION				DO NOT SCALE THIS DRAWING				SHEET 1 OF 2

1.0 REFER TO THE FOLLOWING RAYCHEM SPECIFICATION CONTROL DRAWINGS (SCD) FOR INDIVIDUAL COMPONENT DETAILS:

D-621-0087/0090	CONNECTOR, TRIAXIAL, SUBMINIATURE, BAYONET, COUPLED	
D-602-0126	CONTACT, PIN, TWISTED PAIR	NOT SHOWN
D-602-0127	CONTACT, SOCKET, TWISTED PAIR	NOT SHOWN
D-600-0030	BRAID TERMINATOR	
D-600-0019	STRAIN RELIEF	

2.0 CONNECTORS ARE QUALIFIED TO RAYCHEM SPECIFICATION D-6025.

3.0 TERMINATION PROCEDURE: RAYCHEM ES61162 (SUPERSEDES ES61222)

**If this document is printed it becomes uncontrolled.
Check with the web for latest revision.**

CAD NAME: 5000-2

DRAWN	J.B.K.	90 NOV 27	SIZE A	CODE IDENT. NO. 06090	DWG. NO. DK-621-0087/0090(-XX)	REV A
ISSUED			DO NOT SCALE THIS DRAWING		SHEET 2 OF 2	