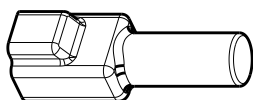
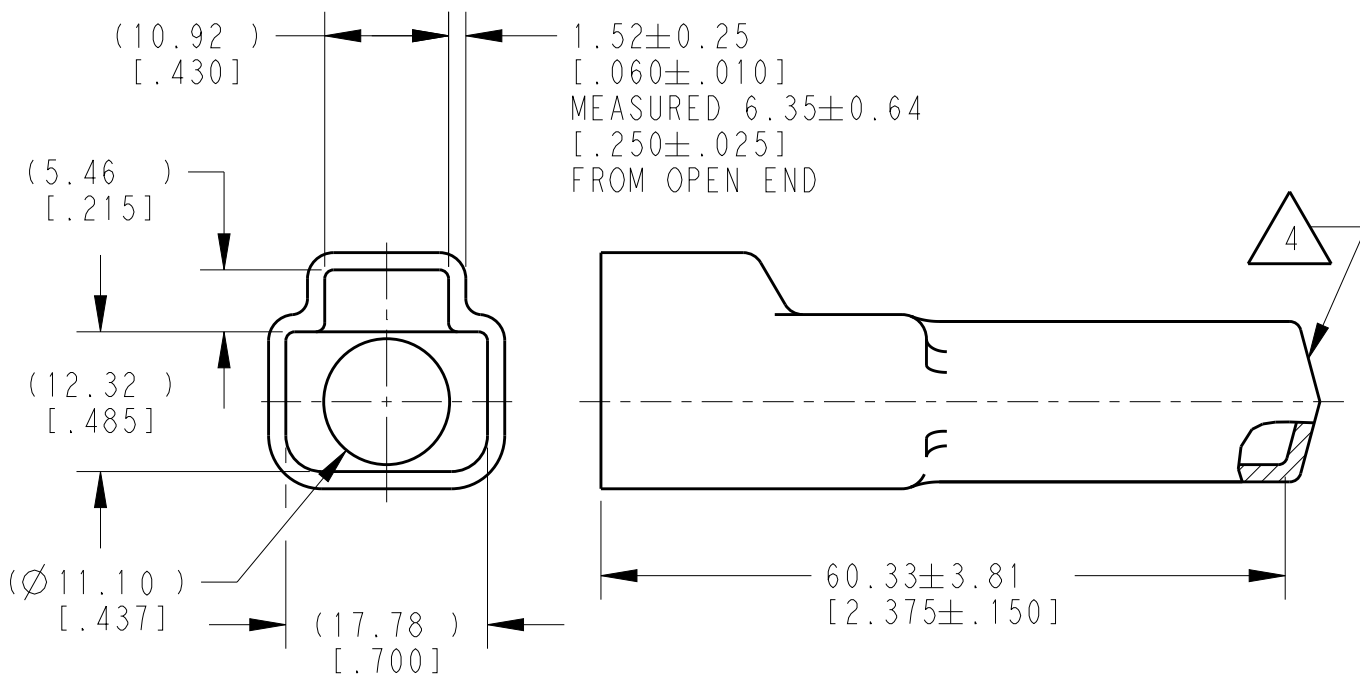


REVISIONS

P	LTR	DESCRIPTION	DATE	DWN	APVD
	A	NEW RELEASE PER ECO-14-008761	10JUN2014	DM	DM
	A1	REVISED PER PCN E-19-014642	16OCT2019	JA	IG



SCALE 1:2



- 4 SMALL MATERIAL EXTENSION IS ACCEPTABLE ON THIS END ALL AROUND.
3. THIS ACCESSORY PART IS PROVIDED WITHOUT TYPICAL TRANSPORTATION INDUSTRY PROCESS CONTROLS. NO VALIDATION TESTING HAS BEEN PERFORMED. CUSTOMER IS RESPONSIBLE FOR DETERMINING PRODUCT PERFORMANCE AND SUITABILITY FOR APPLICATION.
2. TEMPERATURE RATING: -29°C TO +100°C [-20°F TO +212°F].
1. THIS PART IS USED ON DT06-4S PLUG WITH ANY MODIFICATION THAT DOES NOT INCLUDE AN END CAP.

NOTES:

TE INTERNAL PN	DEUTSCH PN
DT4S-BT-BK	DT4S-BT-BK

THIS DRAWING IS UNPUBLISHED. ALL RIGHTS RESERVED. BY TE CONNECTIVITY. COPYRIGHT 2014

DIMENSIONS: MM [INCH]	DWN D. MEYER	10JUN2014	MATERIAL PVC	FINISH BLACK		
	CHK R. MESSENGER	10JUN2014	TE Connectivity			
TOLERANCES UNLESS OTHERWISE SPECIFIED: 0 PLC ± 1 PLC ± 2 PLC ±0.63 [.025] 3 PLC ± 4 PLC ± ANGLES ±5°	APVD D. MEYER	10JUN2014			NAME BOOT, PLUG 4 PIN DT SERIES	
	PRODUCT SPEC	APPLICATION SPEC	SIZE A4	CAGE CODE 4AFU8	DRAWING NO C-DT4S-BT-BK	RESTRICTED TO -
	WEIGHT 5.22g	CUSTOMER DRAWING		SCALE 3:2	SHEET 1 OF 1	REV A1