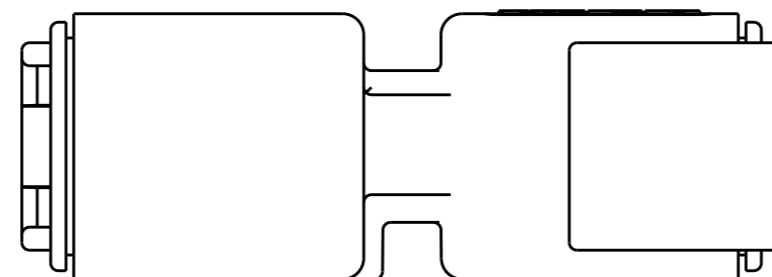
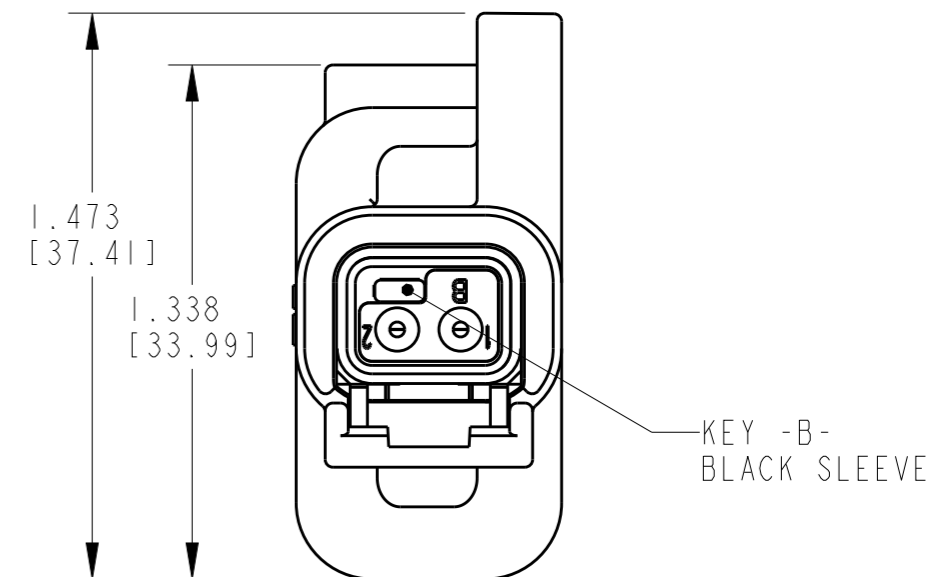
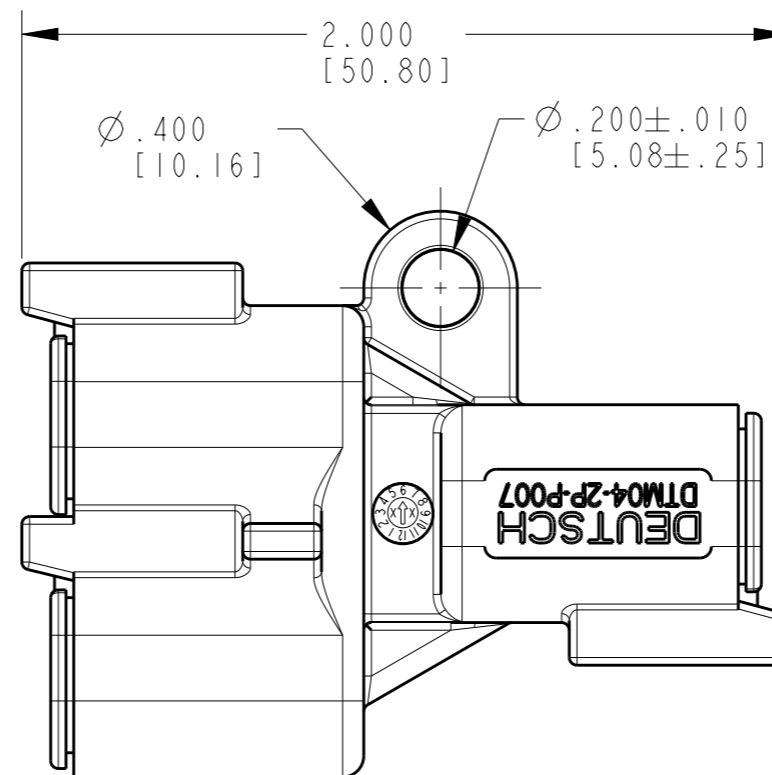
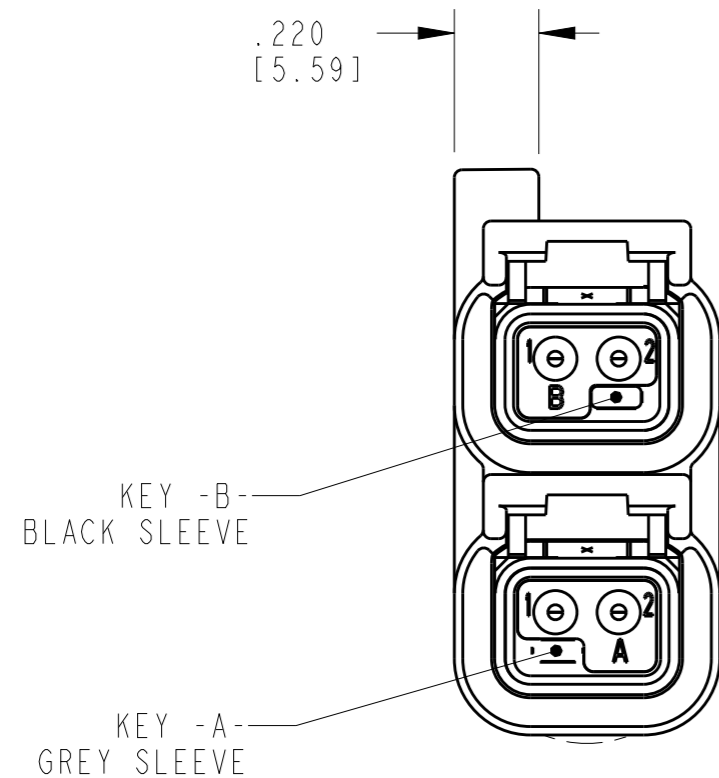


P	LTR	DESCRIPTION	DATE	DWN	APVD
NC		NEW RELEASE PER E.O. PI5971	25MAR1999	-	CW
A		REVISED PER E.O.PI6386	15NOV1999	-	CW
B		REVISED PER E.O PI6907	18OCT2000	-	RDR
BI		REVISED PER PCN E-19-019747	13DEC2019	MK	DM



5. CONTACT FACTORY FOR SAE J1939-15 CONNECTOR USAGE.
4. THIS RECEPTACLE MATES WITH DTM06-2S-XXXX PLUG. (XXXX = ALL MODIFICATIONS)
3. HOUSING MATERIAL: PA66 GF15; COLOR:BLACK; PINS: COPPER ALLOY GOLD PLATED; SEAL: SILICONE (RED-ORANGE)
2. DIMENSIONS TOLERANCE: ±.025 [±.64].
1. ALL DIMENSIONS ARE IN INCHES [mm]

NOTES: UNLESS OTHERWISE SPECIFIED

THIS DRAWING IS A CONTROLLED DOCUMENT.		DWN J. APOSTOL 02NOV1999			
DIMENSIONS: INCHES [mm]		CHK A. ROLINSKI 16OCT2000			
		TOLERANCES UNLESS OTHERWISE SPECIFIED:		NAME RECEPTACLE 2 PIN, Y- SPLITTER P007 MOD DTM SERIES	
		0 PLC ± 1 PLC ± 2 PLC ± 3 PLC ± 4 PLC ± ANGLES ±1°0'0"		APVD R. REED 18OCT2000	
MATERIAL		FINISH		PRODUCT SPEC -	
				APPLICATION SPEC -	
				WEIGHT	
				SIZE A3	
				CAGE CODE 111139	
				DRAWING NO. DTM04-2P-P007	
				RESTRICTED TO -	
				CUSTOMER DRAWING	
				SCALE 2:1	
				SHEET 1 OF 1	
				REV BI	