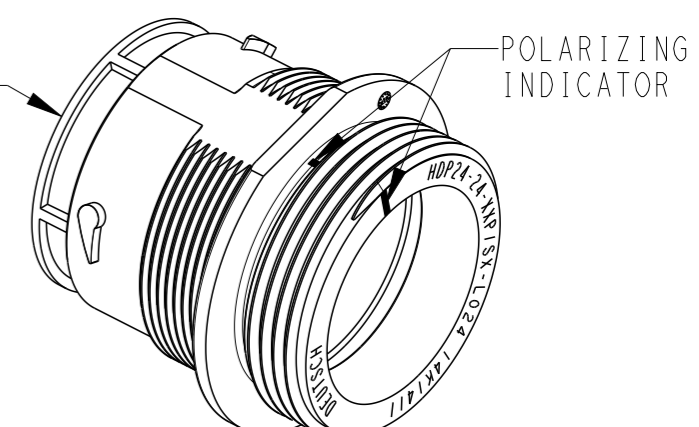
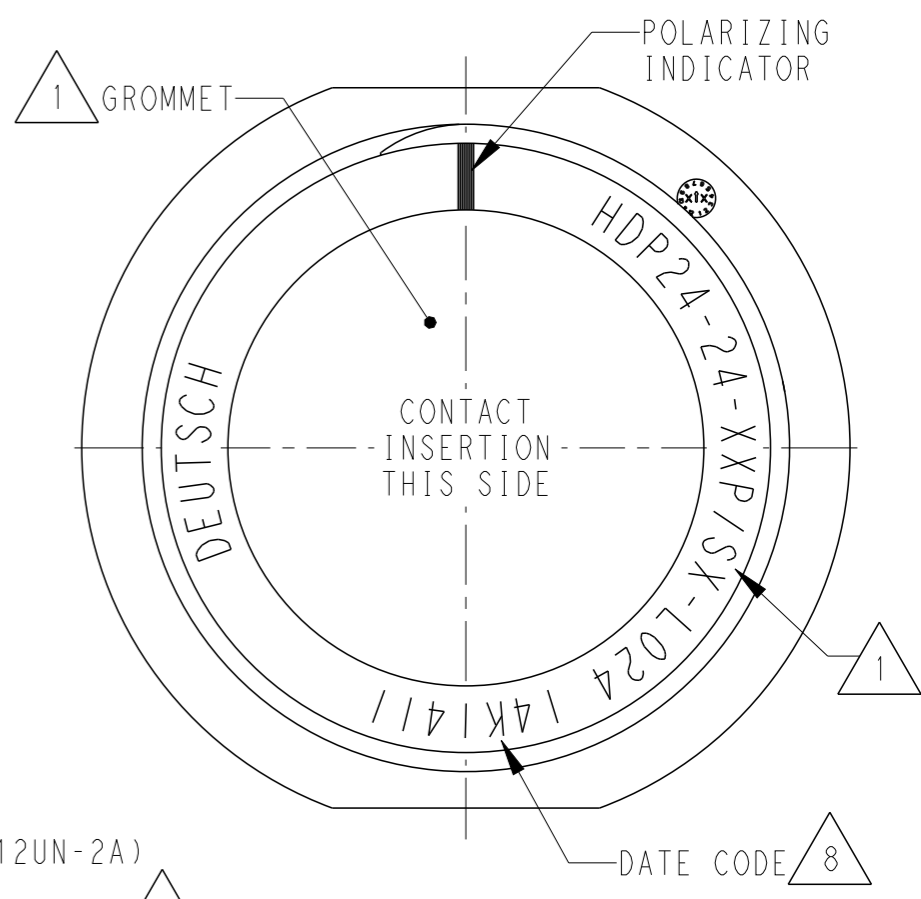
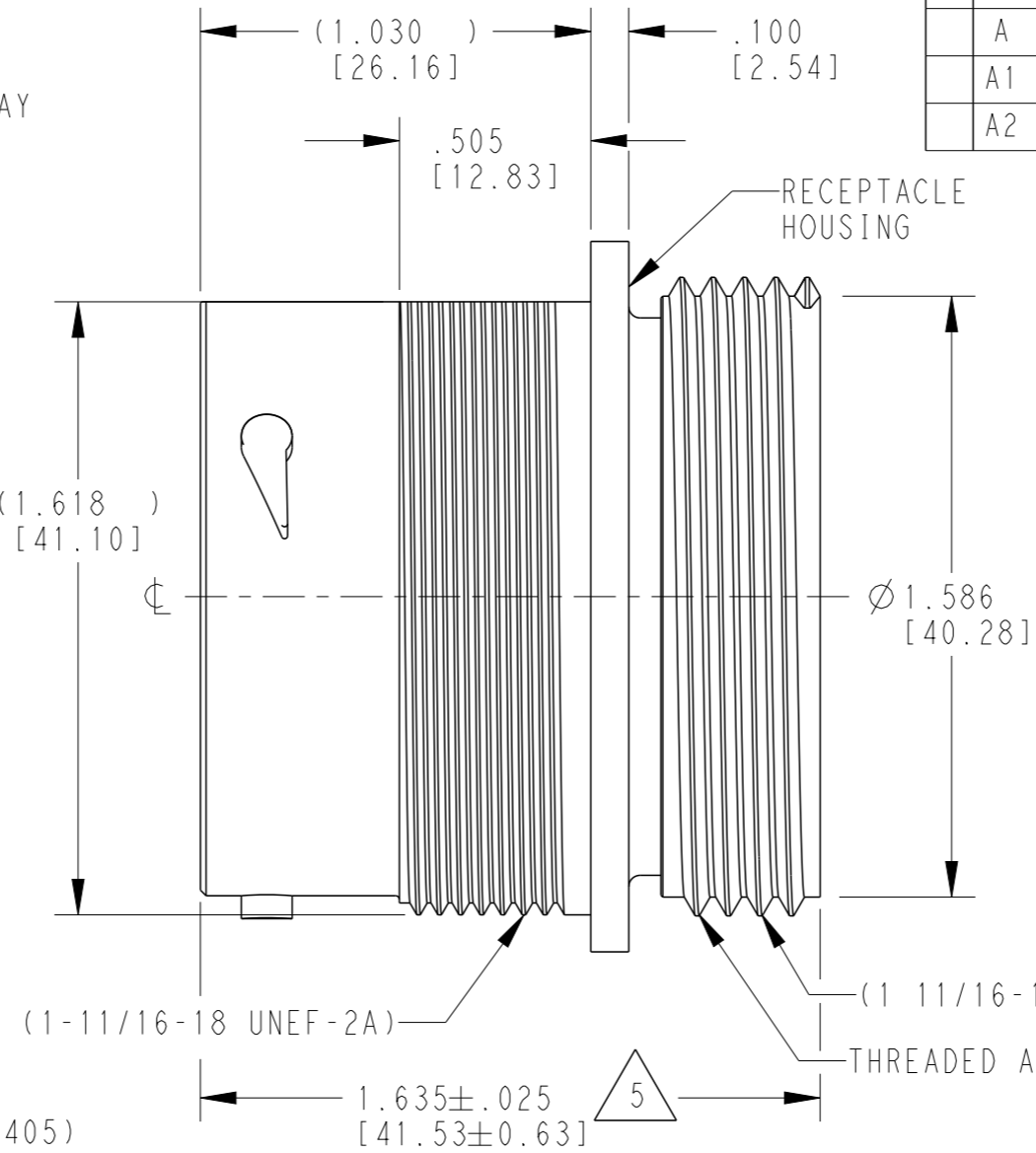
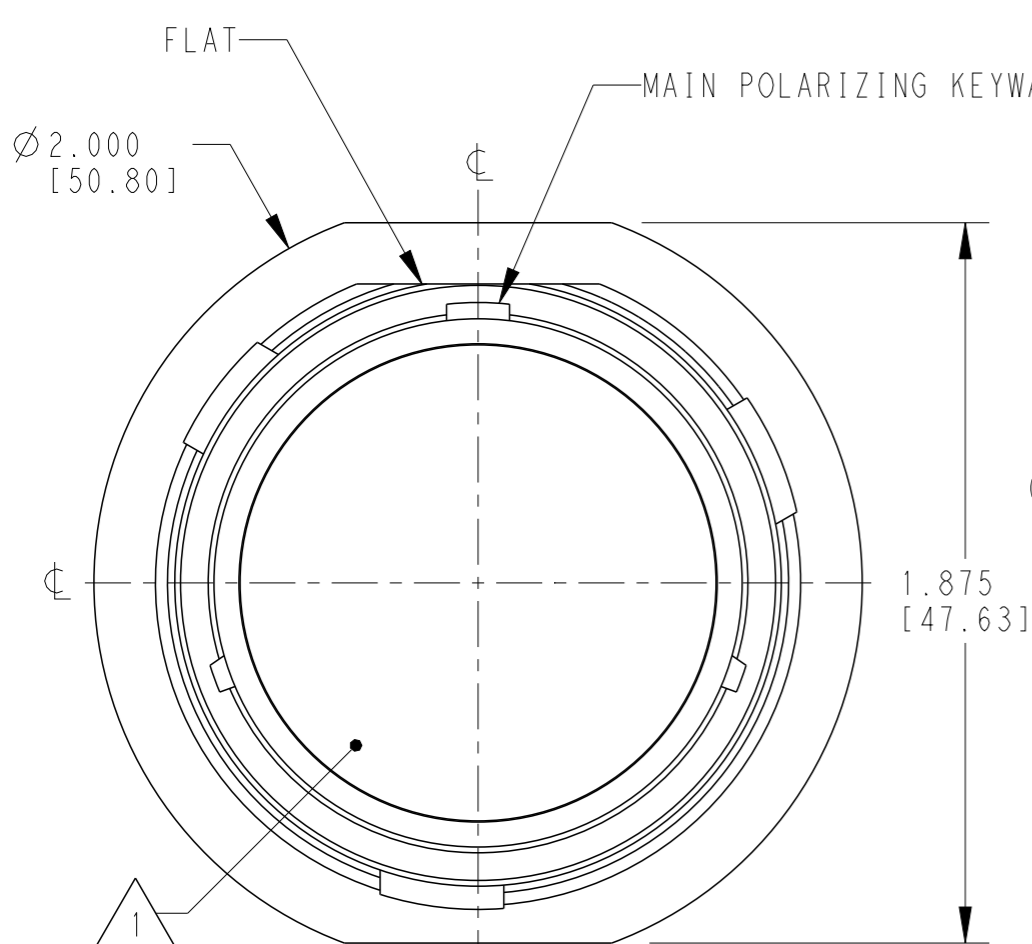


THIS DRAWING IS UNPUBLISHED  
© COPYRIGHT 2012 BY TE CONNECTIVITY ALL RIGHTS RESERVED.

| LOC | DIST | REVISIONS   |                             |           |       |
|-----|------|-------------|-----------------------------|-----------|-------|
| P   | LTR  | DESCRIPTION | DATE                        | DWN       | APVD  |
|     |      | NC          | NEW RELEASE PER E.O. P21414 | 24AUG2012 | IG DM |
|     |      | A           | REVISED PER ECO-14-019072   | 23FEB2015 | JA DM |
|     |      | A1          | REVISED PER ECO-16-013285   | 08SEP2016 | DD DM |
|     |      | A2          | REVISED PER PCN-24-200566   | 19FEB2024 | CO CB |



- 6. RECEPTACLE IS SUPPLIED WITH DUST CAP (2415-001-2405)
- 5. NOTED DIMENSION DOES NOT INCLUDE GROMMET PROTRUSION.
- 4. MATERIAL: RECEPTACLE HOUSING: PA66 GF10 (BLACK)  
THREADED ADAPTER: PA66 GF10 (GREEN, GRAY, BLUE)  
GROMMET: SILICONE (ORANGE-RED)
- 3. SEE 0425-021-0000 APPLICATION SPECIFICATION  
A. RECOMMENDED WIRE INSULATION RANGE  
B. CONTACT REMOVAL TOOLS  
C. RECOMMENDED MOUNTING HOLE & PANEL THICKNESS  
D. MOUNTING HARDWARE & MOUNTING TORQUE.

- 8. DATE CODE: IDENTIFIES THE YEAR, MONTH, DAY AND HOUR OF ASSEMBLY.  
YEAR: FIRST AND SECOND DIGITS. (14 = 2014)  
MONTH: THIRD DIGIT, EXCLUDING I. A = JAN., B = FEB., C = MARCH... (K = OCTOBER)  
DAY: FOURTH AND FIFTH DIGITS (14 = 14th DAY)  
HOUR: SIXTH AND SEVENTH DIGITS (11 = 11AM)
- 7. PART MODIFICATION: THREADED ADAPTER  
ACCEPT BACKSHELL: 2428-024-2405

- 2. THIS RECEPTACLE MATES WITH HDP26-24-XXP/SX-XXXX PLUG  
X = SEAL TYPE (N,T,E)  
XX = INSERT ARRANGEMENT  
XXXX = MODIFICATION
- 1. SEE CUSTOMER DRAWING, 0425-014-2400 FOR AVAILABLE INSERT ARRANGEMENTS AND PART NUMBERS.

NOTES:

|  |              |                                       |  |                                    |   |       |   |       |              |       |   |        |          |                               |            |  |
|--|--------------|---------------------------------------|--|------------------------------------|---|-------|---|-------|--------------|-------|---|--------|----------|-------------------------------|------------|--|
| THIS DRAWING IS A CONTROLLED DOCUMENT.   |              | DWN 13 JUL 2012<br>ILINA GRANICHAROVA | <b>TE Connectivity</b>   |                                    |   |       |   |       |              |       |   |        |          |                               |            |  |
| DIMENSIONS:<br>INCHES [mm]   |              | CHK 23 AUG 2012<br>ILINA GRANICHAROVA |  |                                    |   |       |   |       |              |       |   |        |          |                               |            |  |
| TOLERANCES UNLESS OTHERWISE SPECIFIED:   |              | APVD 23 AUG 2012<br>DAVID MEYER       | NAME<br>RECEPTACLE, THREADED<br>SIZE 24, -L024 MOD<br>HDP SERIES |                                    |   |       |   |       |              |       |   |        |          |                               |            |  |
| <table border="0"> <tr><td>0 PLC</td><td>±</td></tr> <tr><td>1 PLC</td><td>±</td></tr> <tr><td>2 PLC</td><td>±</td></tr> <tr><td>3 PLC</td><td>±.015 [0.38]</td></tr> <tr><td>4 PLC</td><td>±</td></tr> <tr><td>ANGLES</td><td>±0°30'0"</td></tr> </table> |              | 0 PLC                                 | ±  | 1 PLC                              | ± | 2 PLC | ± | 3 PLC | ±.015 [0.38] | 4 PLC | ± | ANGLES | ±0°30'0" | PRODUCT SPEC<br>0425-021-0000 | SIZE<br>A3 |  |
| 0 PLC  | ±            |                                       |  |                                    |   |       |   |       |              |       |   |        |          |                               |            |  |
| 1 PLC  | ±            |                                       |  |                                    |   |       |   |       |              |       |   |        |          |                               |            |  |
| 2 PLC  | ±            |                                       |  |                                    |   |       |   |       |              |       |   |        |          |                               |            |  |
| 3 PLC  | ±.015 [0.38] |                                       |  |                                    |   |       |   |       |              |       |   |        |          |                               |            |  |
| 4 PLC  | ±            |                                       |  |                                    |   |       |   |       |              |       |   |        |          |                               |            |  |
| ANGLES   | ±0°30'0"     |                                       |  |                                    |   |       |   |       |              |       |   |        |          |                               |            |  |
| MATERIAL<br>4  |              | APPLICATION SPEC<br>3                 | CAGE CODE<br>4AFU8   | DRAWING NO<br>HDP24-24-XXP/SX-L024 |   |       |   |       |              |       |   |        |          |                               |            |  |
| FINISH<br>N/A  |              | WEIGHT                                | RESTRICTED TO  |                                    |   |       |   |       |              |       |   |        |          |                               |            |  |
|  |              | Customer Drawing                      | SCALE<br>2:1   | SHEET 1 OF 1<br>REV A2             |   |       |   |       |              |       |   |        |          |                               |            |  |