

THIS DRAWING IS UNPUBLISHED.

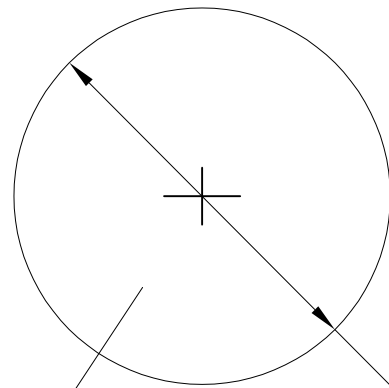
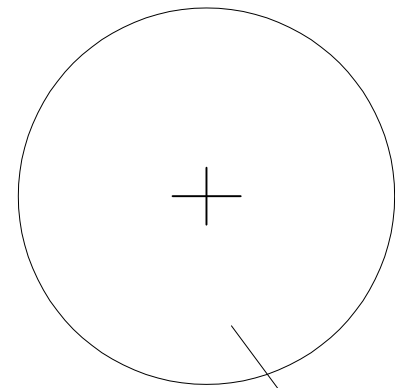
RELEASED FOR PUBLICATION

© COPYRIGHT - By -

ALL RIGHTS RESERVED.

REVISIONS

P	LTR	DESCRIPTION	DATE	DWN	APVD
	A	INITIAL RELEASE PER DCR # R060360	10JUL'06	MF	TR
	B	REVISED PER ECO-16-012196	04AUG'16	PV	MP




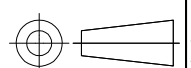
ø34mm NOM.

FILTER COATING ON EACH SIDE

NOTES:

THIS PART IS DESIGNED TO BE USED WITH IR-1759 MINIRAY INFRARED HEATING TOOL.

PART NO.	DESCRIPTION
F52511-000	AES-IR1759-300-FLTR-LRG

THIS DRAWING IS A CONTROLLED DOCUMENT.		DWN P. VU 04AUG2016	 <b>TE Connectivity</b>		
DIMENSIONS: mm		CHK N. PRZYBYLSKA 04AUG2016			
		APVD M. POPE 04AUG2016			
TOLERANCES UNLESS OTHERWISE SPECIFIED:		NAME			
0 PLC ± - 1 PLC ± 0.5 2 PLC ± 0.25 3 PLC ± 0.13 4 PLC ± - ANGLES ± 0.5		PRODUCT SPEC	IR-1759-300 DARK DOUBLE COATED FILTER		
MATERIAL FUSED QUARTZ		FINISH -	APPLICATION SPEC	SIZE A3	CAGE CODE -
		WEIGHT	DRAWING NO C-IR-1759-300		RESTRICTED TO -
CUSTOMER DRAWING			SCALE NTS	SHEET 1 OF 1	REV B