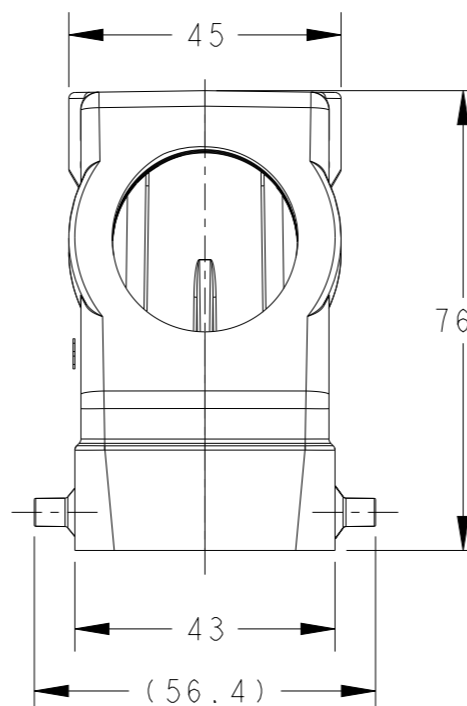
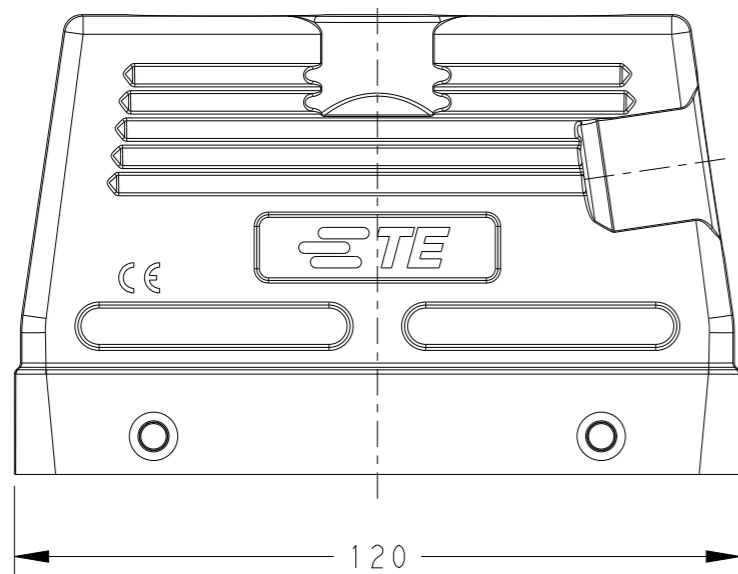
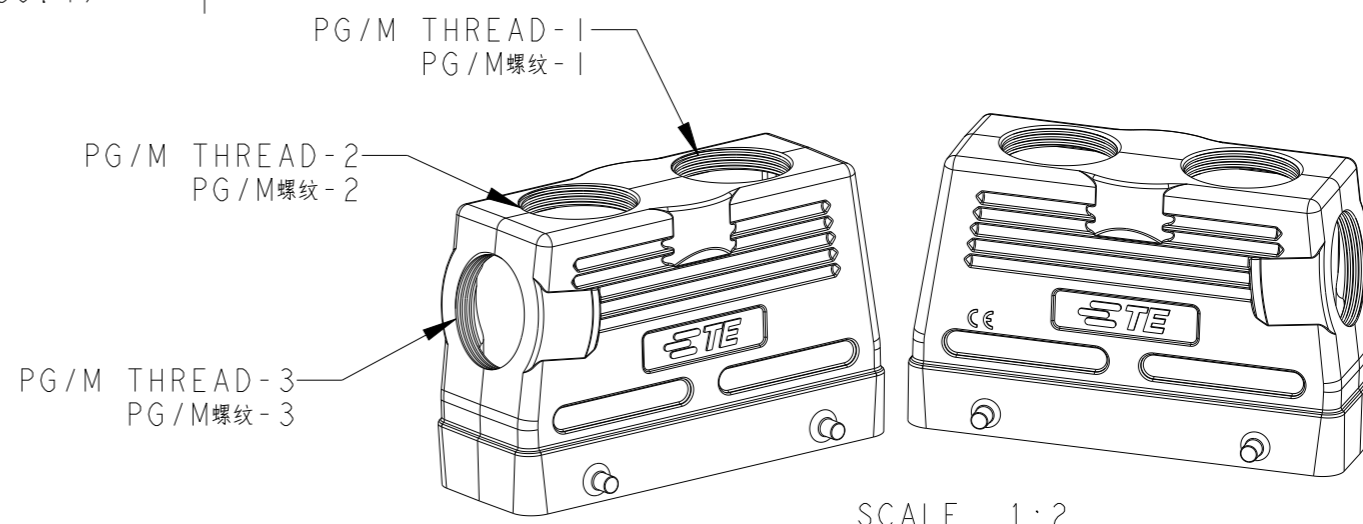
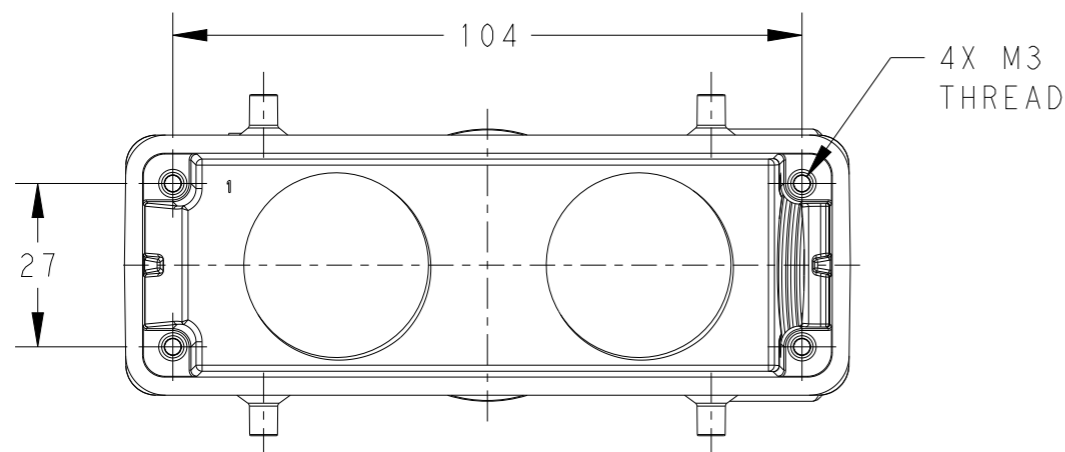


| P | LTR | DESCRIPTION | DATE | DWN | APVD |
|---|-----|---------------|-----------|-----|------|
| | A | INITIAL | 01JUN2015 | DW | CW |
| | A1 | ECR-16-001431 | 31JAN2016 | QY | CW |
| | B | ECR-20-014876 | 22OCT2020 | WQR | CW |
| | B1 | ECR-21-108894 | 04AUG2021 | WQR | CW |



NOTES:
 1. TECHNICAL CHARACTERISTICS:
 HOOD MATERIAL: DIE CAST ALUMINIUM ALLOY
 SURFACE: POWDER COATED, GREY
 DEGREE OF PROTECTION: IP65 (MATED)

注释:
 1. 技术参数:
 上壳材料: 铝合金
 表面处理: 粉末涂层, 灰色
 防护等级: IP65(配合)



SCALE 1:2

| | | | | | |
|---------------------------------|--|---------------------------|---------------------------|---------------------------|-----------------------------|
| T1190240232-320 | H24B-TGH/TSH-2M32/M32 H24B上壳 顶出2M32, 侧出M32, 4耳, 高结构 | M32 | M32 | M32 | HIGH CONSTRUCTION 高结构 |
| T1190242032-000 | H24B-TGH/TSH-2M32/M20 H24B上壳 顶出2M32, 侧出M20, 4耳, 高结构 | M32 | M32 | M20 | |
| T1190241632-000 | H24B-TGH/TSH-2M32/M16 H24B上壳 顶出2M32, 侧出M16, 4耳, 高结构 | M32 | M32 | M16 | |
| ASSEMBLY PART NUMBER 成品料号 | ASSEMBLY PART DESCRIPTION 成品描述 | PG/M THREAD-1 PG/M螺纹-1 | PG/M THREAD-2 PG/M螺纹-2 | PG/M THREAD-3 PG/M螺纹-3 | TYPE 类型 |

THIS DRAWING IS A CONTROLLED DOCUMENT.

| DIMENSIONS: | TOLERANCES UNLESS OTHERWISE SPECIFIED: |
|-------------|--|
| mm | |
| | 0 PLC ±- |
| | 1 PLC ±- |
| | 2 PLC ±- |
| | 3 PLC ±- |
| | 4 PLC ±- |
| | ANGLES ±- |
| MATERIAL | FINISH |
| - | - |
| - | - |

| | |
|------------------|------------|
| DWN | 01JUN2015 |
| David Wang | |
| CHK | 01JUN2015 |
| Chris Wang | |
| APVD | 01JUN2015 |
| Xiang Xu | |
| PRODUCT SPEC | 108-137013 |
| APPLICATION SPEC | 114-137013 |
| WEIGHT | - |
| Customer Drawing | |

STE TE Connectivity

| | | | |
|---------------------------|-----------|------------------|---------------|
| NAME H24B-TGH/TSH-2M/M | | | |
| SIZE | CAGE CODE | DRAWING NO | RESTRICTED TO |
| A3 | 00779 | ©-T119024XX32XX0 | - |
| SCALE | SHEET | OF | REV |
| 4:5 | 1 | 1 | B1 |