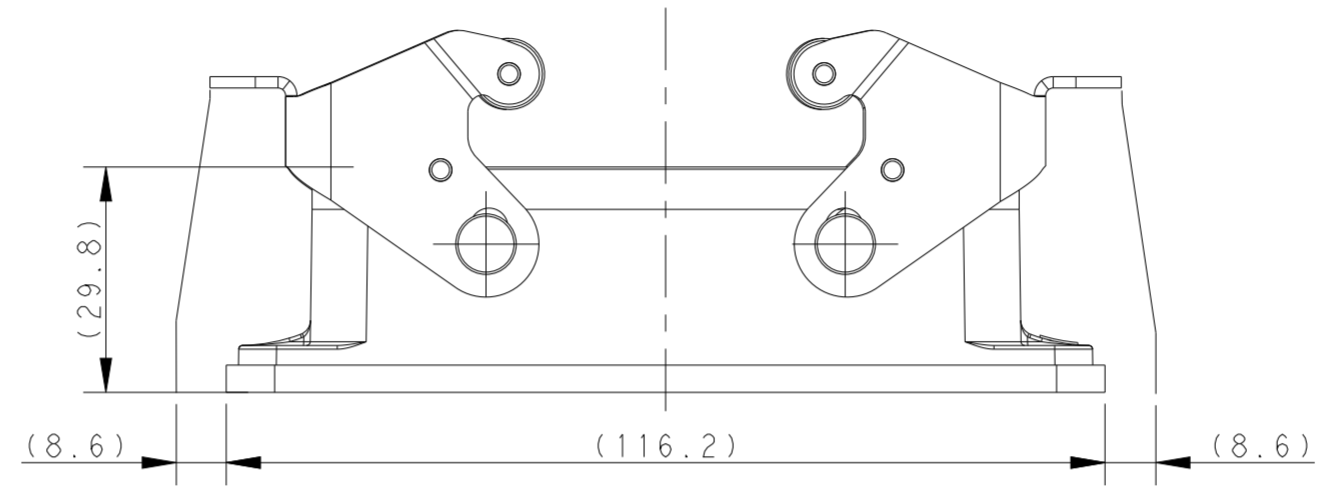
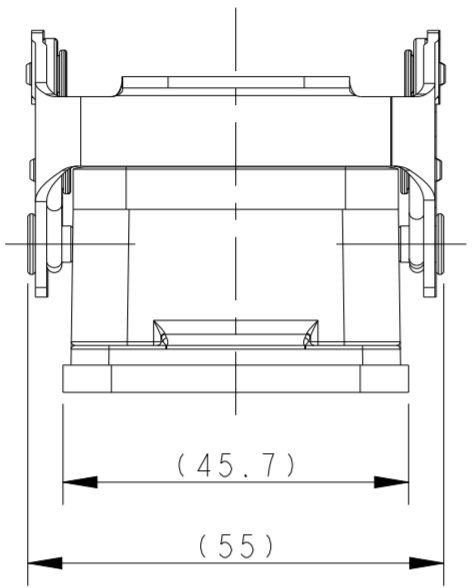
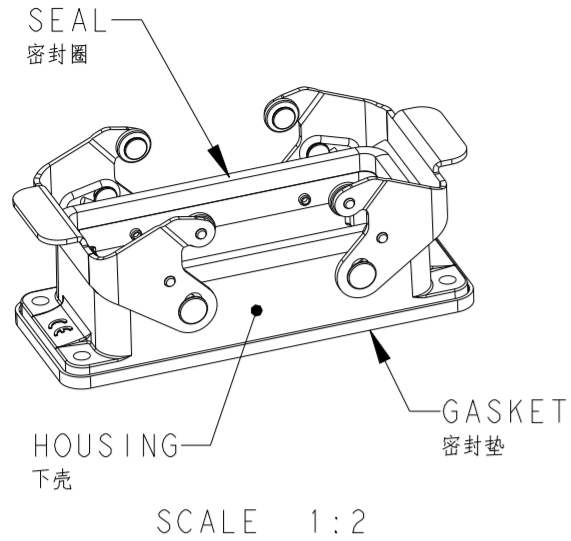


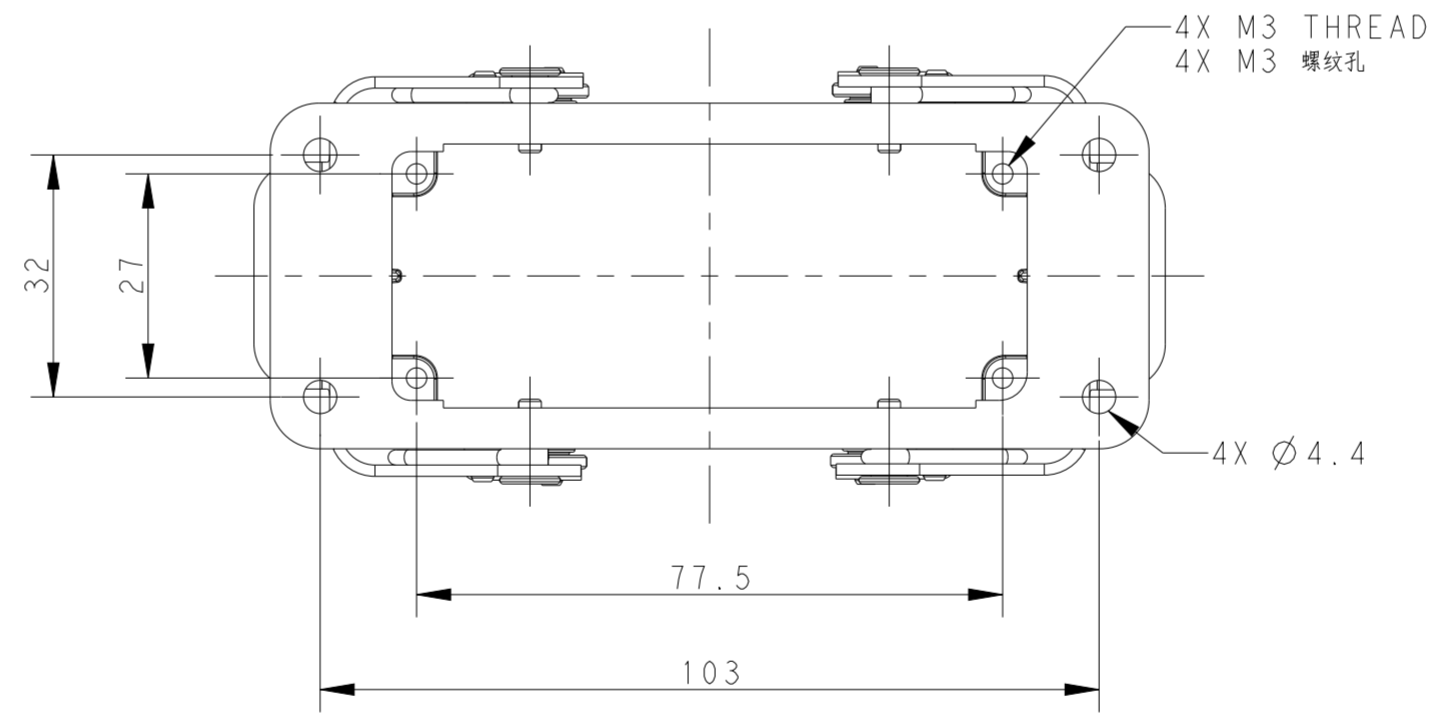
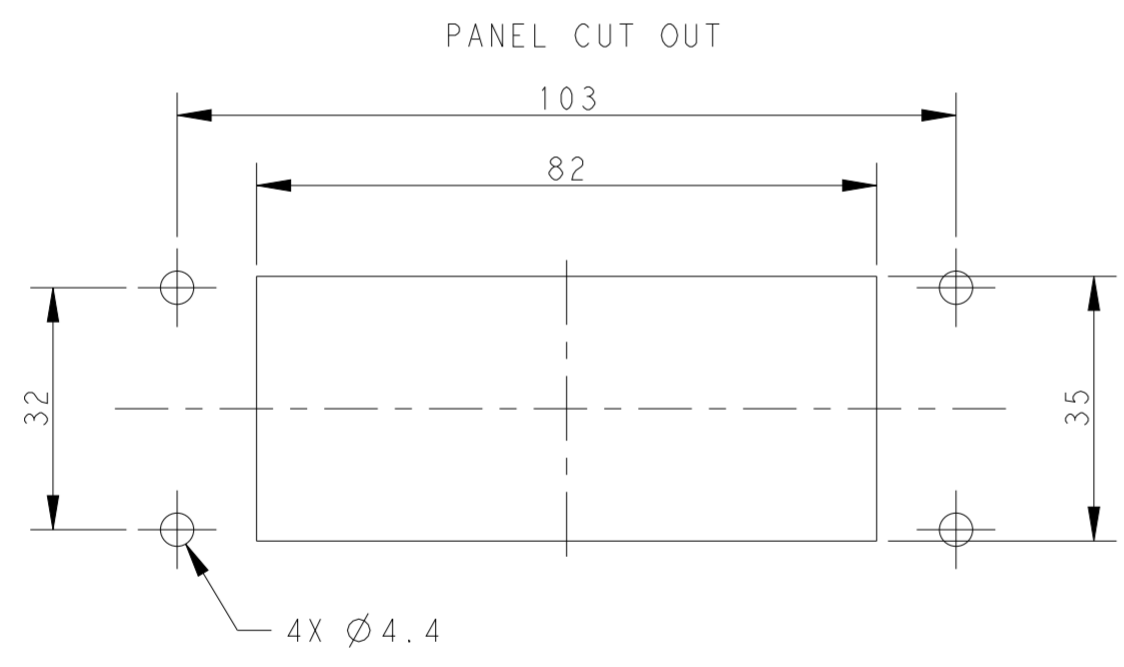
THIS DRAWING IS UNPUBLISHED. RELEASED FOR PUBLICATION 20  
 © COPYRIGHT 20 BY - ALL RIGHTS RESERVED.

REVISIONS					
P	LTR	DESCRIPTION	DATE	DWN	APVD
A2		ECR-15-010519	20JUN2015	DW	CW
A3		ECR-16-010326	07JUL2016	DW	CW
A4		ECR-16-018349	30DEC2016	DW	CW
B		ECR-20-008190	01SEP2020	WOR	CW



NOTES:  
 1. TECHNICAL CHARACTERISTICS:  
 HOUSING MATERIAL: DIE CAST ALUMINIUM ALLOY  
 HOUSING SURFACE: POWDER COATED, GREY, RAL7037  
 SEAL MATERIAL: NBR  
 GASKET MATERIAL: EPDM  
 DEGREE OF PROTECTION: IP65 (MATED)

注释:  
 1. 技术参数:  
 下壳材料: 铝合金  
 下壳表面处理: 灰色粉末涂层, RAL7037  
 密封圈材料: NBR  
 密封垫材料: EPDM  
 防护等级: IP65(配合)



T1410161000-000	H16B-AGS	H16B HOUSING, BULKHEAD MOUNTED, STAINLESS STEEL DOUBLE LOCKING POWDER COATED, GREY H16B下壳, 开孔安装, 不锈钢双扣, 灰色粉末喷涂
PART NUMBER 零件料号	PART DESCRIPTION 零件描述	

THIS DRAWING IS A CONTROLLED DOCUMENT.		DWN DAVID WANG 11 JUN 2014	TE Connectivity	
		CHK CHRIS WANG 11 JUN 2014		
		APVD XIANG XU 11 JUN 2014	NAME H16B-AGS	
DIMENSIONS: mm		TOLERANCES UNLESS OTHERWISE SPECIFIED:	PRODUCT SPEC 108-137013	
MATERIAL		FINISH	APPLICATION SPEC 114-137013	
			WEIGHT	
			CUSTOMER DRAWING	
			SIZE A2	CAGE CODE 00779
			DRAWING NO T1410161000000	
			RESTRICTED TO	
			SCALE 1:1	SHEET 1 OF 1
			REV B	