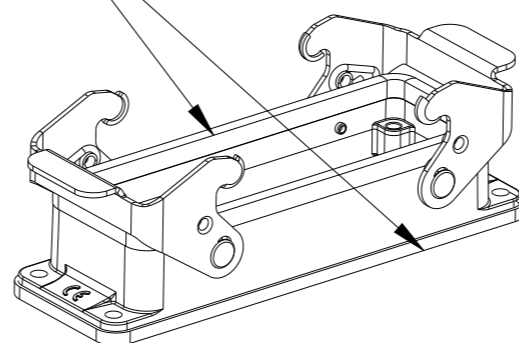
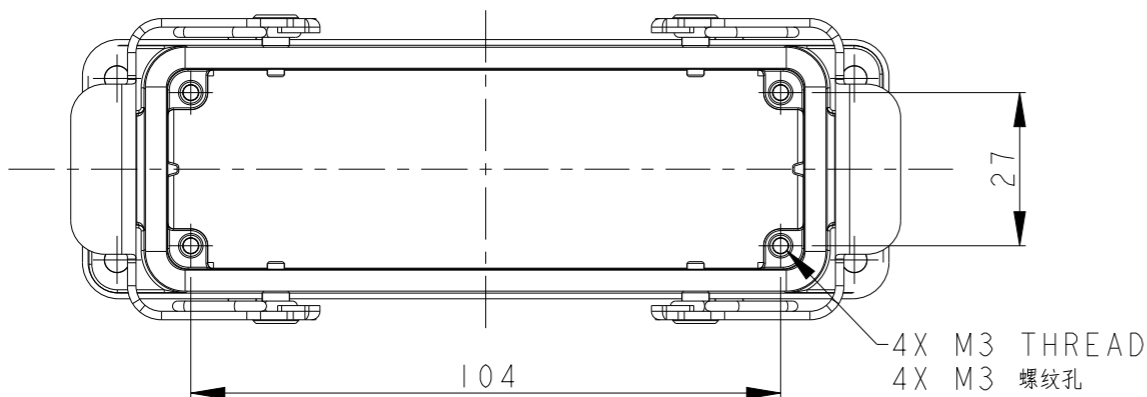


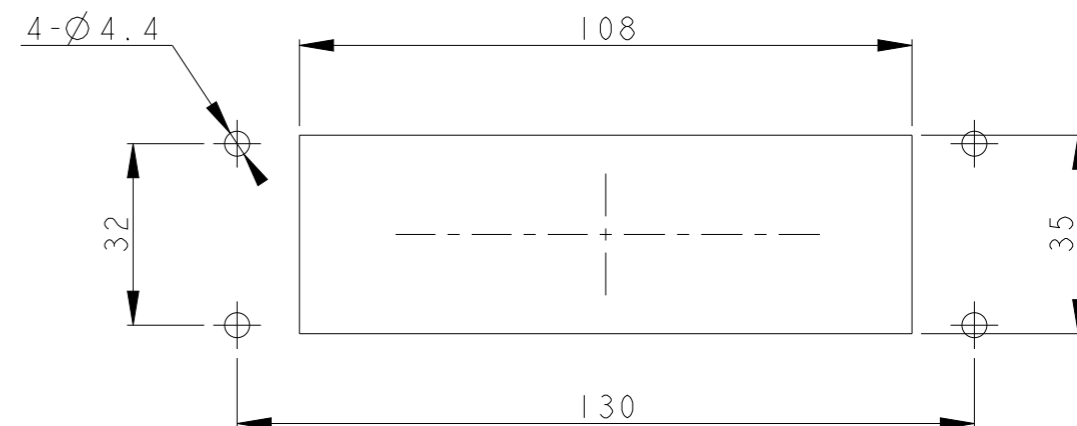
REVISIONS

P	LTR	DESCRIPTION	DATE	DWN	APVD
	A	INITIAL RELEASE	12JUN2015	DL	CW
	B	ECR-20-014876	16JUL2021	WQR	CW

FOR FG "TI410242000-100"
SEAL FIXED BY GLUE



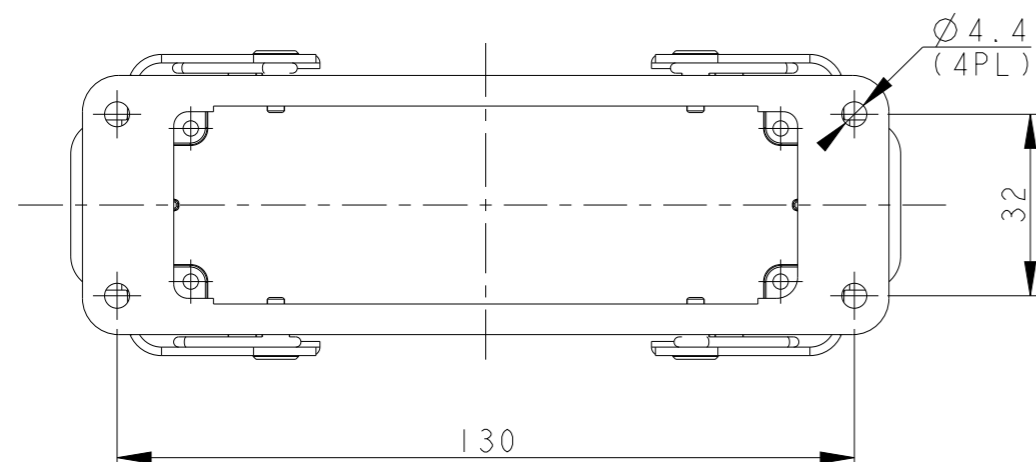
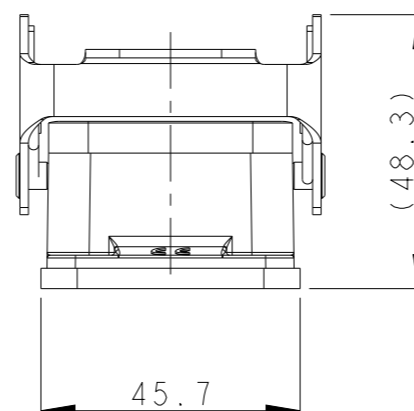
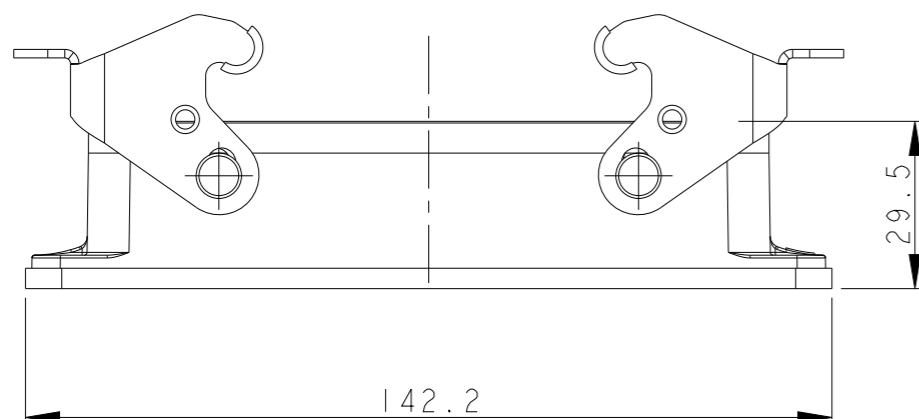
SCALE 1:2




开孔安装示意图
PANNEL CUT OUT

NOTES:
 1. TECHNICAL CHARACTERISTICS:
 BODY MATERIAL: DIE CAST ALUMINIUM ALLOY
 SURFACE TREATMENT: POWDER-COATED, GRAY
 DEGREE OF PROTECTION: IP65 (MATED)

注释:
 1. 技术参数:
 主体材料: 铝合金
 表面处理: 粉末喷涂, 灰色
 防护等级: IP65(配合)



TI410242000-000	H24B-AG	-
TI410242000-100		SEAL FIXED BY GLUE
ASSEMBLY PART NUMBER	ASSEMBLY PART DESCRIPTION	REMARK

THIS DRAWING IS A CONTROLLED DOCUMENT.		DWN	DAVID LI	12JUN2015	 TE Connectivity
DIMENSIONS: mm		CHK	CHRIS WANG	12JUN2015	
TOLERANCES UNLESS OTHERWISE SPECIFIED:		APVD	XU XIANG	12JUN2015	
0 PLC ±- 1 PLC ±- 2 PLC ±- 3 PLC ±- 4 PLC ±- ANGLES ±- MATERIAL - FINISH -		PRODUCT SPEC	NAME H24B-AG		
		APPLICATION SPEC	108-137013		SIZE
		WEIGHT	114-137013		CAGE CODE
		CUSTOMER DRAWING	-		DRAWING NO
		SCALE	3:4		RESTRICTED TO
		SHEET	1 OF 1		REV
					B