

4

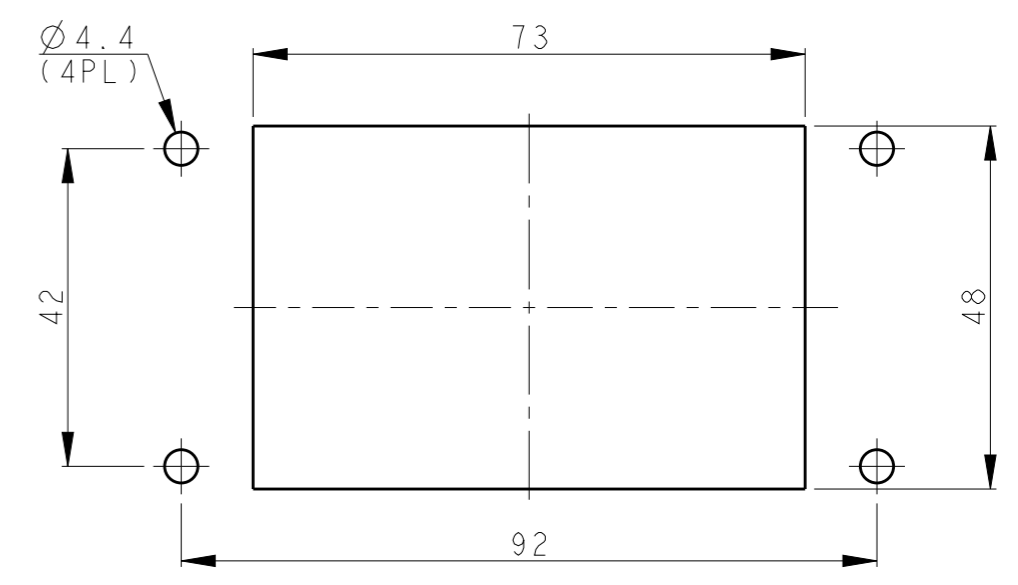
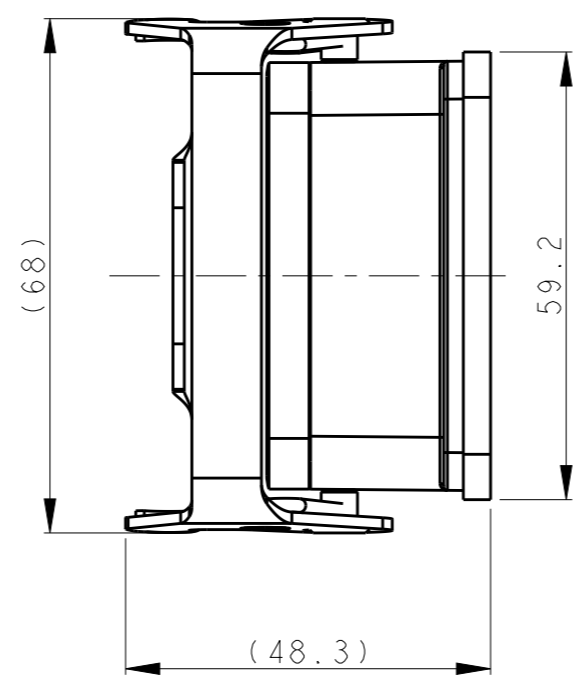
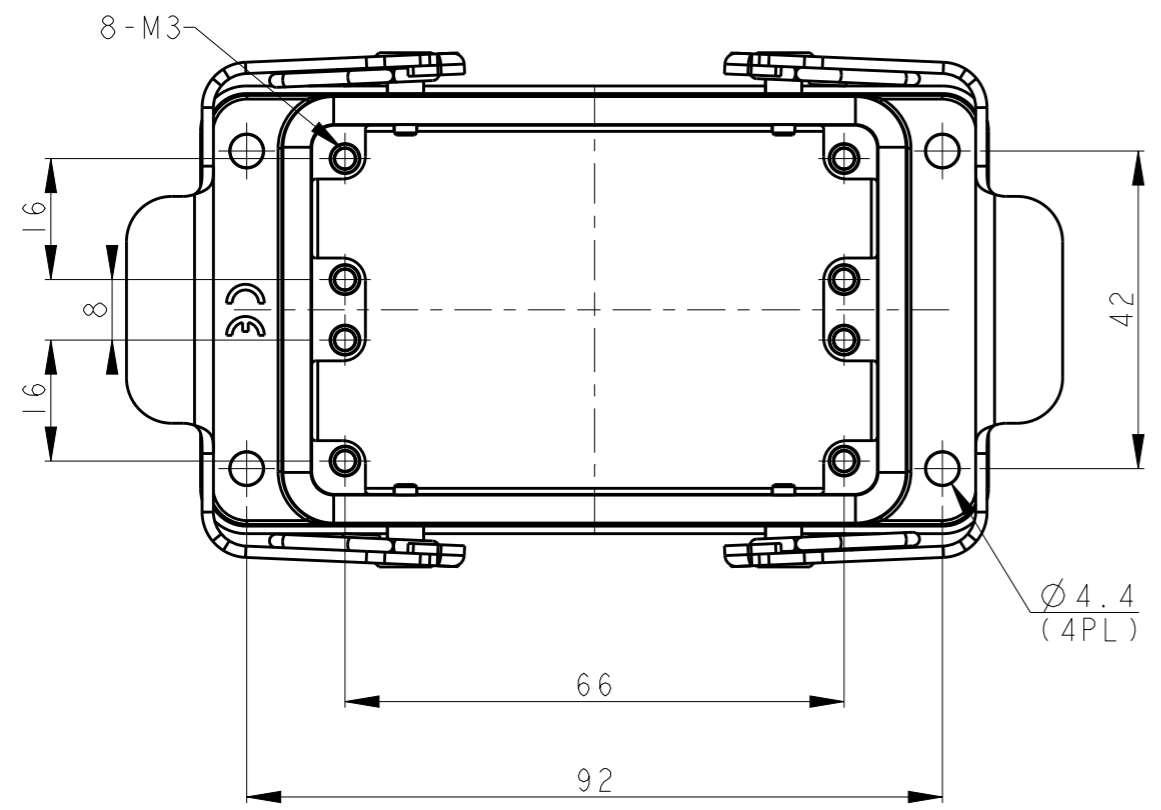
3

2

1

THIS DRAWING IS UNPUBLISHED. RELEASED FOR PUBLICATION 20
 © COPYRIGHT 20 BY - ALL RIGHTS RESERVED.

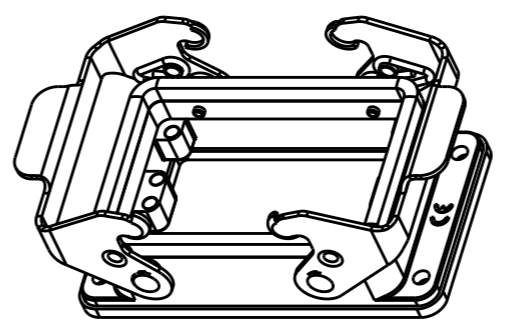
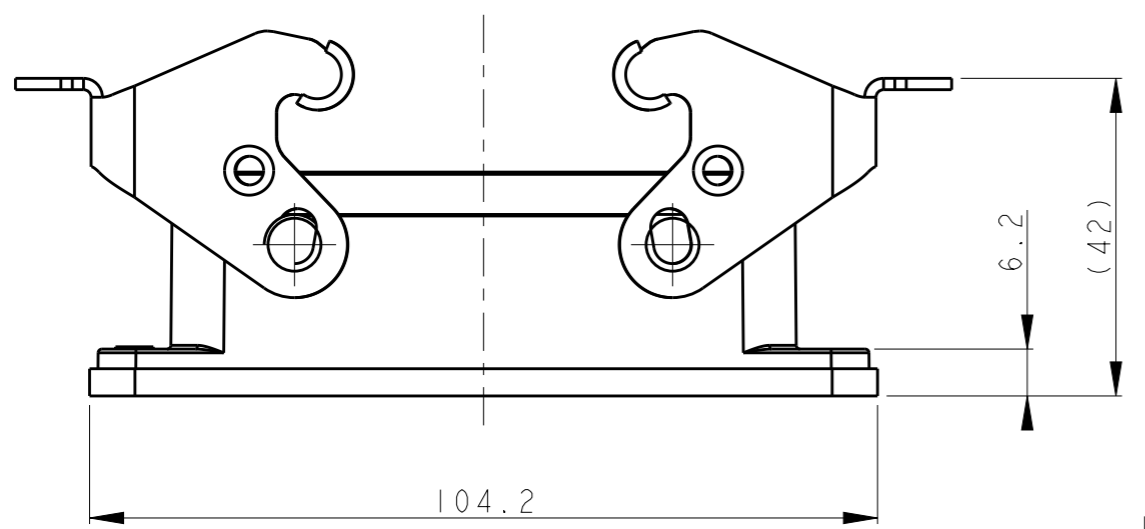
REVISIONS					
P	LTR	DESCRIPTION	DATE	DWN	APVD
	A	INITIAL RELEASE	22APR2015	DL	CW
	A1	ECR-15-013439	11SEP2015	DL	CW
	B	ECR-20-010477	28DEC2020	BS	CW




PANNEL CUT OUT

NOTES:
 1. TECHNICAL CHARACTERISTICS:
 BODY MATERIAL: DIE CAST ALUMINIUM ALLOY
 SURFACE TREATMENT: POWDER-COATED, GRAY
 DEGREE OF PROTECTION: IP65 (MATED)

注释:
 1. 技术参数:
 主体材料: 铝合金
 表面处理: 粉末喷涂, 灰色
 防护等级: IP65(配合)



T1419320000-000	H32A-AG
ASSEMBLY PART NUMBER	ASSEMBLY PART DESCRIPTION

THIS DRAWING IS A CONTROLLED DOCUMENT.		DWN	22APR2015	 TE Connectivity
		DAVID LI		
		CHK	22APR2015	
		CHRIS WANG		
		APVD	22APR2015	NAME
		XU XIANG		H32A-AG
DIMENSIONS:		PRODUCT SPEC		SIZE
mm		108-137010		
TOLERANCES UNLESS OTHERWISE SPECIFIED:		APPLICATION SPEC		DRAWING NO
0 PLC ±-		114-137010		
1 PLC ±-		WEIGHT		SCALE
2 PLC ±-		-		
3 PLC ±-		Customer Drawing		OF
4 PLC ±-				
ANGLES ±-				B
FINISH				
-				
-				