

THIS DRAWING IS UNPUBLISHED.

RELEASED FOR PUBLICATION

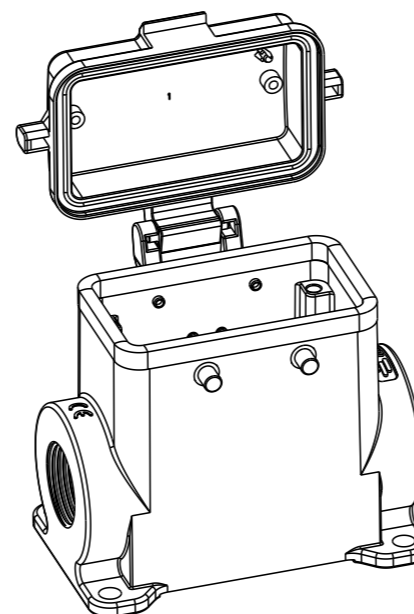
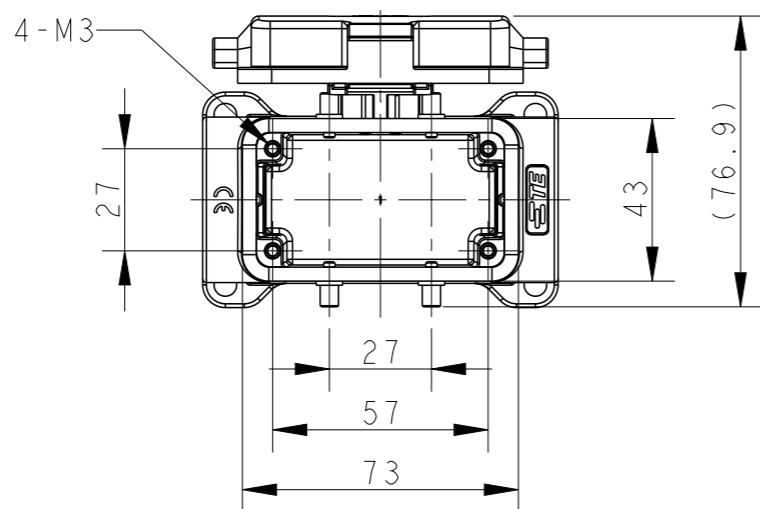
20

© COPYRIGHT 20 BY -

ALL RIGHTS RESERVED.

REVISIONS

P	LTR	DESCRIPTION	DATE	DWN	APVD
	A	INITIAL RELEASE	25JUN2015	DL	CW
	B	ECR-20-008181	13JUL2020	WQR	CW
	C	ECR-23-195672	23MAY2024	BS	CW

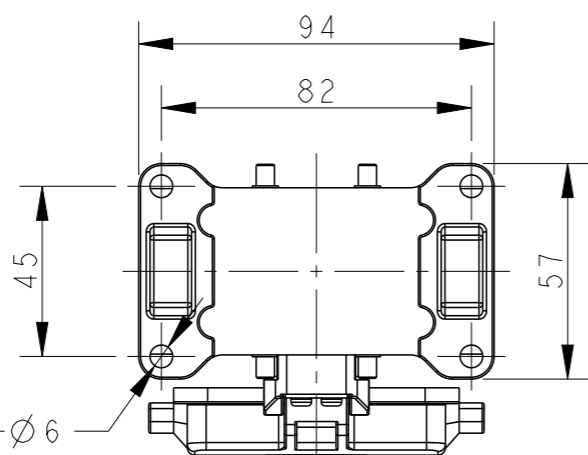
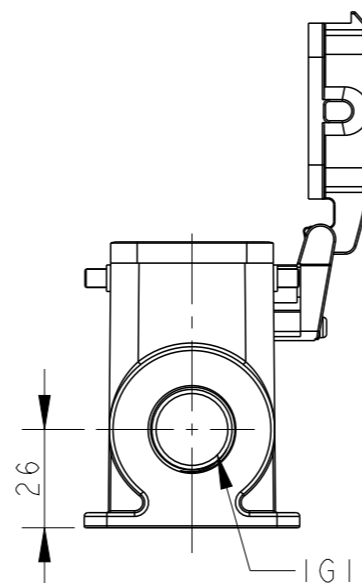
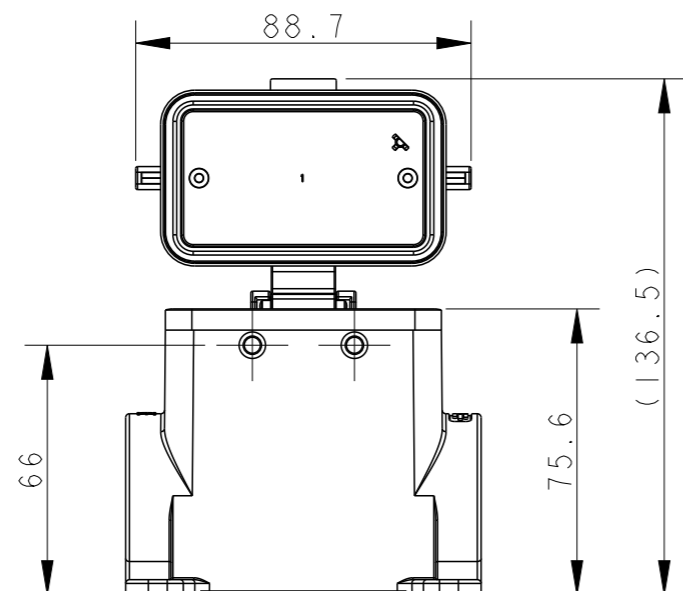
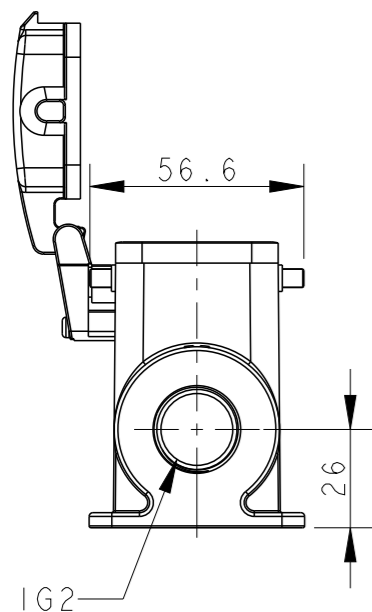


NOTES:

- 1. TECHNICAL CHARACTERISTICS:
 BODY MATERIAL: DIE CAST ALUMINIUM ALLOY
 SURFACE TREATMENT: POWDER-COATED, GRAY
 DEGREE OF PROTECTION: IP65 (MATED)

注释:

- 1. 技术参数:
 主体材料: 铝合金
 表面处理: 粉末喷涂, 灰色
 防护等级: IP65(配合)



TYPE I: HIGH BODY + PLASTIC PROTECTION COVER

TI490100121-000	TYPE I	H10B-SDRH-BO-PG21	PG21	-
TI490100125-000		H10B-SDRH-BO-M25	M25	-
TI490100129-000		H10B-SDRH-BO-PG29	PG29	-
TI490100132-000		H10B-SDRH-BO-M32	M32	-
TI490100221-000		H10B-SDRH-BO-2PG21	PG21	PG21
TI490100229-000		H10B-SDRH-BO-2PG29	PG29	PG29
TI490100232-000		H10B-SDRH-BO-2M32	M32	M32
ASSEMBLY PART NUMBER	TYPE	ASSEMBLY PART DESCRIPTION	IG1	IG2

THIS DRAWING IS A CONTROLLED DOCUMENT.		DWN	DAVID LI	25JUN2015	TE TE Connectivity	NAME H10B-SDRH-BO-PG/M	
DIMENSIONS: mm		CHK	CHRIS WANG	25JUN2015			
TOLERANCES UNLESS OTHERWISE SPECIFIED:		APVD	XU XIANG	25JUN2015			
0 PLC ±- 1 PLC ±- 2 PLC ±- 3 PLC ±- 4 PLC ±- ANGLES ±- FINISH -		PRODUCT SPEC	108-137013	APPLICATION SPEC			114-137013
MATERIAL	TBD	WEIGHT	-	CUSTOMER DRAWING	SIZE	A3	
		SCALE	1:2	SHEET	1	OF	2
		RESTRICTED TO			REV	C	

THIS DRAWING IS UNPUBLISHED.

RELEASED FOR PUBLICATION

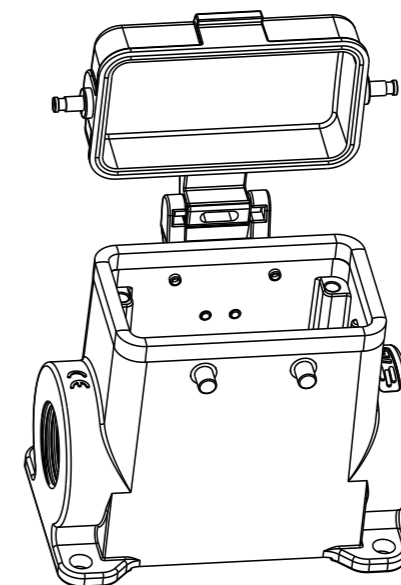
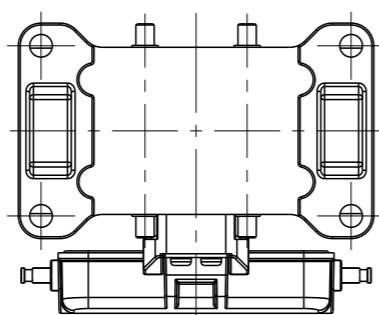
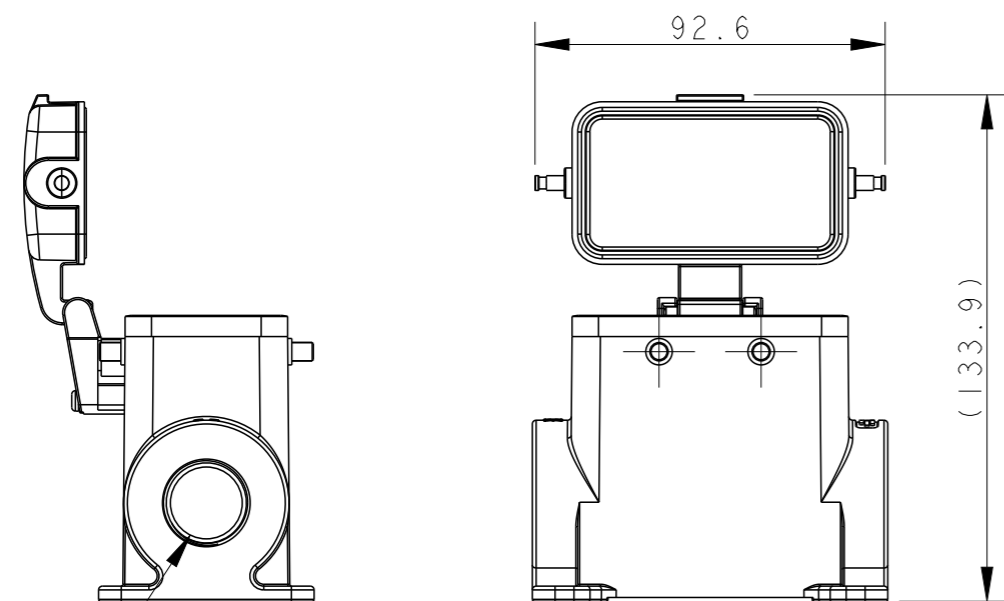
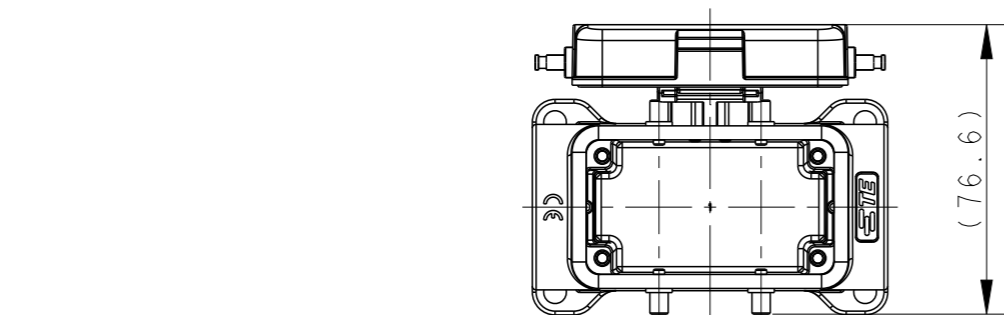
20

© COPYRIGHT 20 BY -

ALL RIGHTS RESERVED.

REVISIONS

P	LTR	DESCRIPTION	DATE	DWN	APVD
	-	SEE SHEET 1	-	-	-



TYPE 2: HIGHT BODY + METAL PROTECTION COVER

OTHER SPEC REFER TO TYPE 1

T1490101121-000	TYPE 2	H10B-SDRMH-BO-PG21	PG21	-
T1490101129-000		H10B-SDRHM-BO-PG29	PG29	-
T1490101132-000		H10B-SDRHM-BO-M32	M32	-
T1490101221-000		H10B-SDRMH-BO-2PG21	PG21	PG21
T1490101229-000		H10B-SDRHM-BO-2PG29	PG29	PG29
T1490101232-000		H10B-SDRHM-BO-2M32	M32	M32
ASSEMBLY PART NUMBER	TYPE	ASSEMBLY PART DESCRIPTION	IG1	IG2

THIS DRAWING IS A CONTROLLED DOCUMENT.

DWN DAVID LI 25JUN2015

CHK CHRIS WANG 25JUN2015

APVD XU XIANG 25JUN2015

PRODUCT SPEC

108-137013

APPLICATION SPEC

114-137013

WEIGHT -

CUSTOMER DRAWING



TE Connectivity

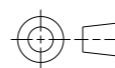
NAME H10B-SDRHM-BO-PG/M

SIZE A3 CAGE CODE - DRAWING NO C-T149010XXXX000 RESTRICTED TO

SCALE 1:2 SHEET 2 OF 2 REV C

DIMENSIONS:

mm



TOLERANCES UNLESS OTHERWISE SPECIFIED:

- 0 PLC ±-
- 1 PLC ±-
- 2 PLC ±-
- 3 PLC ±-
- 4 PLC ±-
- ANGLES ±-
- FINISH -

MATERIAL TBD