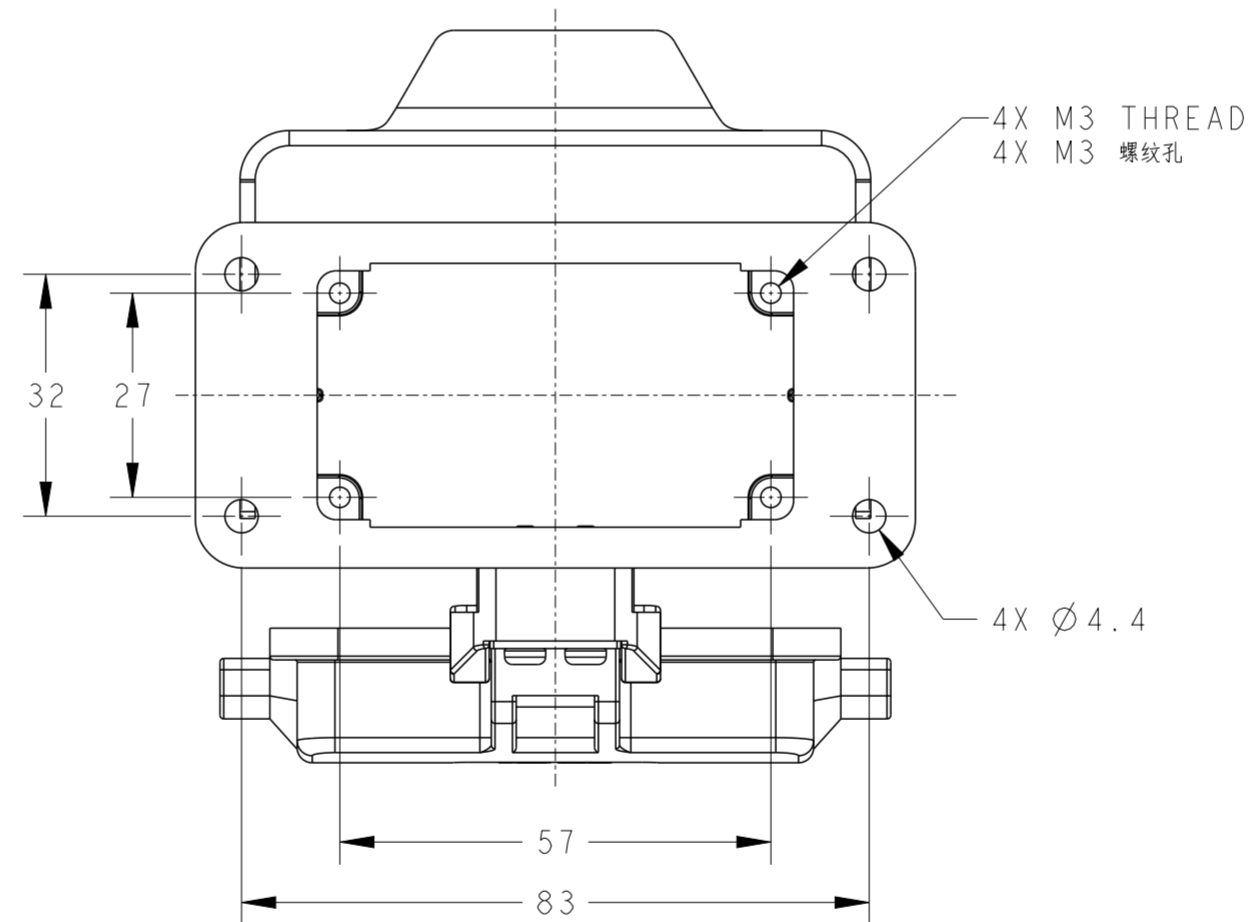
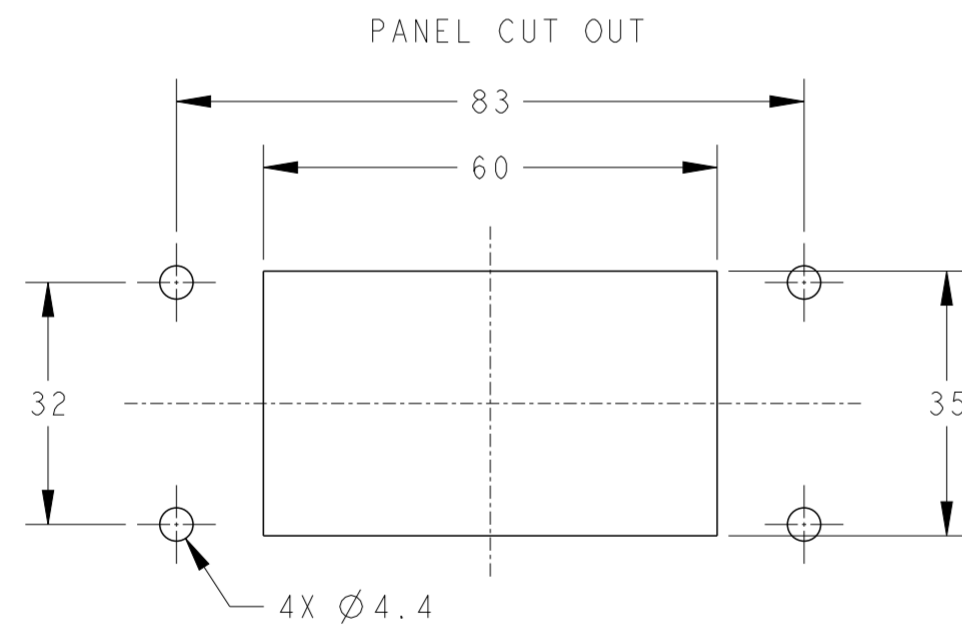
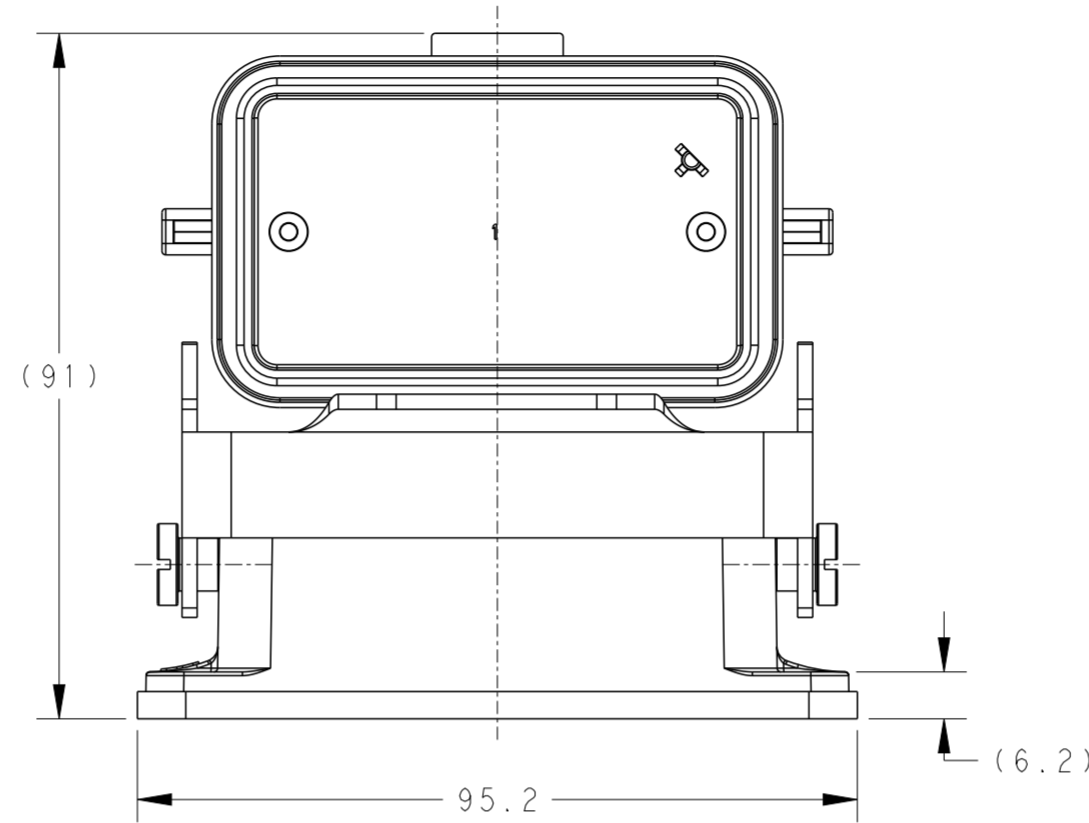
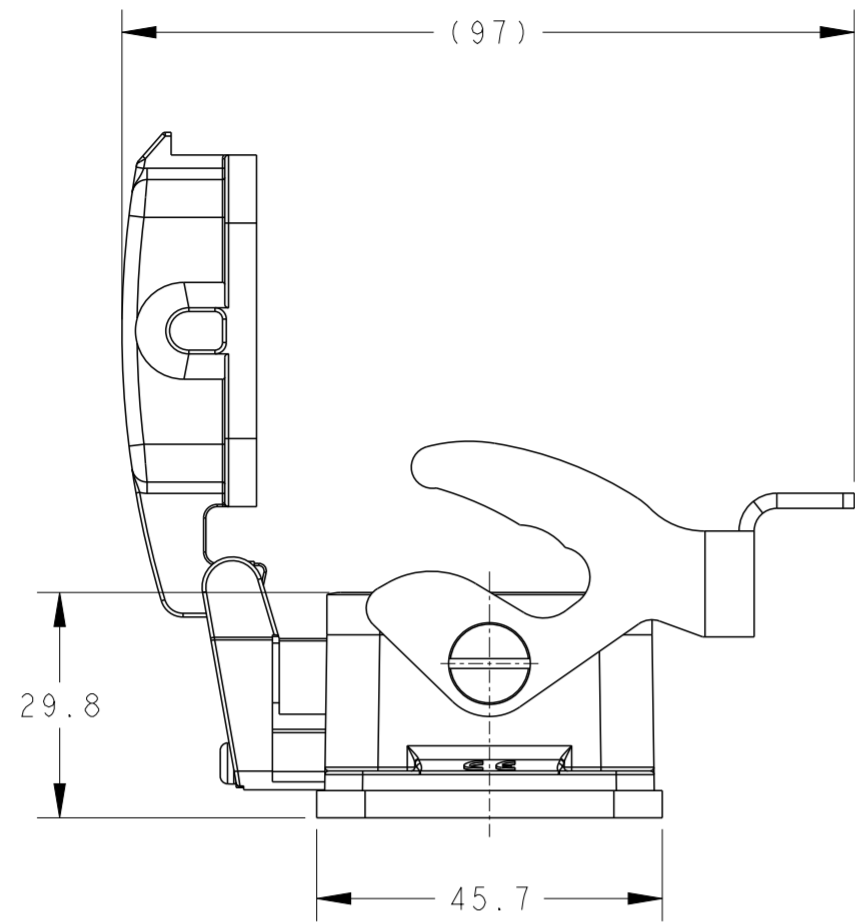


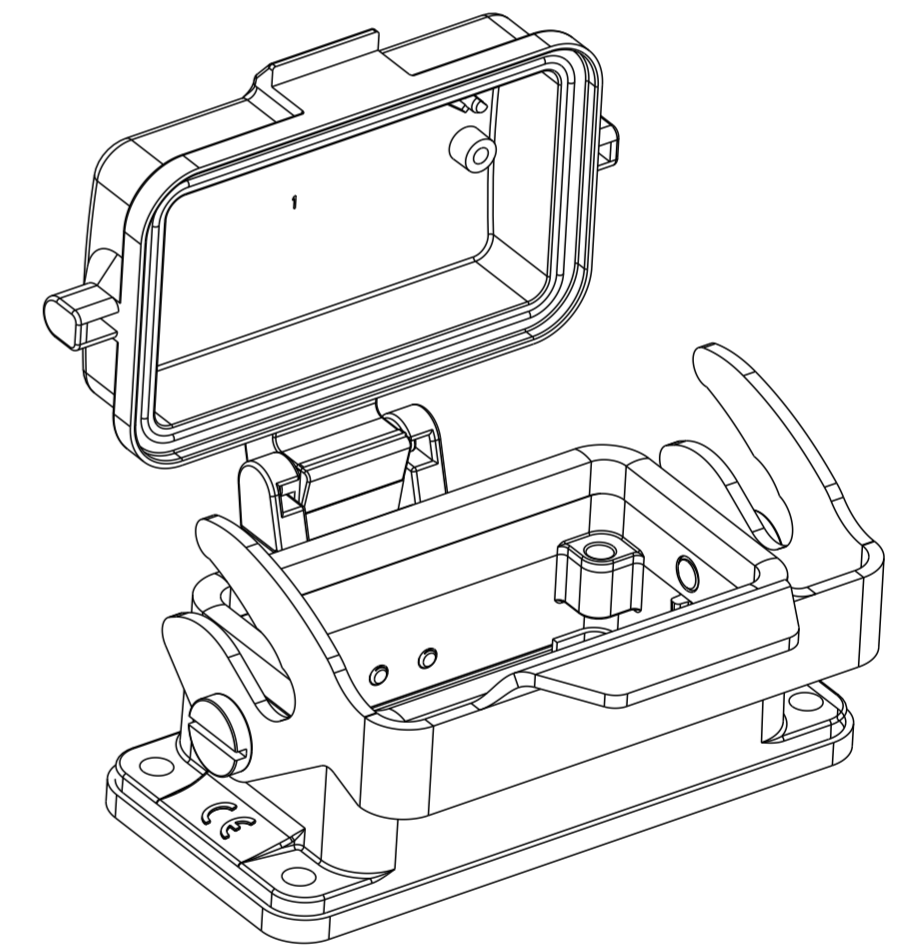
THIS DRAWING IS UNPUBLISHED. RELEASED FOR PUBLICATION 20
 © COPYRIGHT 20 BY - ALL RIGHTS RESERVED.

REVISIONS					
P	LTR	DESCRIPTION	DATE	DWN	APVD
A		INITIAL	25JUN2015	DW	CW
B		ECR-20-008181	13JUL2020	WOR	CW
C		ECR-23-194273	18DEC2023	BS	CW



NOTES:
 1. TECHNICAL CHARACTERISTICS:
 HOUSING MATERIAL: DIE CAST ALUMINIUM ALLOY
 SURFACE: POWDER COATED, GREY
 DEGREE OF PROTECTION: IP65 (MATED)

注释:
 1. 技术参数:
 下壳材料: 铝合金
 表面处理: 粉末涂层, 灰色
 防护等级: IP65(配合)



T1510103000-000	H10B-AD-LB	H10B HOUSING,BULKHEAD MOUNTED,METAL SINGLE LOCKING, PLASTIC PROTECTION COVER,POWDER COATED,GREY H10B下壳,开孔安装,彩锌单扣,带塑料保护盖,灰色粉末喷涂
PART NUMBER 料号	PART DESCRIPTION 描述	

THIS DRAWING IS A CONTROLLED DOCUMENT.		DWN 25JUN2015 David Wang	STE TE Connectivity			
		CHK 25JUN2015 Chris Wang				
		APVD 25JUN2015 Xiang Xu	NAME H10B-AD-LB			
DIMENSIONS: mm		PRODUCT SPEC 108-137013	SIZE	CAGE CODE	DRAWING NO	RESTRICTED TO
TOLERANCES UNLESS OTHERWISE SPECIFIED: 0 PLC ± 1 PLC ± 2 PLC ± 3 PLC ± 4 PLC ± ANGLES ± FINISH		APPLICATION SPEC 114-137013	A2	00779	C-T1510103000000	-
MATERIAL		WEIGHT	SCALE 1:1		SHEET 1 OF 1	REV C
		Customer Drawing				