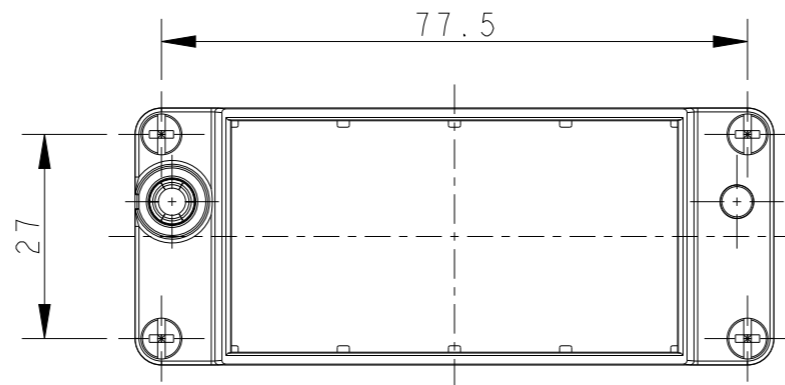
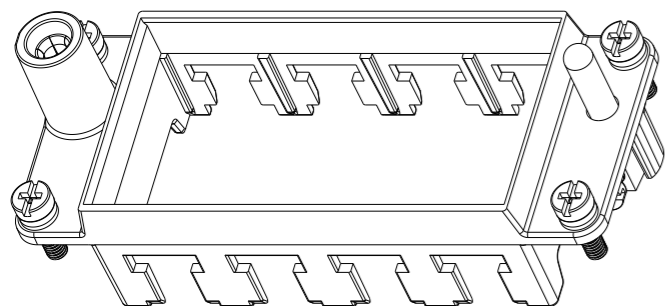
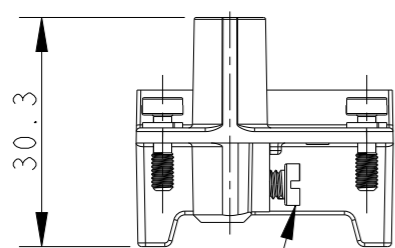


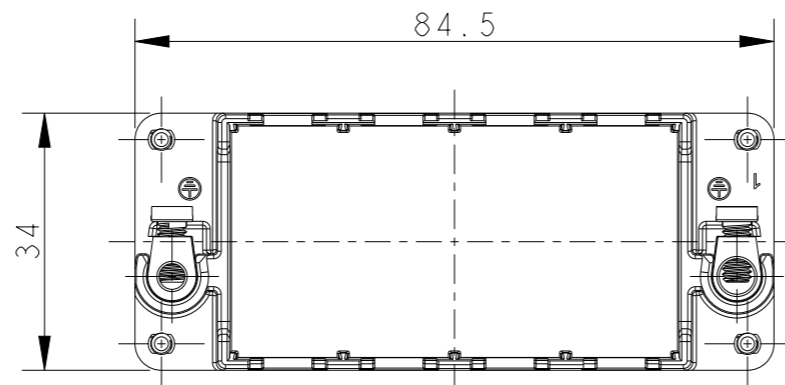
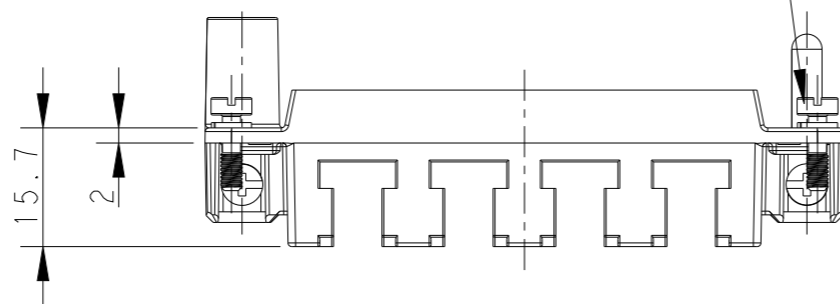
P	LTR	DESCRIPTION	DATE	DWN	APVD
A1		ECR-16-000601	14JAN2016	DW	CW
A2		ECR-16-017508	12DEC2016	RL	CW
B		ECR-18-005861	03AUG2018	YC	CW
C		ECR-21-122216	09DEC2021	WQR	CW



4X M3 SCREW
RECOMMENDED TIGHTENING
TORQUE 0.5Nm
4X M3 螺丝推荐锁紧力矩为0.5Nm

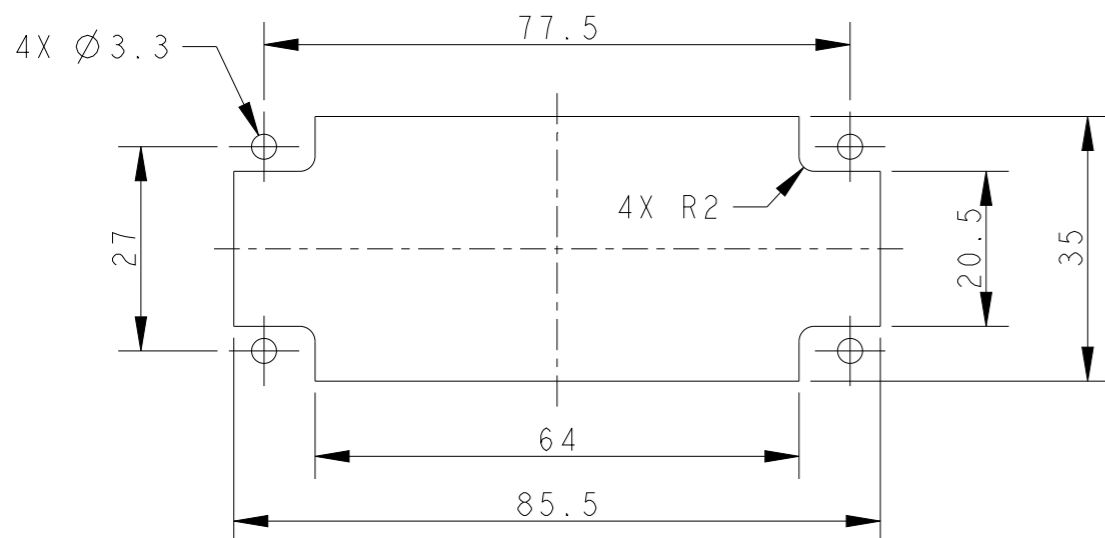


2X M4 SCREW, RECOMMENDED
TIGHTENING TORQUE 1.2Nm
2X M4 螺丝, 推荐锁紧力矩为1.2Nm



T2070164001-000 SHOWN ABOVE
WITHOUT MARK
T2070164001-000, 不带标记

PANEL CUT FOR FRAME USE
WITHOUT HOODS/ HOUSINGS



NOTES:


- 1. TECHNICAL CHARACTERISTICS:
FRAME MATERIAL: DIE CAST ZINC ALLOY
NUMBER OF MODULES: 4
SURFACE: ZINC PLATED
MATING CYCLES: 500 CYCLES

注释:

- 1. 技术参数:
框架材料: 锌合金
模块数量: 4
表面处理: 镀锌
插拔次数: 500次

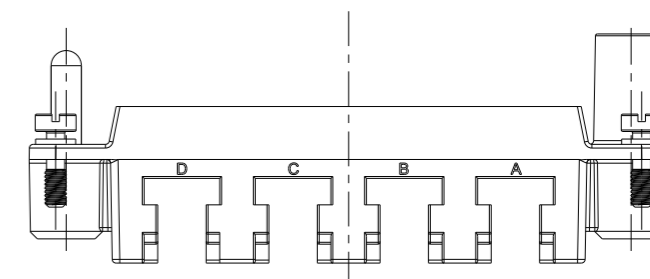
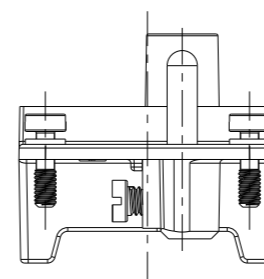
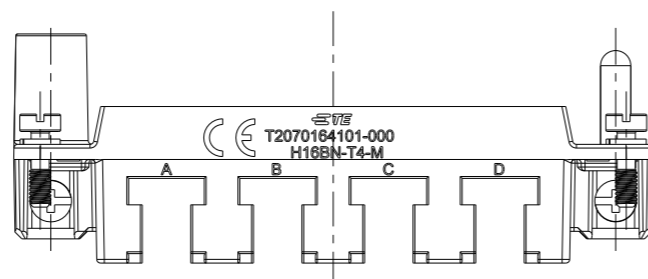
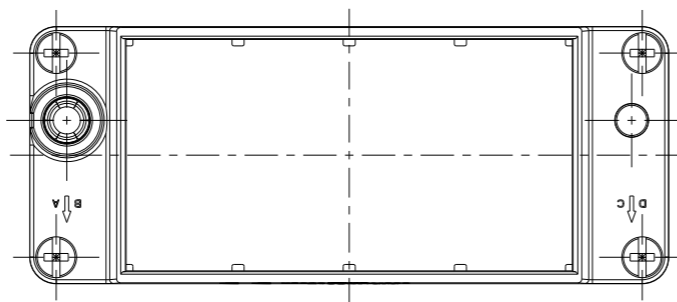
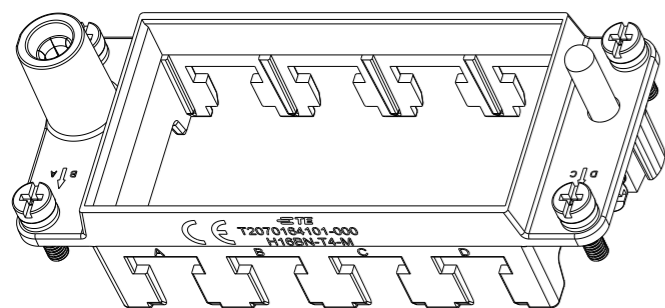
T2070164001-000	H16BN-T4	H16BN MODULE FRAME H16BN模块框架
T2070164101-000	H16BN-T4-M	H16BN MALE MODULE FRAME H16BN模块公框架
T2070164201-000	H16BN-T4-F	H16BN FEMALE MODULE FRAME H16BN模块母框架

PART NUMBER 料号	PART DESCRIPTION 描述
-------------------	------------------------

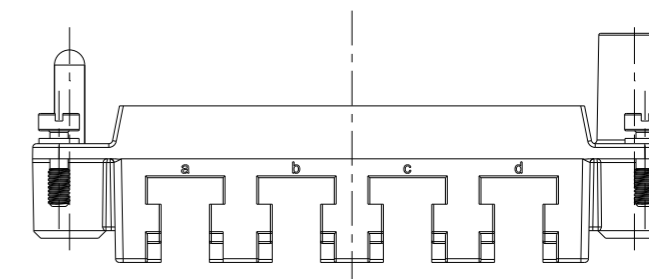
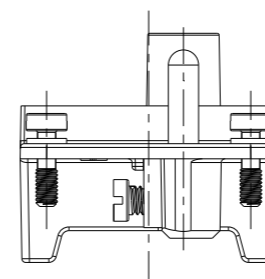
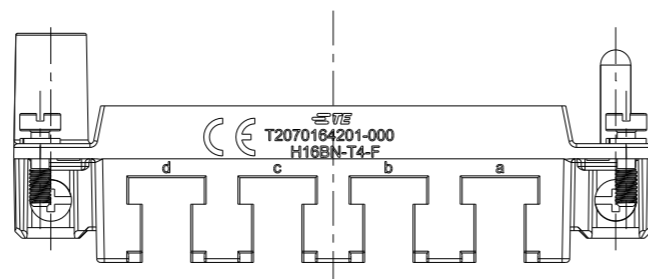
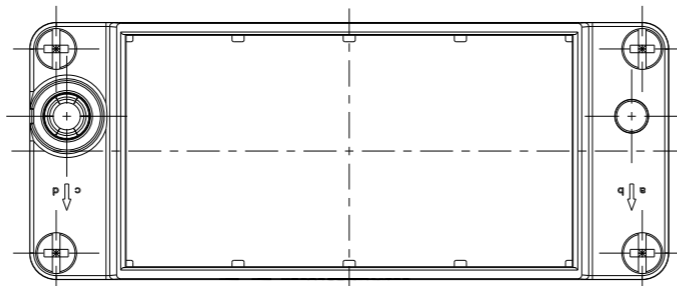
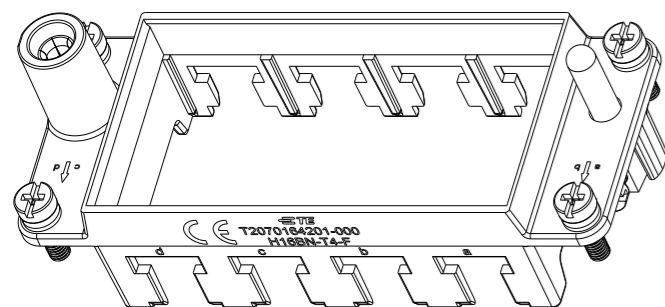
THIS DRAWING IS A CONTROLLED DOCUMENT.		DWN 28FEB2015 DAVID WANG		 TE Connectivity	
CHK 28FEB2015 CHRIS WANG		APVD 28FEB2015 XIANG XU			
NAME H16BN-T4		PRODUCT SPEC 108-137057		RESTRICTED TO	
APPLICATION SPEC 114-137057		WEIGHT -		SIZE A3	
MATERIAL -		FINISH -		CAGE CODE 00779	
Customer Drawing		SCALE 1:1		DRAWING NO T2070164001000	
		SHEET 1 OF 2		REV C	

REVISIONS

P	LTR	DESCRIPTION	DATE	DWN	APVD
-	-	SEE SHEET 1	-	-	-



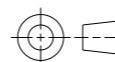
T2070164101-000, H16BN-T4-M SHOWN
 WITH MARK, ALL DIMENSIONS THE SAME TO T2070164001-000
 T2070164101-000, H16BN-T4-M, 带标记, 所有尺寸同T2070164001-000一样



T2070164201-000, H16BN-T4-F SHOWN
 WITH MARK, ALL DIMENSIONS THE SAME TO T2070164001-000
 T2070164201-000, H16BN-T4-F, 带标记, 所有尺寸同T2070164001-000一样

THIS DRAWING IS A CONTROLLED DOCUMENT.

DIMENSIONS:
mm



TOLERANCES UNLESS OTHERWISE SPECIFIED:

- 0 PLC ±-
- 1 PLC ±-
- 2 PLC ±-
- 3 PLC ±-
- 4 PLC ±-
- ANGLES ±-
- FINISH -

MATERIAL

-

DWN 28FEB2015

DAVID WANG

CHK 28FEB2015

CHRIS WANG

APVD 28FEB2015

XIANG XU

PRODUCT SPEC

108-137057

APPLICATION SPEC

114-137057

WEIGHT

-

Customer Drawing

NAME

H16BN-T4

SIZE

A3

00779

CAGE CODE

C

DRAWING NO

T2070164001000

RESTRICTED TO

-

SCALE 1:1

SHEET 2 OF 2

REV C

