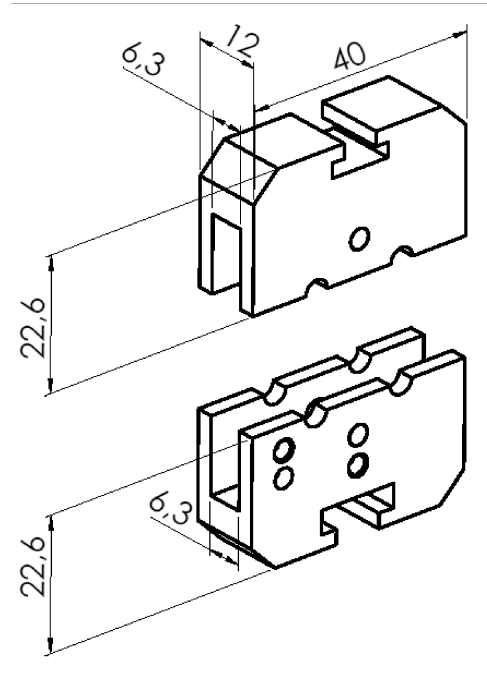
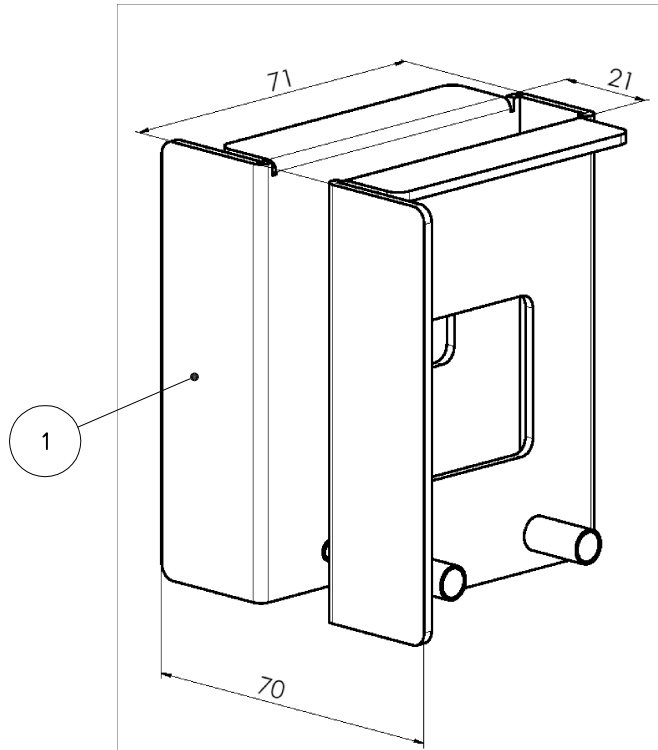


THIS DRAWING IS UNPUBLISHED. RELEASED FOR PUBLICATION
 © COPYRIGHT - BY TYCO ELECTRONICS CORPORATION. ALL INTERNATIONAL RIGHTS RESERVED.

LOC	DIST	REVISIONS					
		P	LTR	DESCRIPTION	DATE	DWN	APVD
-	-		A	INITIAL REVISION	19AUG10	LS	SA



ACHTUNG/ATTENTION

Nur in Kombination mit TE-P/N 528051-7 zu verwenden /
 ONLY TO BE USED IN COMBINATION WITH TE-P/N 528051-7

POS	QTY	REV	TE- P/N	SPARE PART DESCRIPTION
1	1	A	3-1481226-5	SAFETY GUARD, PEZ 100- DIE HOLDER AT- 55

THIS DRAWING IS A CONTROLLED DOCUMENT.		DWN L. Sandhu 11MAY10	Tyco Electronics AMP GmbH 64625 Bensheim (Germany)	
DIMENSIONS: mm	TOLERANCES UNLESS OTHERWISE SPECIFIED:	CHK S. Samstag 19AUG10	NAME	AT- 55 PEZ 100 DIE HOLDER, CS30/CK100, INCL. SAFETY GUARD AT- 55
	0 PLC ± -	APVD S. Samstag 19AUG10	SIZE	A3
	1 PLC ± -	PRODUCT SPEC	CAGE CODE	00779
	2 PLC ± -	APPLICATION SPEC	DRAWING NO	©=1-528051-3
	3 PLC ± -	WEIGHT	RESTRICTED TO	-
MATERIAL	FINISH	CUSTOMER DRAWING		SCALE -
		SHEET 1 of 1		REV A