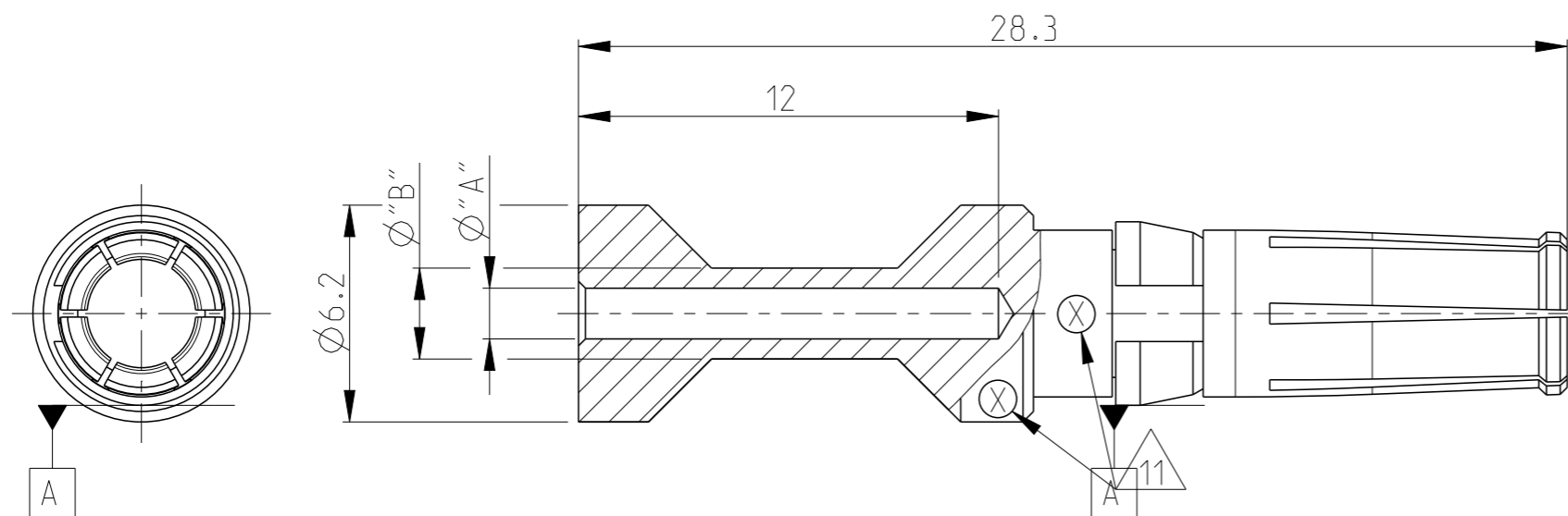


P	LTR	DESCRIPTION	DATE	DWN	APVD
A3		ECR-09-005436	11MAR2010	VG	MH
A4		ECR-16-016696	18AUG2017	GCM	MKO
A5		REVISED PER ECR-17-014011	18JAN2018	SRG	MKO
A6		REVISED PER ECR-21-123503	12MAR2022	RK	JB



Notes

- 1 MATERIAL: BRASS
- 2 FINISH SILVER PLATING: 2 μm Ag MIN. OVER Cu
- 3 FINISH GOLD PLATING: 0.75 μm Au MIN. OVER Ni
- 4 NO VENTILATION HOLE REQUIRED AT CROSS-SECTION >4.0 MM²
- 5 WEIGHT: 2.8 g, VOLUME: 324mm³ (APPROX.)
- 6 SUITABLE PIN CONTACT: CUSTOMER DRAWING 1105251
- 7 SUITABLE INSERTS: SERIES HSM, CUSTOMER DRAWING
- 8 SUITABLE CRIMP TOOL: PN 1-1105850-8
- 9 SUITABLE INSERTION TOOL: PN 0-1102855-6
- 10 SUITABLE EXTRACTION TOOL: PN 0-1102855-4
- 11 CROSS-SECTION MARKING
- 12 STANDARDS: DIN EN 61984, DIN EN 60664-1

ORDERING TEXT	PLATING	CROSS SECTION	DIMENSIONS	CROSS-SECTION MARKINGS	STRIPPING-LENGTH		
OBSOLETE	GOLD 3	HSM.Bu.C.Au 10.0mm ²	10	4.35	5.9	8	12
OBSOLETE		HSM.Bu.C.Au 6.0mm ²	6.0	3.5	4.9	7	12
OBSOLETE		HSM.Bu.C.Au 4.0mm ²	4.0	2.85	3.9	6	12
OBSOLETE		HSM.Bu.C.Au 2.5mm ²	2.5	2.2	3.2	5	12
OBSOLETE		HSM.Bu.C.Au 1.5mm ²	1.5	1.8	3.0	4	12
OBSOLETE		HSM.Bu.C.Au 0.75mm ²	0.75-1.0	1.45	2.6	3	12
OBSOLETE	SILBER 2	HSM.Bu.C.Ag 10.0mm ²	10	4.35	5.9	8	12
OBSOLETE		HSM.Bu.C.Ag 6.0mm ²	6.0	3.5	4.9	7	12
OBSOLETE		HSM.Bu.C.Ag 4.0mm ²	4.0	2.85	3.9	6	12
OBSOLETE		HSM.Bu.C.Ag 2.5mm ²	2.5	2.2	3.2	5	12
OBSOLETE		HSM.Bu.C.Ag 1.5mm ²	1.5	1.8	3.0	4	12
OBSOLETE		HSM.Bu.C.Ag 0.75mm ²	0.75-1.0	1.45	2.6	3	12
			[MM ²]	"A"	"B"	CROSS-SECTION MARKINGS	[mm]

PARTS LIST

THIS DRAWING IS A CONTROLLED DOCUMENT.

DWN: K.SCHROEDER 03APR2008
 CHK: H.BRAUN 03APR2008
 APVD: T.SCHNURPFIL 03APR2008

TE Connectivity

NAME: SOCKET CONTACT SERIES HSM

PRODUCT SPEC

APPLICATION SPEC

WEIGHT

CUSTOMER DRAWING

SIZE: A3 CAGE CODE: 00779 DRAWING NO: C-1105251 RESTRICTED TO

SCALE: 5:1 SHEET: 1 OF 1 REV: A6

DIMENSIONS:	TOLERANCES UNLESS OTHERWISE SPECIFIED:
mm	0 PLC ±
	1 PLC ±
	2 PLC ±
	3 PLC ±
	4 PLC ±
	ANGLES ±0.5°

