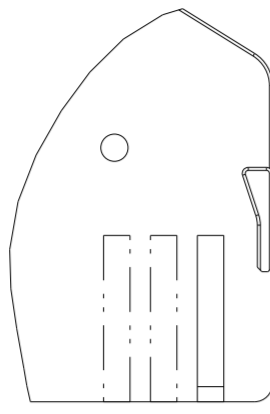


REVISIONS				
P	LTR	DESCRIPTION	DATE	APVD
A3		NEW 3D-DRAWING	29DEC2015	MAH. GILC
A4		CHAMFER 0.6x45° REMOVED. 0.4x45° ADDED	19APR2016	MAH. GILC
B		SEE PCN E-19-010873	15JUL2019	SCK MN
B1		OBSOLETE VARIANT 2-1393440-4	09MAY2024	KMD SCK

CODING C-G (GEOMETRY)
 Kodierung C-G (Geometrie)

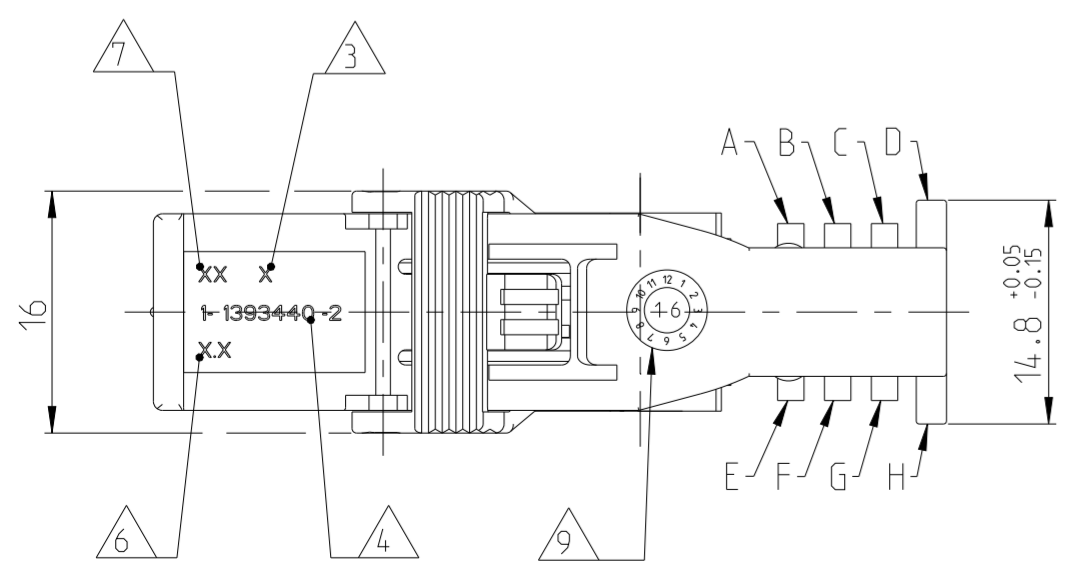
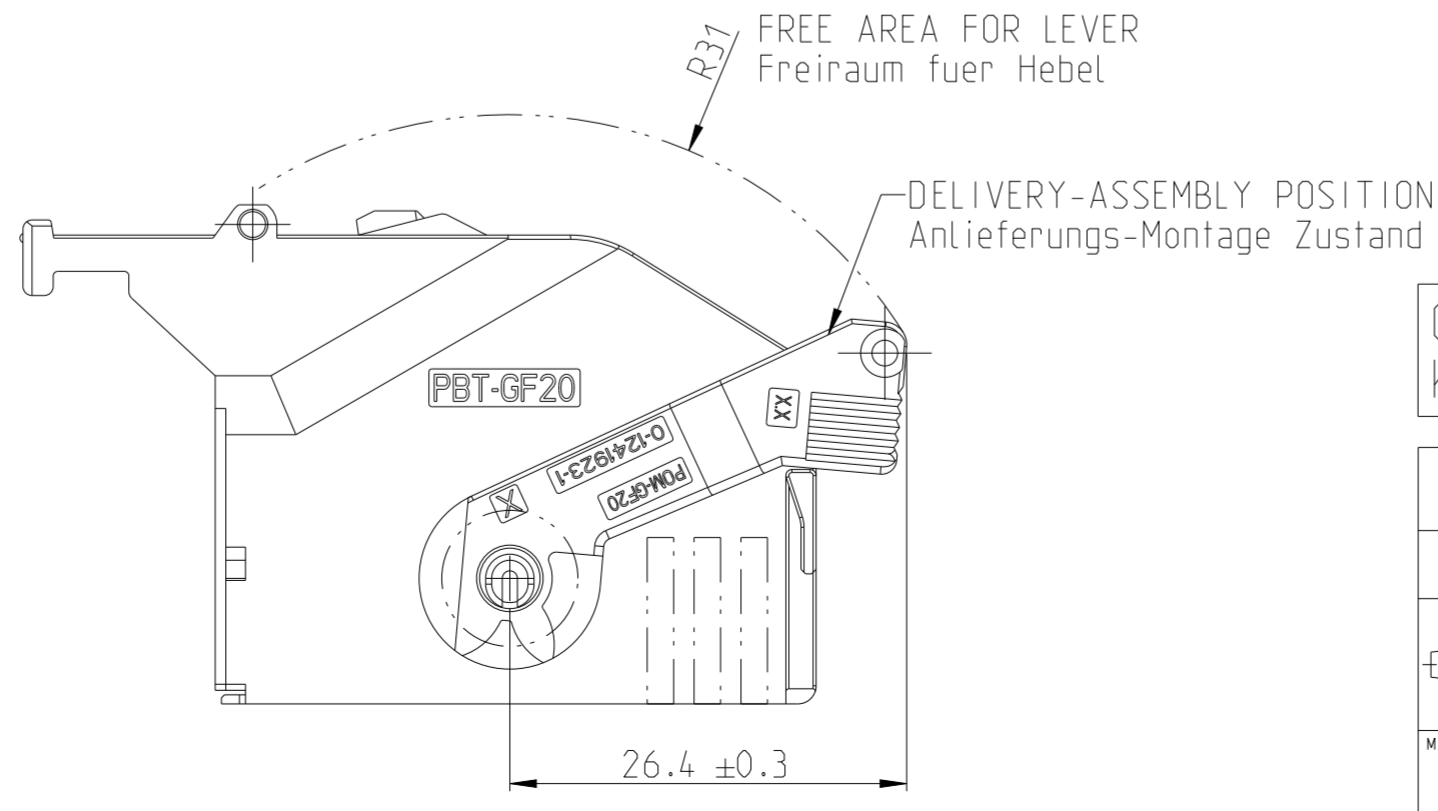
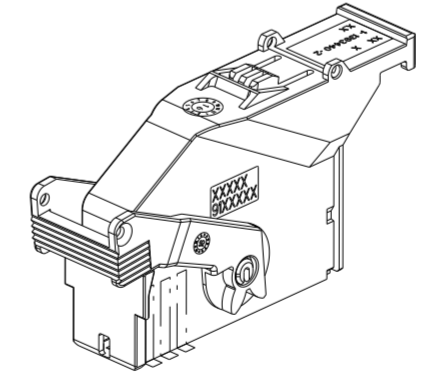
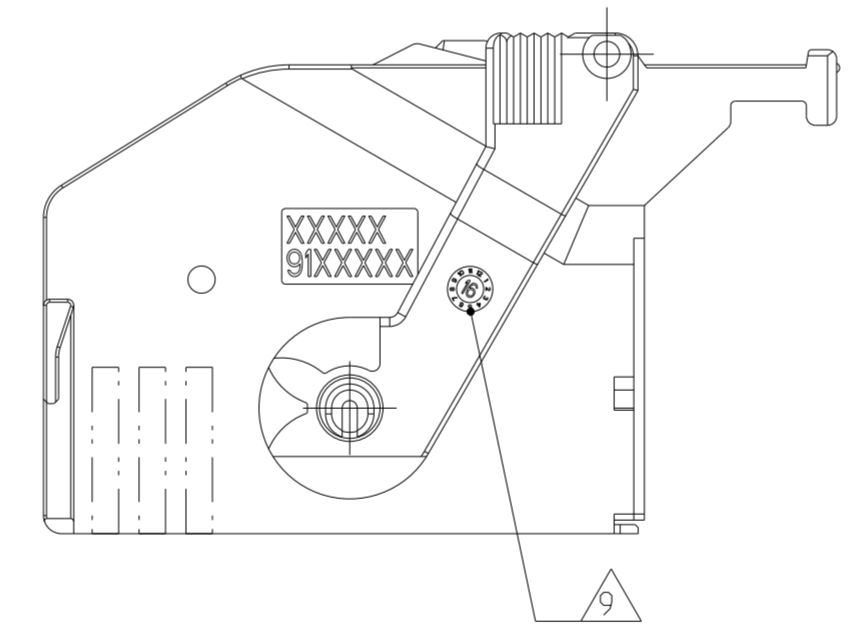
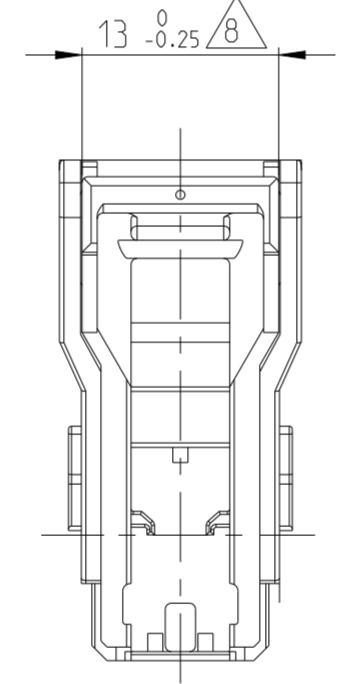
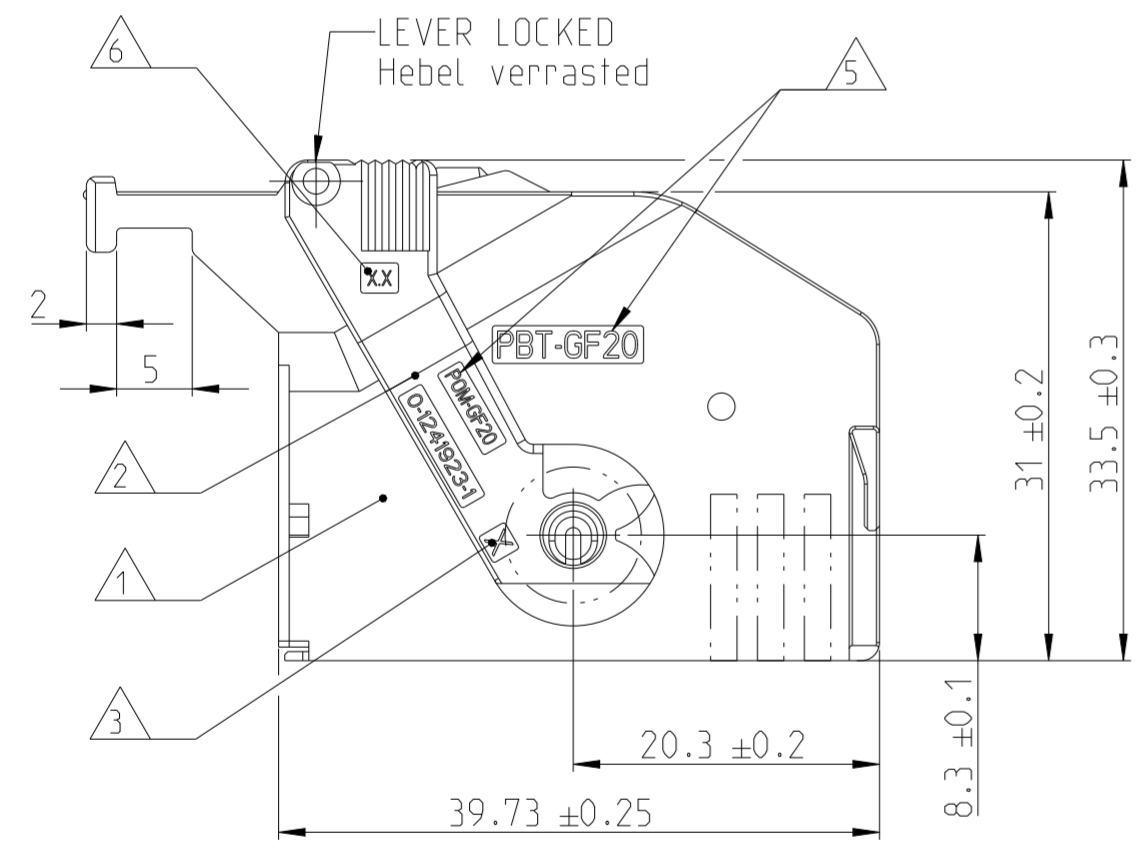
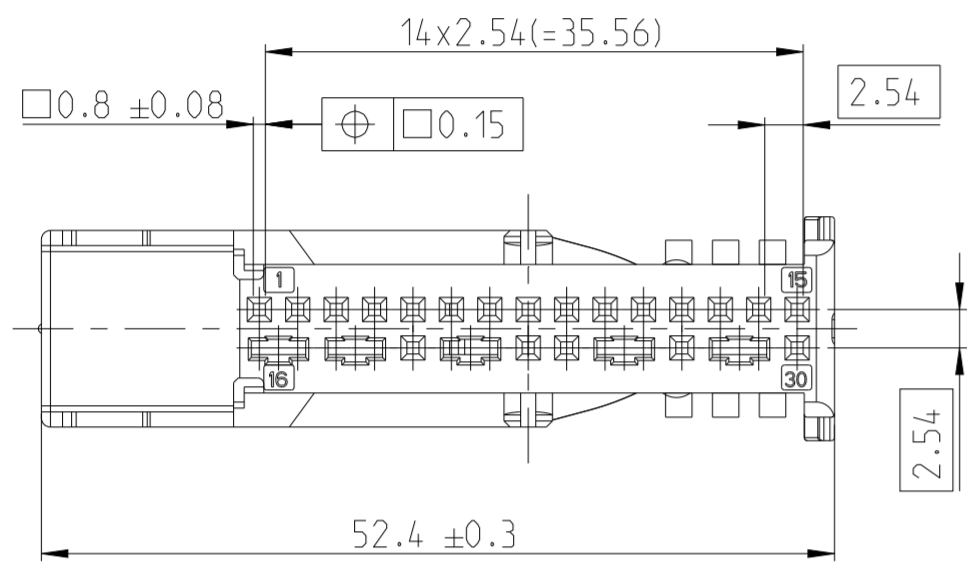


Y	QTY	TE PN	REV.	ASSEMBLY	REV.	GEOMETRY	COLOR	WEIGHT
Y554						A - F	MELON YELLOW /melonengelb	1028
Y551	3	3-1393440-3	B			C - F	MELON YELLOW /melonengelb	1028
Y549						D - E	MELON YELLOW /melonengelb	1028
Y547						D - F	MELON YELLOW /melonengelb	1028
Y546						B - H	MELON YELLOW /melonengelb	1028
Y544	3	3-1393440-2	B			C - H	MELON YELLOW /melonengelb	1028
Y541	3	3-1393440-1	B			C - G	MELON YELLOW /melonengelb	1028
Y515	3	1-1393440-4	B			B - E	LIGHT PINK/hellrosa	3015
Y513						C - E	HEATHER VIOLET/erikaviolett	4003
Y512	3	1-1393440-3	B			A - G	GREY WHITE/grauweiss	9002
Y510						B - G	CURRY/currygelb	1027
Y508						A - H	BEIGE/beige	1001
Y502						B - F	NATURAL/natur	--
Y500	3	1-1393440-2	B			D - H	PURE ORANGE/reinorange	2004
V23540-M1030-PART NO./Teile Nr. SIEMENS		REV.	TE PN ASSEMBLY Zusammenbau	REV.	GEOMETRY Geometrie	COLOR Farbe	1	SIMILAR TO RAL-NO. aehnlich RAL-Nr.
CODING/Kodierung								

NOTES
 Bemerkungen

- 1 COVER, COLOR SEE TABLE.
Abdeckkappe, Farbe siehe Tabelle.
- 2 LEVER, COLOR NATURAL
Hebel, Farbe natur
- 3 PART REVISION
Teile Revision
- 4 TE PART NO. ASSEMBLY ACCORDING TO PARTS LIST
TE-Teile Nr. Zusammenbau (ASSY) entsprechend Stueckliste
- 5 MATERIAL IDENTIFICATION
Materialkennzeichnung
- 6 CAVITY MARKING
Nestmarkierung
- 7 TE LOGO
TE Logo
- 8 COVER DIMENSION IN LEVER AREA
Abdeckkappenmass im Hebelbereich
- 9 PRODUCTION DATE
Produktionsdatum
- 10 LENGTH: DIN 16901-130; ANGLES, FORM AND POS.: DIN ISO 2768-mH
Laengen: DIN 16901-130; Winkel, Form und Lage: DIN ISO 2768-mH
- 11 REPLACES DRAWING-NO. V23540-M1030-Y500/Y520-*-7427
Ersetzt Zeichnung-Nr. V23540-M1030-Y500/Y520-*-7427
- 12 CODING D-H AS SHOWN
Kodierung D-H wie gezeichnet

DRAWN WITHOUT LEVER
 ohne Hebel gezeichnet

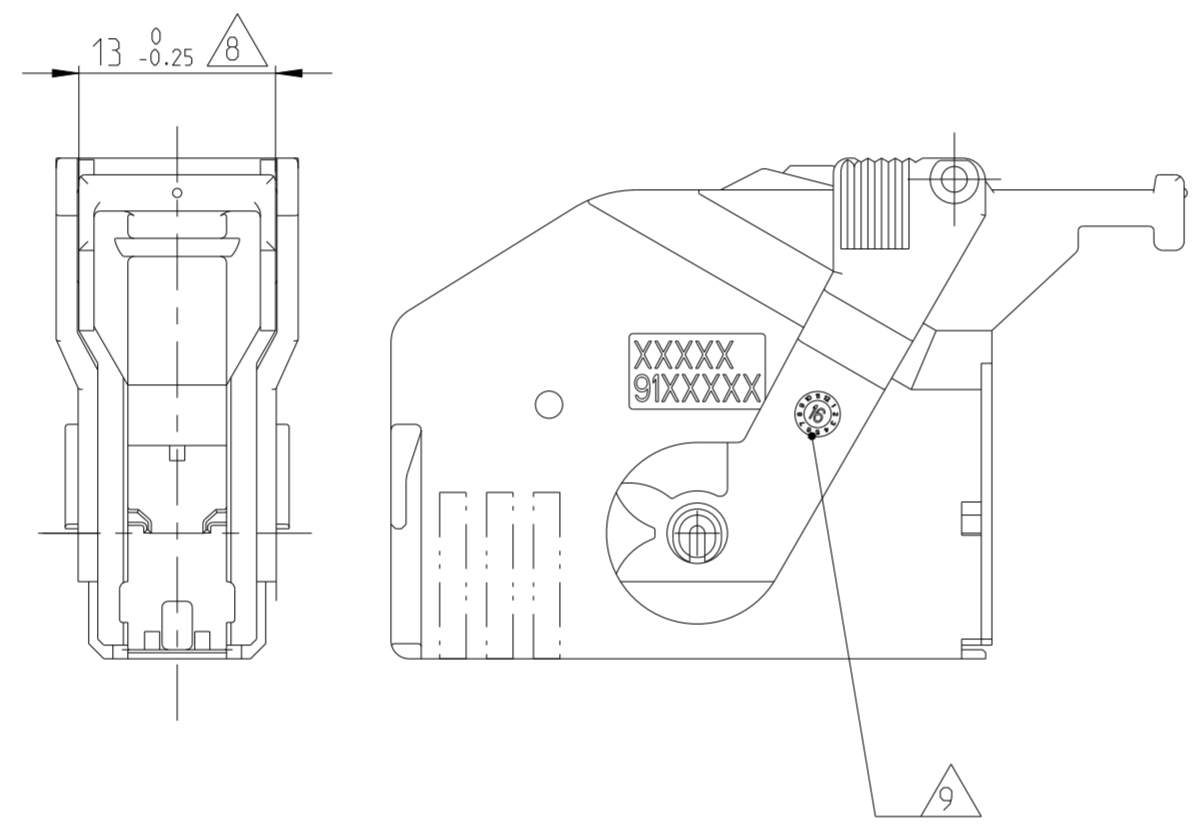
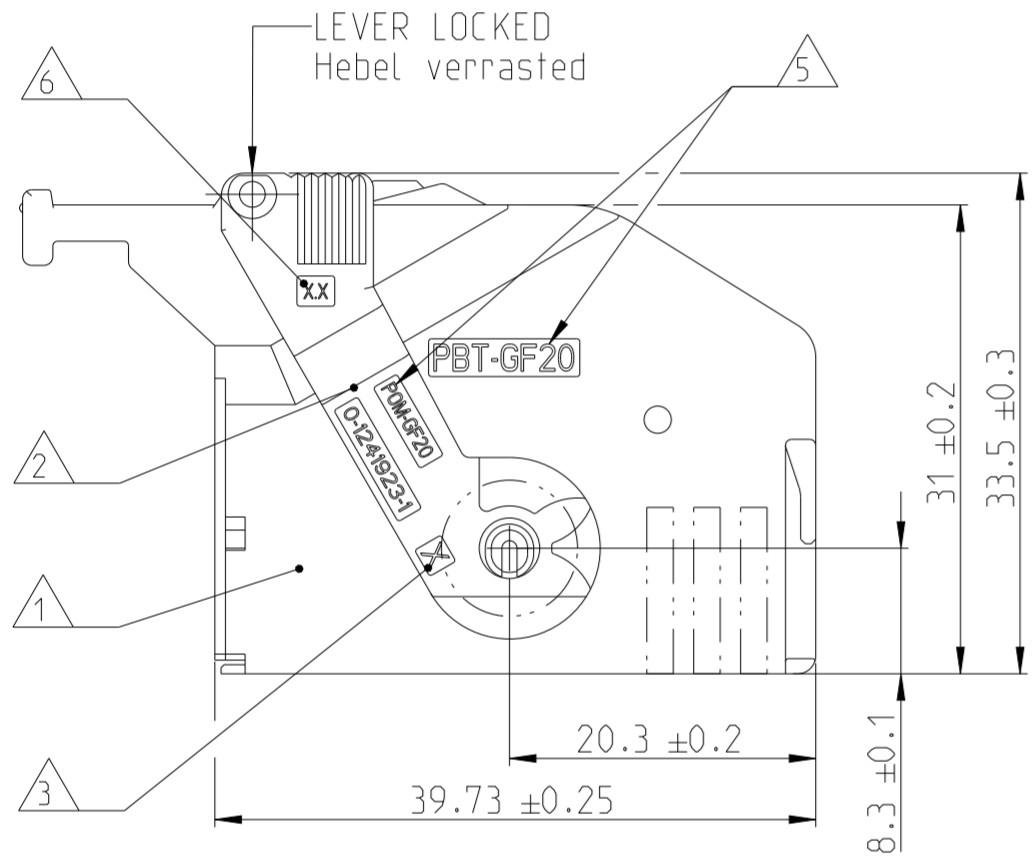
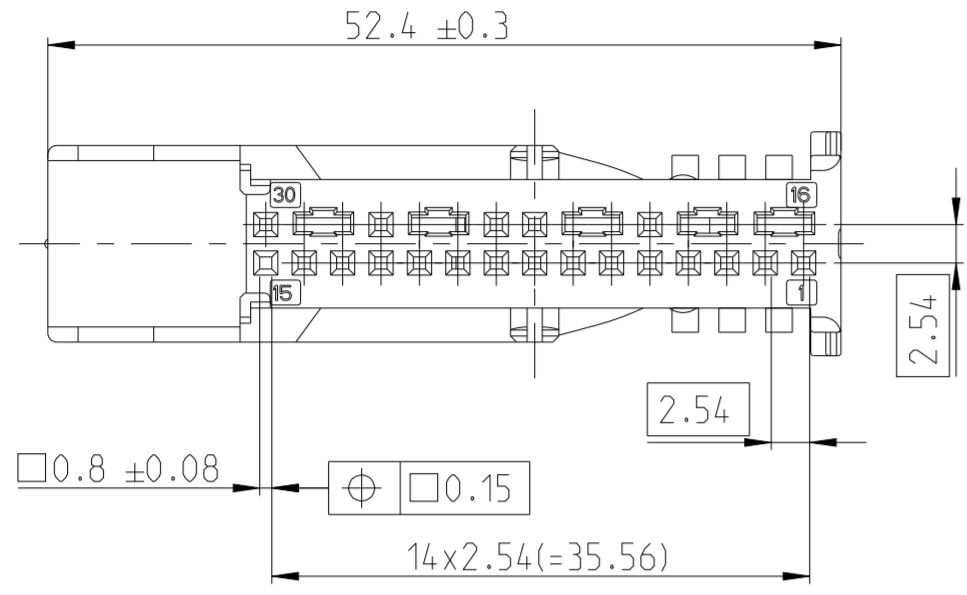


CABLE OUTLET RIGHT
 Kabelabgang rechts

THIS DRAWING IS A CONTROLLED DOCUMENT.		DWN Abraham, G. 17JAN2003	TE Connectivity	
DIMENSIONS: mm		CHK Zitz, A. 20JAN2003		
TOLERANCES UNLESS OTHERWISE SPECIFIED:		APVD Bleicher, M. 21JAN2003	NAME PROT. COVER 30 POS. SHORT CIRCUIT Abdeckkappe 30 pol. Kurzschluss	
0 PLC ±		PRODUCT SPEC	SIZE A2	
1 PLC ±		APPLICATION SPEC	CAGE CODE 00779	
2 PLC ±		WEIGHT 6.3 g	DRAWING NO C-1393440	
3 PLC ±		CUSTOMER DRAWING	RESTRICTED TO	
4 PLC ±		SCALE 5:1	SHEET 1 OF 2	
ANGLES ±			REV B1	
FINISH -				

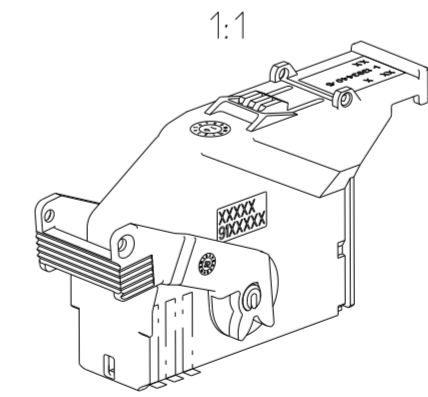
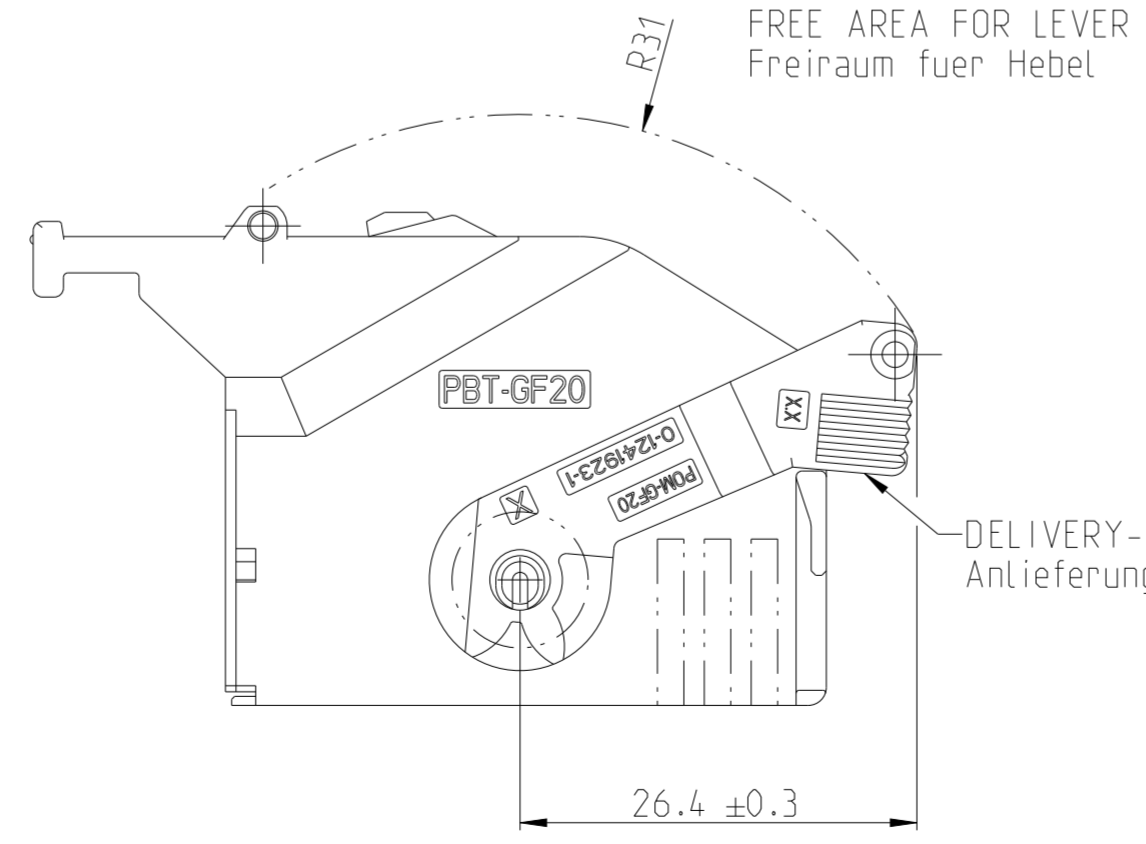
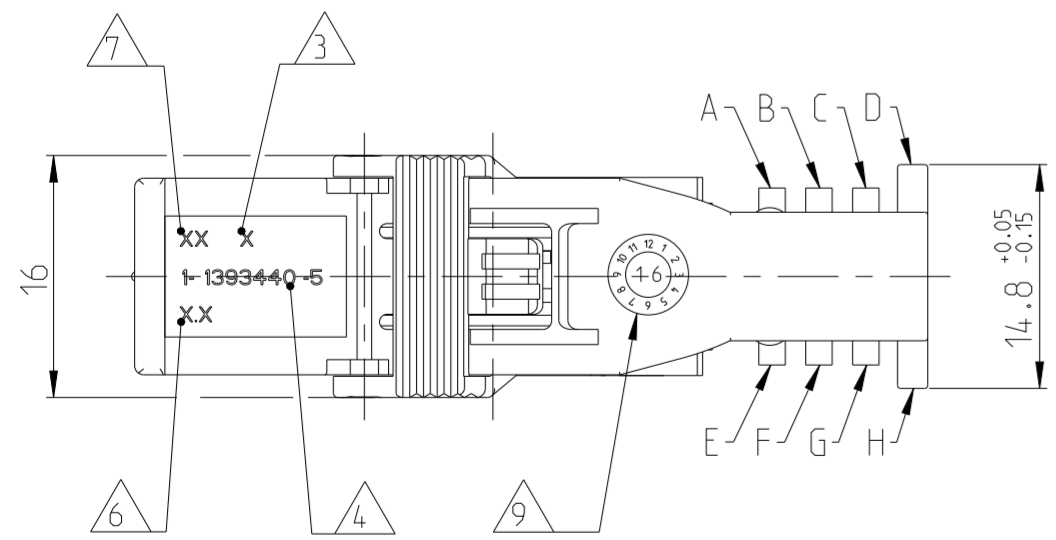
REVISIONS					
P	LTR	DESCRIPTION	DATE	DWN	APVD
		SEE SHEET 1			

DRAWN WITHOUT LEVER
ohne Hebel gezeichnet



B1 OBSOLETE

Y588				F - H	LIGHT IVORY/hellelfenbein	1015
Y587	6	3-1393440-6	B	E - H	NUT BROWN/nussbraun	8011
Y586	6	3-1393440-5	B	E - G	LIGHT PINK/hellrosa	3015
Y575	6	3-1393440-4	B	D - G	MELON YELLOW/melonengelb	1028
Y574				C - H	MELON YELLOW/melonengelb	1028
Y539				A - C	ROSE/rose	3017
Y538	6	3-1393440-0	B	B - D	WINE RED/weinrot	3005
Y537	6	2-1393440-9	B	A - D	LIGHT GREY/lichtgrau	7035
Y535				B - E	LIGHT PINK/hellrosa	3015
Y534	6	2-1393440-8	B	A - F	BLUE LILAC/blaulila	4005
Y533	6	2-1393440-7	B	C - E	HEATHER VIOLET/erikaviolett	4003
Y532				A - G	GREY WHITE/grauweiss	9002
Y531	6	2-1393440-6	B	C - F	LEAF GREEN/laubgruen	6002
Y530	6	2-1393440-5	B	B - G	CURRY/currygelb	1027
Y529	6	2-1393440-4	B	D - E	TURQUOISE BLUE/tuerkisblau	5018
Y528	6	2-1393440-3	B	A - H	BEIGE/beige	1001
Y527	6	2-1393440-2	B	D - F	PLATINUM GREY/platingrau	7036
Y526	6	2-1393440-1	B	B - H	CLAY BROWN/lehmbraun	8003
Y525	6	2-1393440-0	B	D - G	SIGNAL GREEN/signalgruen	6032
Y524	6	1-1393440-9	B	C - H	TRAFFIC YELLOW/verkehrsgelb	1023
Y523	6	1-1393440-8	B	A - E	LIGHT BLUE/lichtblau	5012
Y522	6	1-1393440-7	B	B - F	NATURAL/natur	--
Y521	6	1-1393440-6	B	C - G	JET BLACK/tiefschwarz	9005
Y520	6	1-1393440-5	B	D - H	PURE ORANGE/reinorange	2004
V23540-M1030- PART NO./ Teile Nr. SIEMENS	REV.	TE PN ASSEMBLY Zusammenbau	REV.	GEOMETRY Geometrie	COLOR Farbe	SIMILAR TO RAL-NO. aehnlich RAL-Nr.
CODING/Kodierung						



CABLE OUTLET LEFT
Kabelabgang links

NOTES:
Bemerkungen:

SEE SHEET 1
Siehe Blatt 1

THIS DRAWING IS A CONTROLLED DOCUMENT.		DWN Abraham, G. 17 JAN 2003	TE Connectivity			
DIMENSIONS: mm		CHK Zitz, A. 20 JAN 2003				
TOLERANCES UNLESS OTHERWISE SPECIFIED:		APVD Bleicher, M. 21 JAN 2003	NAME PROT. COVER 30 POS. SHORT CIRCUIT Abdeckkappe 30 pol. Kurzschluss			
0 PLC ± 1 PLC ± 2 PLC ± 3 PLC ± 4 PLC ± ANGLES ± FINISH ±		PRODUCT SPEC APPLICATION SPEC WEIGHT 6.3 g	SIZE A2	CAGE CODE 00779	DRAWING NO C-1393440	RESTRICTED TO -
MATERIAL		CUSTOMER DRAWING	SCALE 5:1	SHEET 2 OF 2	REV B1	