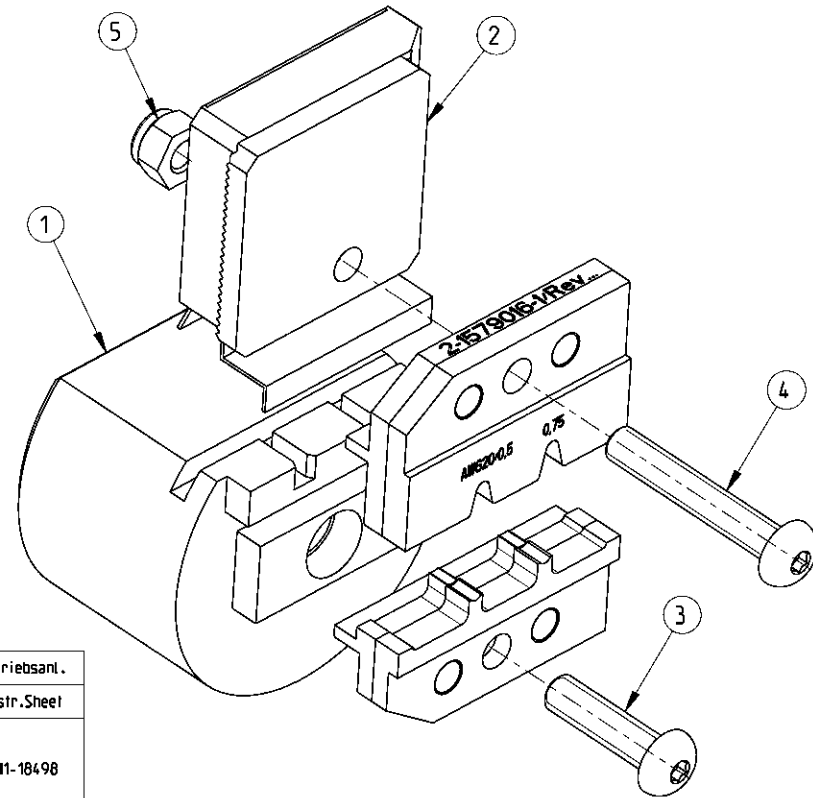


THIS DRAWING IS UNPUBLISHED. RELEASED FOR PUBLICATION 2009  
 © COPYRIGHT 2009 BY TYCO ELECTRONICS CORPORATION. ALL INTERNATIONAL RIGHTS RESERVED.

LOC	DIST	REVISIONS					
		P	LTR	DESCRIPTION	DATE	DWN	APVD
AI	-		A	INITIAL REVISION	29JAN2010	wi	wi

Matrize in Kombination mit Ergocrimp Basishandzange TE PN 539635-1 verwenden  
 Use die in combination with Ergocrimp basis hand tool TE PN 539635-1

Matrize im Karton mit Bedienungsanleitung 411-18498 verpackt  
 Die packed in a cardboard with instruction sheet 411-18498



2-1579016-1	1	1-0744014-1	Instruction Sheet	Bedienungsanleitung	6
	1	0-0519024-2	Nut M4 DIN 985	Mutter M4 DIN 985	5
	1	1-0519151-3	Screw M4x25	Schraube M4x25	4
	1	1-0519151-1	Screw M4x16	Schraube M4x16	3
	1	4-1579005-3	Locator Assembly	Drahtanschlag	2
	1	1-1579005-8	Contact Locator	Kontaktpositionierer	1
	QTY	PN	Description	Benennung	Pos.
	Stck				

Kontakt	AWG (mm <sup>2</sup> )	Drahtcrimp / Wire Crimp		Isolationcrimp/Insulationcrimp		Isol.Ø	Betriebsanl.
Contact	Wire Range	Hoehe/Height mm	Breite/Width mm	Hoehe/Height mm	Breite/Width mm	Ins.Range	Instr.Sheet
1670145	AWG20/0.50	0.84 ±0.03	1.57 F	2.05 max.	1.83 0	1.4-1.6	411-18498
	0.75	0.95 ±0.03		2.05 max.		1.7-1.9	
	-----	-----		-----		-----	

<small>THIS DRAWING IS A CONTROLLED DOCUMENT FOR TYCO ELECTRONICS CORPORATION                  IT IS SUBJECT TO CHANGE AND THE CONTROLLING ENGINEERING ORGANIZATION                  SHOULD BE CONTACTED FOR THE LATEST REVISION.</small>		DWN <b>C.Witt</b> 29JAN2010 CHK <b>C.Witt</b> 29JAN2010 APVD - PRODUCT SPEC - APPLICATION SPEC - WEIGHT 200 g	Tyco Electronics Tyco Electronics AMP GmbH D - 64625 Bensheim
DIMENSIONS: mm 	TOLERANCES UNLESS OTHERWISE SPECIFIED: 0 PLC ± 1 PLC ± 2 PLC ± 3 PLC ± 4 PLC ± ANGLES ±1°	NAME <b>ERGOCRIMP DIE SET MCON 1.2 CLEAN BODY</b> <b>Ergocrimp Matrize MCON 1.2 Clean Body</b>	RESTRICTED TO -
MATERIAL	FINISH	SIZE A3 CAGE CODE 00779 DRAWING NO ©=2-1579016-1	SCALE 2:1 SHEET 1 OF 1 REV A
CUSTOMER DRAWING			